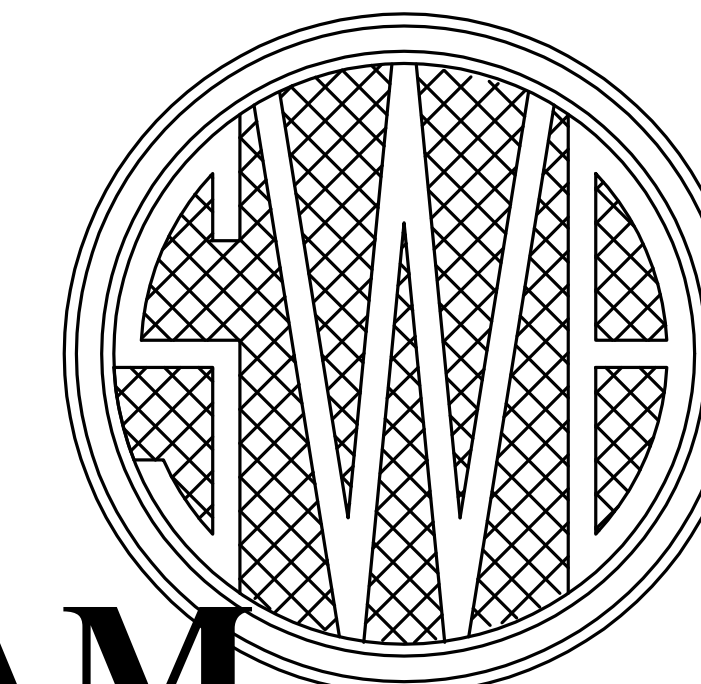
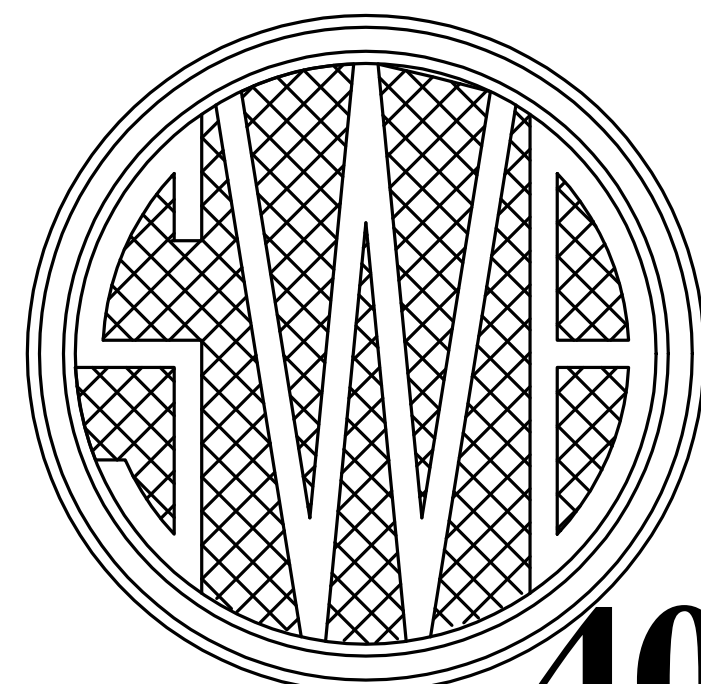


SEWERAGE AND WATER BOARD OF NEW ORLEANS



CONTRACT No. 3669

HURRICANE KATRINA RELATED 404 HAZARD MITIGATION GRANT PROGRAM REPLACEMENT OF SEWAGE LIFT STATION NO. 6

DRAWING INDEX

SHEET No.	DRAWING No.	Discipline	TITLE	SHEET No.	DRAWING No.	Discipline	TITLE
1	12037-W-63	GENERAL	TITLE SHEET	27A	12037-W-63	STRUCTURAL	WET WELL AND PUMP STATION
2	12037-W-63	GENERAL	LOCATION MAP/GENERAL NOTES				MISCELLANEOUS DETAILS
3	12037-W-63	CIVIL	SITE PLAN - EXISTING CONDITIONS AND DEMOLITION	28	12037-W-63	MECHANICAL	MECHANICAL EQUIPMENT LAYOUT PLAN
4	12037-W-63	CIVIL	SITE PLAN - REQUIRED STATION AND PIPING	29	12037-W-63	MECHANICAL	PIPING CROSS SECTION THROUGH
4A	12037-W-63	CIVIL	TRAFFIC CONTROL				STATION AND WET WELL
4B	12037-W-63	CIVIL	LANDSCAPE PLAN AND TREE PROTECTION DETAILS	30	12037-W-63	MECHANICAL	LONGITUDINAL SECTION
5	12037-W-63	CIVIL	SITE PAVING AND FENCING PLANS	31	12037-W-63	MECHANICAL	PIPING CROSS SECTION THROUGH
5A	12037-W-63	CIVIL	WOOD FENCING DETAILS				STATION AND MISCELLANEOUS DETAILS
5B	12037-W-63	CIVIL	METAL PICKET FENCING DETAILS	32	12037-W-63	MECHANICAL	WET WELL PLAN, SECTION AND DETAILS
6	12037-W-63	CIVIL	MISCELLANEOUS SITEWORK DETAILS	33	12037-W-63	--	REFERENCE DRAWING
7	12037-W-63	CIVIL	SEWER NOTES	34	12037-W-63	--	REFERENCE DRAWING
8	12037-W-63	ARCHITECTURAL	FLOOR FRAMING AND ROOF PLANS	35	12037-W-63	--	REFERENCE DRAWING
9	12037-W-63	ARCHITECTURAL	BUILDING ELEVATIONS	36	12037-W-63	--	REFERENCE DRAWING
10	12037-W-63	ARCHITECTURAL	BUILDING SECTIONS	37	12037-W-63	--	REFERENCE DRAWING
11	12037-W-63	ARCHITECTURAL	ARCHITECTURAL DETAILS	38	12037-W-63	--	REFERENCE DRAWING
12	12037-W-63	ARCHITECTURAL	ARCHITECTURAL DETAILS	39	12037-W-63	--	REFERENCE DRAWING
13	12037-W-63	STRUCTURAL	BORING LOGS	40	12037-W-63	--	REFERENCE DRAWING
14	12037-W-63	STRUCTURAL	STRUCTURAL NOTES	41	12037-W-63	--	REFERENCE DRAWING
15	12037-W-63	STRUCTURAL	PUMP PIT FOUNDATION PLAN AND SECTIONS	42	5031-P1	ELECTRICAL	ELECTRICAL - REQUIRED SITE PLAN
16	12037-W-63	STRUCTURAL	OPERATING FLOOR FRAMING AND GRATING PLAN	43	5031-P2	ELECTRICAL	ELEMENTARY, PNEUMATIC, CONTROL AND
17	12037-W-63	STRUCTURAL	CEILING LEVEL FRAMING AND ROOF PLAN				ONE LINE DIAGRAMS
18	12037-W-63	STRUCTURAL	FRAMING SECTION AND DETAILS - 1	44	5031-P3	ELECTRICAL	ELECTRICAL FLOOR PLAN, EXTERIOR WALL
19	12037-W-63	STRUCTURAL	FRAMING SECTION AND DETAILS - 2				ELEVATIONS AND DETAILS
20	12037-W-63	STRUCTURAL	PLATFORM AND STAIR FRAMING PLAN	45	5031-P4	ELECTRICAL	ELECTRICAL INTERIOR WALL ELEVATIONS
21	12037-W-63	STRUCTURAL	STAIR SECTION AND DETAILS				AND DETAILS
22	12037-W-63	STRUCTURAL	LADDER DETAILS	46	5031-P5	ELECTRICAL	AUTOMATION CONTROL PANEL
23	12037-W-63	STRUCTURAL	ROOF SECTION AND DETAILS				FABRICATION AND WIRING
24	12037-W-63	STRUCTURAL	PPC PILE AND MISCELLANEOUS DETAILS	47	5031-P6	ELECTRICAL	SCADA PANEL RISER DIAGRAM
25	12037-W-63	STRUCTURAL	WET WELL FOUNDATION PLAN AND DETAILS				AND DETAILS
26	12037-W-63	STRUCTURAL	WET WELL ELEVATION SECTION	48	5031-P7	ELECTRICAL	LIGHTNING PROTECTION PLAN AND DETAILS
26A	12037-W-63	STRUCTURAL	WET WELL DETAILS				
27	12037-W-63	STRUCTURAL	WET WELL AND PUMP STATION TRS				
			PLAN AND DETAILS				

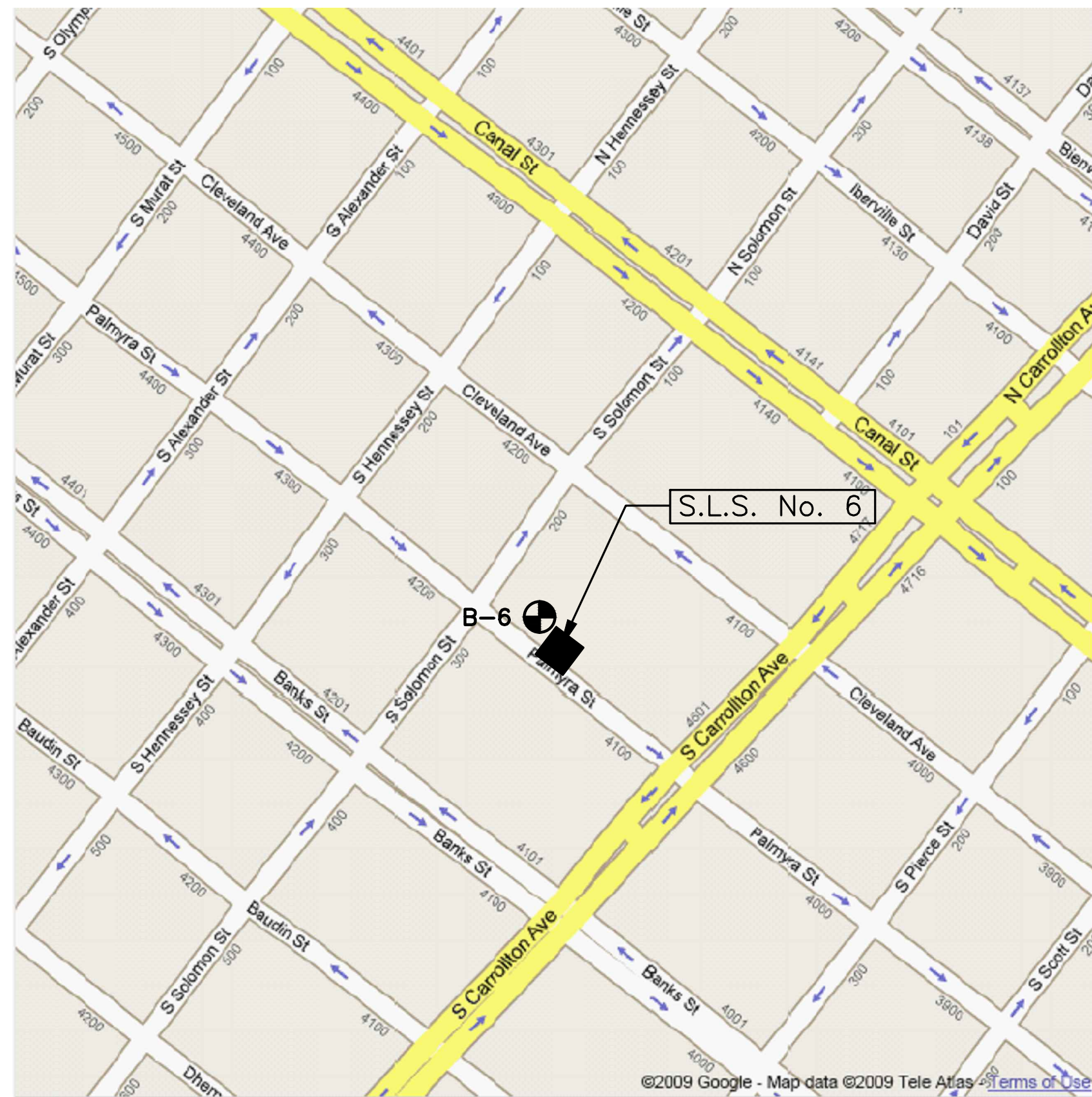


VICINITY MAP
AREA MAP NO SCALE



REV.	DATE	DESCRIPTION	BY
SEWERAGE AND WATER BOARD OF NEW ORLEANS			
CONTRACT 3669 HURRICANE KATRINA RELATED 404 HAZARD MITIGATION GRANT PROGRAM REPLACEMENT OF SEWAGE LIFT STATION NO. 6			
TITLE SHEET			
DR. TH/BD			
TRC. --			
CK. DS/CW			GENERAL SUPERINTENDENT
AP. JH			
SCALE: NONE			DWG. No. 12040-W-63
DATE: JANUARY 2012	SET NO.		SHEET NO. 1

PRINTED Aug 08, 2013 1:44pm FILENAME - J:\6005.1-COSHEP-2013\Contract 3669 - SPS No. 6\SH1_1_NO 6_Title_Sheet.dwg



242 SOUTH SOLOMON STREET
 LOCATION MAP - S.L.S. No. 6
 AREA MAP NO SCALE

NOTE:
 S.L.S. = SEWAGE LIFT STATION

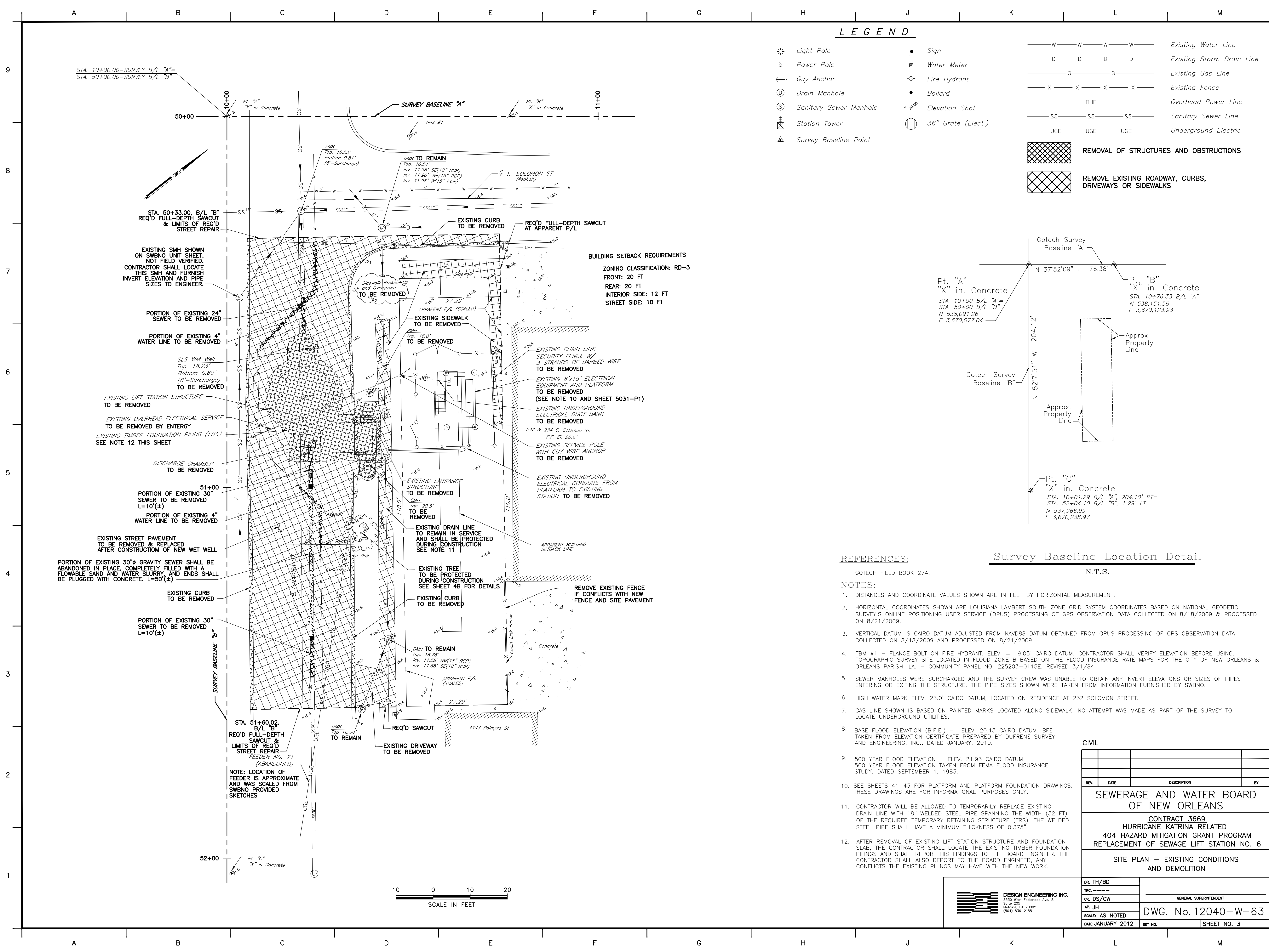
GENERAL NOTES:

1. THE CONTRACTOR SHALL VISIT THE SITE AND FAMILIARIZE HIMSELF WITH EXISTING SITE CONDITIONS IN ORDER TO OBTAIN A FULL UNDERSTANDING OF WORK TO BE DONE.
2. PRIOR TO ANY DEMOLITION, CLEARING AND OR EXCAVATION (IF NEEDED), THE CONTRACTOR SHALL LOCATE ALL UNDERGROUND UTILITIES BY CALLING LOUISIANA ONE CALL AT 1-800-272-3020.
3. CONTRACTOR SHALL BE RESPONSIBLE FOR ANY AND ALL DAMAGES CAUSED TO EXISTING STRUCTURES AND UTILITIES DURING CONSTRUCTION AT NO ADDITIONAL COST TO THE SWBNO.
4. CONTRACTOR SHALL CONTACT PROJECT MANAGER'S OFFICE IMMEDIATELY CONCERNING ANY CONFLICTS THAT ARISE DURING THE COURSE OF CONSTRUCTION ACTIVITIES.
5. THE EXISTING PUMPING STATION SHALL REMAIN IN SERVICE AS LONG AS POSSIBLE DURING CONSTRUCTION OF THE NEW STATION. WHEN THE EXISTING STATION IS NO LONGER OPERABLE, THE CONTRACTOR SHALL PROVIDE TEMPORARY BY-PASS PUMPING IN ACCORDANCE WITH SECTION 13 OF THE SPECIFICATIONS.
6. THE CONTRACTOR SHALL NOTIFY THE SWBNO AND THE PROGRAM MANAGER IF THEY PLAN TO WORK ON A SWBNO HOLIDAY OR A WEEKEND DAY. THE SWBNO HAS THE FINAL AUTHORIZATION ON WORK PERFORMED THAT IS NOT ON REGULAR WORK DAYS.
7. THE CONTRACTOR SHALL BE RESPONSIBLE FOR DETERMINING THE EXACT LOCATION, DEPTH, AND SIZE OF ALL UNDERGROUND UTILITIES AND STRUCTURES AND SHALL BE LIABLE FOR ANY DAMAGE CAUSED BY FAILURE TO COMPLY WITH THESE INSTRUCTIONS. PRIOR TO COMMENCING CONSTRUCTION, THE CONTRACTOR SHALL PERFORM EXPLORATORY EXCAVATIONS (POT-HOLING) TO DETERMINE THE LOCATION OF EXISTING UTILITIES AFFECTED BY THIS CONSTRUCTION AND SHALL REPORT HIS FINDINGS TO THE BOARD ENGINEER. THE CONTRACTOR SHALL INCLUDE IN HIS BID, EXPLORATORY EXCAVATIONS FOR A MINIMUM OF FIVE (5) LOCATIONS, HAVING A DEPTH RANGING FROM FIVE FEET TO TWELVE FEET.
8. ALL WORK SHALL CONFORM TO THE CITY OF NEW ORLEANS DEPARTMENT OF PUBLIC WORKS (CNO-DPW), THE SEWERAGE AND WATER BOARD OF NEW ORLEANS (SWBNO), LOUISIANA DEPARTMENT OF PUBLIC HOSPITALS (DHH) AND OCCUPATIONAL SAFETY AND HEALTH ADMINISTRATION (OSHA) STANDARDS.
9. THE CONTRACTOR IS RESPONSIBLE FOR REMOVAL OF DIRT AND DEBRIS FROM STREETS AND ROADWAYS AND PROJECT SITE GENERATED BY CONSTRUCTION ACTIVITIES.
10. THE CONTRACTOR IS RESPONSIBLE FOR REPAIRING ALL DAMAGE TO ADJACENT PAVEMENT AND FENCING WHICH RESULTS FROM THE CONTRACTOR'S CONSTRUCTION ACTIVITIES AT NO ADDITIONAL COST TO THE SWBNO.
11. CONTRACTOR SHALL CLEAN AND PAINT ALL EXPOSED SURFACES OF MECHANICAL EQUIPMENT, PIPING, PIPE SUPPORTS, AND OTHER ELEMENTS IN ACCORDANCE WITH SECTION 11 OF THE SPECIFICATIONS.
12. BUILDING SIZES AND MECHANICAL EQUIPMENT LAYOUTS INDICATED ON THESE DRAWINGS ARE BASED ON GORMAN-RUPP PUMPS AND GENERAL ELECTRIC MOTORS. CONTRACTOR SHALL VERIFY PUMP STATION DIMENSIONS WITH EQUIPMENT MANUFACTURER'S SHOP DRAWINGS TO ENSURE PROPER FIT WITHIN THE STRUCTURE.
13. CONTRACTOR SHALL PROTECT ADJACENT PROPERTY AND IMPROVEMENTS FROM DAMAGE AND REPLACE ANY PORTIONS DAMAGED THROUGH HIS OPERATION AT HIS OWN EXPENSE. ALL REPAIR WORK SHALL BE TO THE SATISFACTION OF THE SWBNO.
14. CONTRACTOR SHALL RE-GRADE ALL AREAS ALTERED BY CONSTRUCTION ACTIVITIES TO PROVIDE POSITIVE DRAINAGE. ALL WORK SHALL BE IN A MANNER ACCEPTABLE TO THE SWBNO.
15. CONTRACTOR SHALL PROVIDE A MINIMUM OF 48 HOURS ADVANCE NOTICE TO THOSE AFFECTED BY CONSTRUCTION ACTIVITIES THAT MAY DISRUPT WATER, SEWER, OR OTHER UTILITY SERVICES. UTILITY SERVICES SHALL BE PROMPTLY REPAIRED AND SHALL NOT REMAIN OUT OF SERVICE OVERNIGHT.
16. CONTRACTOR SHALL AT ALL TIMES CONDUCT HIS OPERATION TO ENSURE MINIMAL INCONVENIENCE TO THE GENERAL PUBLIC, ADJACENT PROPERTY OWNERS, AND BUSINESSES. CONTRACTOR SHALL PROVIDE AND MAINTAIN ACCESS TO ALL PROPERTIES AND TRAFFIC FLOW IN ROADWAYS AT ALL TIMES.
17. ALL GRASS AREAS ALTERED SHALL BE SEEDED, FERTILIZED, WATERED, AND MAINTAINED BY THE CONTRACTOR UNTIL FINAL ACCEPTANCE OF THE PROJECT. CONTRACTOR SHALL WATER DAILY FROM SEEDING UNTIL 2 WEEKS AFTER GERMINATION.
18. THE CONTRACTOR SHALL CONTACT THE FOLLOWING ENTITIES AT LEAST FIVE (5) WORKING DAYS PRIOR TO BEGINNING CONSTRUCTION ACTIVITIES:
 SEWERAGE AND WATER BOARD OF NEW ORLEANS
 BKI: DENNIS GARRARD 504-486-5901
 LOUISIANA ONE CALL - 1-800-272-3020
19. ALL MISCELLANEOUS METAL WORK, INCLUDING PIPE SUPPORTS AND BRACKETS TO BE INSTALLED WITHIN THE WET WELL SHALL BE MANUFACTURED ENTIRELY OF TYPE 316 STAINLESS STEEL. LIKEWISE, ALL FASTENERS, INCLUDING ANCHOR BOLTS INSTALLED WITHIN THE WET WELL SHALL BE MANUFACTURED OF STAINLESS STEEL. THREADS OF ALL STAINLESS STEEL FASTENERS SHALL BE TREATED WITH AN ANTI-SEIZE COMPOUND FORMULATED FOR USE WITH STAINLESS STEEL, SUCH AS "PURE NICKEL SPECIAL ANTI SEIZE COMPOUND", MANUFACTURED BY "NEVER-SEEZ", OR EQUAL.
20. COMPLETED INSTALLATION SHALL COMPLY WITH ALL APPLICABLE LAWS, LOCAL CODES, AND THE LATEST EDITION OF THE NATIONAL ELECTRICAL CODE.
21. ALL ELECTRICAL EQUIPMENT SHALL BE FURNISHED AND INSTALLED OR RELOCATED FROM EXISTING FACILITIES, IN ACCORDANCE WITH SECTION 15 OF THE SPECIFICATIONS.
22. NAMEPLATES CONTAINING PERTINENT DATA SHALL BE INSTALLED ON ALL THE EQUIPMENT THAT IS INSTALLED BY THE CONTRACTOR.
23. TESTING SHALL BE PERFORMED BY QUALIFIED TESTING AGENCIES AND FIELD SERVICE COMPANIES AS NECESSARY TO AUGMENT THE CONTRACTOR'S OWN CAPABILITIES. TESTING AND REPORTING METHODS SHALL COMPLY WITH APPLICABLE CITY OF NEW ORLEANS STANDARDS. ALL TEST RESULTS SHALL BE PUBLISHED ON THE CONTRACTOR'S OR TESTING COMPANY'S LETTERHEAD OR TEST FORMS BEARING THE LEGAL NAME AND ADDRESS OF THE COMPANY.
24. THE NEW STRUCTURES SHOWN ARE TO BE TIED INTO EXISTING PIPING. THE CONTRACTOR SHALL FIELD VERIFY ALL EXISTING CONDITIONS SHOWN ON THE DRAWINGS THAT RELATE TO NEW WORK. THE CONTRACTOR SHALL NOTIFY THE ENGINEER OF ANY DISCREPANCIES PRIOR TO FABRICATION OR CONSTRUCTION.
25. CITY OF NEW ORLEANS DEPARTMENT OF PUBLIC WORKS (CNO-DPW) STANDARD DRAWINGS ARE AVAILABLE FROM THE CNO-DPW ENGINEERING DIVISION, CITY HALL, 1300 PERDIDO STREET, ROOM 6W03, NEW ORLEANS, LOUISIANA 70012, OR ONLINE AT www.nola.gov.

REV.	DATE	DESCRIPTION	BY
SEWERAGE AND WATER BOARD OF NEW ORLEANS			
CONTRACT 3669 HURRICANE KATRINA RELATED 404 HAZARD MITIGATION GRANT PROGRAM REPLACEMENT OF SEWAGE LIFT STATION NO. 6			
LOCATION MAP/GENERAL NOTES			
DR. TH/BD			
TRC. --			
CK. DS/CW			
AP. JH			
SCALE NONE			
DATE: JANUARY 2012	SET NO.		

DESIGN ENGINEERING INC.
 3330 West Esplanade Ave. S.
 Suite 205
 Metairie, LA 70002
 (504) 836-2155

GENERAL SUPERINTENDENT
 DWG. No. 12040-W-63
 SHEET NO. 2

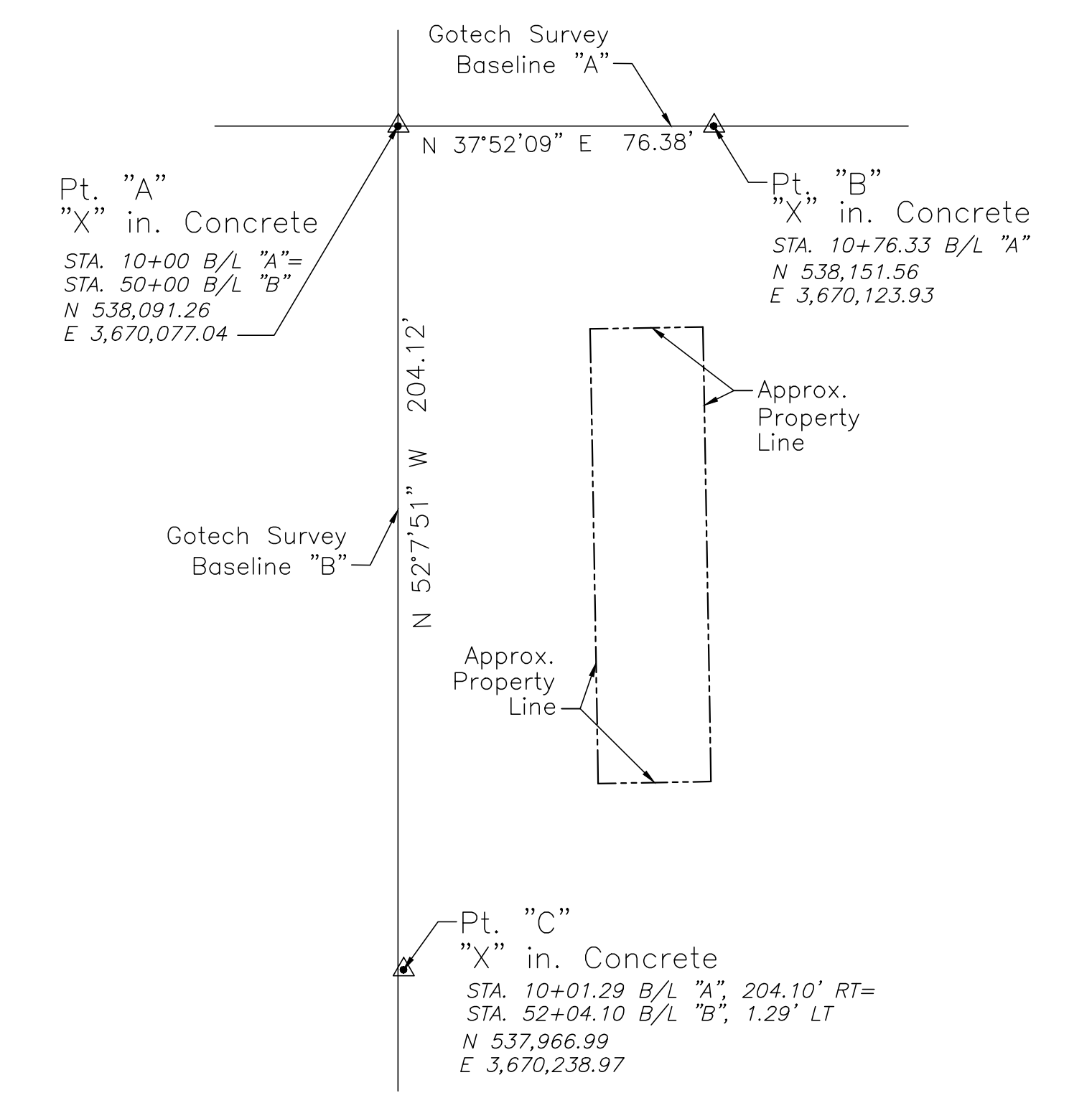


LEGEND

- ☼ Light Pole
- ⊕ Power Pole
- ← Guy Anchor
- ⊙ Drain Manhole
- ⊙ Sanitary Sewer Manhole
- ⊕ Station Tower
- ▲ Survey Baseline Point
- ▬ Sign
- ⊕ Water Meter
- ⊕ Fire Hydrant
- Bollard
- + 20.08 Elevation Shot
- ⊕ 36" Grate (Elect.)
- W — W — W — W — Existing Water Line
- D — D — D — D — Existing Storm Drain Line
- G — G — G — G — Existing Gas Line
- X — X — X — X — Existing Fence
- DHE — Overhead Power Line
- SS — SS — SS — Sanitary Sewer Line
- UGE — UGE — UGE — Underground Electric

- REMOVAL OF STRUCTURES AND OBSTRUCTIONS
- REMOVE EXISTING ROADWAY, CURBS, DRIVEWAYS OR SIDEWALKS

BUILDING SETBACK REQUIREMENTS
ZONING CLASSIFICATION: RD-3
 FRONT: 20 FT
 REAR: 20 FT
 INTERIOR SIDE: 12 FT
 STREET SIDE: 10 FT



REFERENCES:

GOTECH FIELD BOOK 274.

NOTES:

1. DISTANCES AND COORDINATE VALUES SHOWN ARE IN FEET BY HORIZONTAL MEASUREMENT.
2. HORIZONTAL COORDINATES SHOWN ARE LOUISIANA LAMBERT SOUTH ZONE GRID SYSTEM COORDINATES BASED ON NATIONAL GEODETIC SURVEY'S ONLINE POSITIONING USER SERVICE (OPUS) PROCESSING OF GPS OBSERVATION DATA COLLECTED ON 8/18/2009 & PROCESSED ON 8/21/2009.
3. VERTICAL DATUM IS CAIRO DATUM ADJUSTED FROM NAVD88 DATUM OBTAINED FROM OPUS PROCESSING OF GPS OBSERVATION DATA COLLECTED ON 8/18/2009 AND PROCESSED ON 8/21/2009.
4. TBM #1 - FLANGE BOLT ON FIRE HYDRANT, ELEV. = 19.05' CAIRO DATUM. CONTRACTOR SHALL VERIFY ELEVATION BEFORE USING. TOPOGRAPHIC SURVEY SITE LOCATED IN FLOOD ZONE B BASED ON THE FLOOD INSURANCE RATE MAPS FOR THE CITY OF NEW ORLEANS & ORLEANS PARISH, LA. - COMMUNITY PANEL NO. 225203-0115E, REVISED 3/1/84.
5. SEWER MANHOLES WERE SURCHARGED AND THE SURVEY CREW WAS UNABLE TO OBTAIN ANY INVERT ELEVATIONS OR SIZES OF PIPES ENTERING OR EXITING THE STRUCTURE. THE PIPE SIZES SHOWN WERE TAKEN FROM INFORMATION FURNISHED BY SWBNO.
6. HIGH WATER MARK ELEV. 23.0' CAIRO DATUM, LOCATED ON RESIDENCE AT 232 SOLOMON STREET.
7. GAS LINE SHOWN IS BASED ON PAINTED MARKS LOCATED ALONG SIDEWALK. NO ATTEMPT WAS MADE AS PART OF THE SURVEY TO LOCATE UNDERGROUND UTILITIES.
8. BASE FLOOD ELEVATION (B.F.E.) = ELEV. 20.13 CAIRO DATUM. BFE TAKEN FROM ELEVATION CERTIFICATE PREPARED BY DUFRENE SURVEY AND ENGINEERING, INC., DATED JANUARY, 2010.
9. 500 YEAR FLOOD ELEVATION = ELEV. 21.93 CAIRO DATUM. 500 YEAR FLOOD ELEVATION TAKEN FROM FEMA FLOOD INSURANCE STUDY, DATED SEPTEMBER 1, 1983.
10. SEE SHEETS 41-43 FOR PLATFORM AND PLATFORM FOUNDATION DRAWINGS. THESE DRAWINGS ARE FOR INFORMATIONAL PURPOSES ONLY.
11. CONTRACTOR WILL BE ALLOWED TO TEMPORARILY REPLACE EXISTING DRAIN LINE WITH 18" WELDED STEEL PIPE SPANNING THE WIDTH (32 FT) OF THE REQUIRED TEMPORARY RETAINING STRUCTURE (TRS). THE WELDED STEEL PIPE SHALL HAVE A MINIMUM THICKNESS OF 0.375".
12. AFTER REMOVAL OF EXISTING LIFT STATION STRUCTURE AND FOUNDATION SLAB, THE CONTRACTOR SHALL LOCATE THE EXISTING TIMBER FOUNDATION PILING AND SHALL REPORT HIS FINDINGS TO THE BOARD ENGINEER. THE CONTRACTOR SHALL ALSO REPORT TO THE BOARD ENGINEER, ANY CONFLICTS THE EXISTING PILING MAY HAVE WITH THE NEW WORK.

CIVIL

REV.	DATE	DESCRIPTION	BY

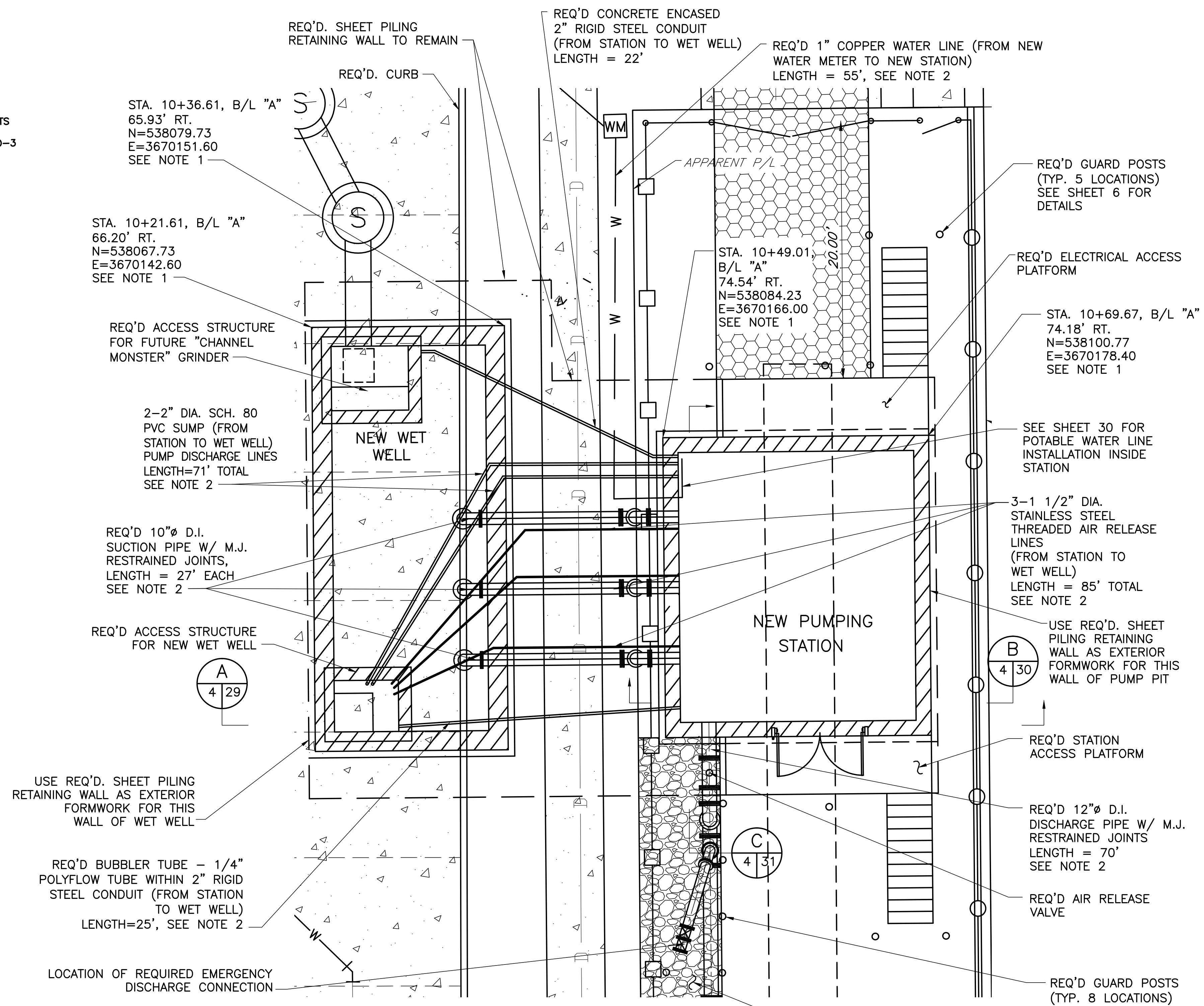
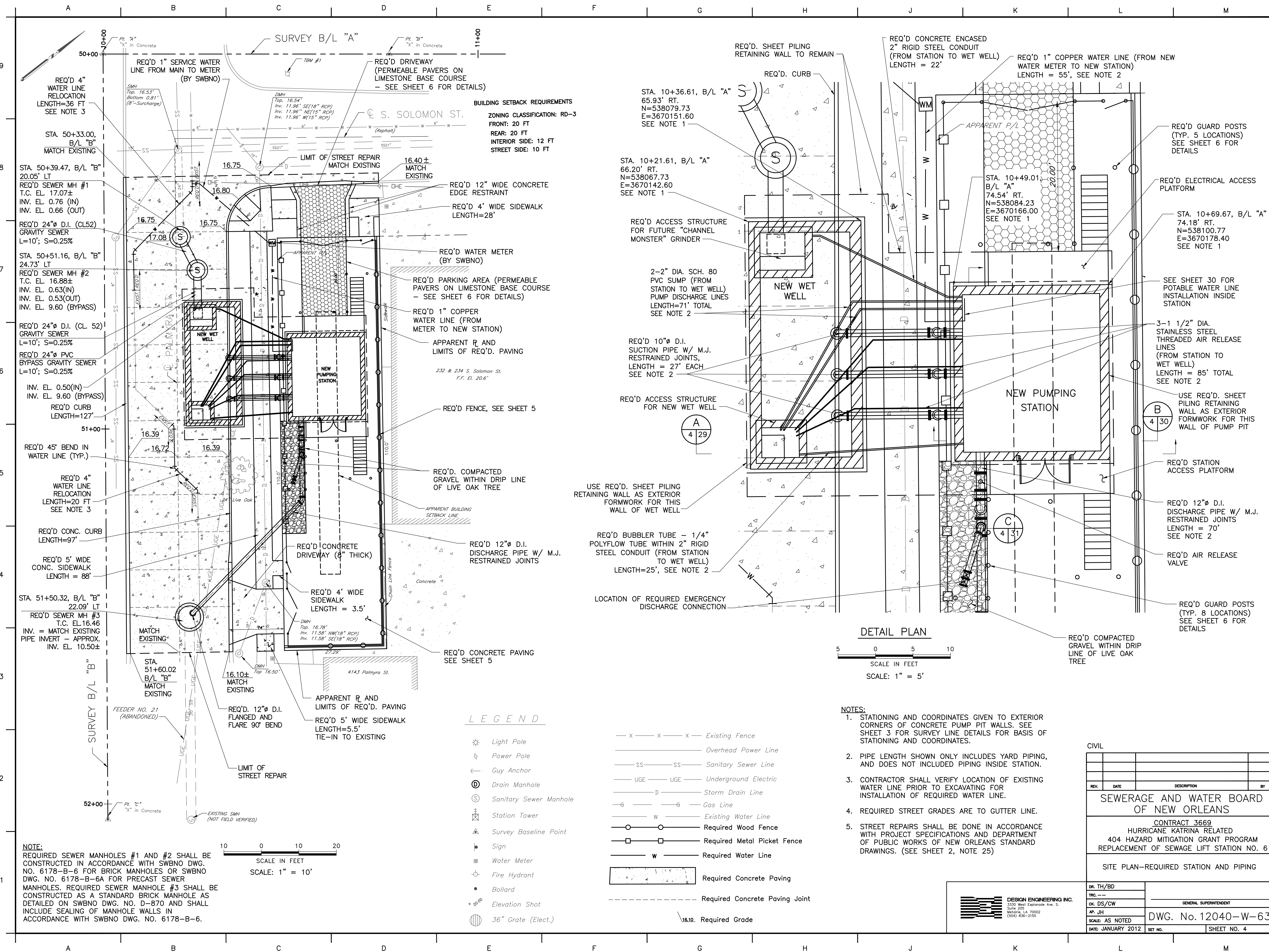
SEWERAGE AND WATER BOARD OF NEW ORLEANS

CONTRACT 3669
 HURRICANE KATRINA RELATED
 404 HAZARD MITIGATION GRANT PROGRAM
 REPLACEMENT OF SEWAGE LIFT STATION NO. 6

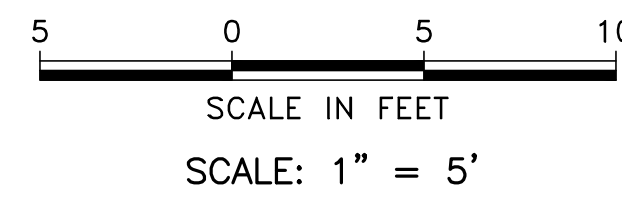
SITE PLAN - EXISTING CONDITIONS AND DEMOLITION

DR. TH/BD	
TRC. ---	
CK. DS/CW	GENERAL SUPERINTENDENT
AP. JH	
SCALE: AS NOTED	DWG. No. 12040-W-63
DATE: JANUARY 2012	SHEET NO. 3

DESIGN ENGINEERING INC.
 3330 West Esplanade Ave. S.
 Suite 205
 Metairie, LA 70002
 (504) 836-2155



DETAIL PLAN



SCALE IN FEET
SCALE: 1" = 5'

LEGEND

- ☼ Light Pole
- ⊕ Power Pole
- ← Guy Anchor
- ⊕ Drain Manhole
- ⊙ Sanitary Sewer Manhole
- ⊕ Station Tower
- ⊕ Survey Baseline Point
- ⊕ Sign
- ⊕ Water Meter
- ⊕ Fire Hydrant
- Ballard
- + Elevation Shot
- ⊕ 36" Grate (Elect.)
- x - x - x - Existing Fence
- Overhead Power Line
- SS — SS — Sanitary Sewer Line
- UGE — UGE — Underground Electric
- D — Storm Drain Line
- G — Gas Line
- w — Existing Water Line
- Required Wood Fence
- Required Metal Picket Fence
- w — Required Water Line
- ▭ Required Concrete Paving
- - - - - Required Concrete Paving Joint
- ⊕ 16.10 Required Grade

- NOTES:**
- STATIONING AND COORDINATES GIVEN TO EXTERIOR CORNERS OF CONCRETE PUMP PIT WALLS. SEE SHEET 3 FOR SURVEY LINE DETAILS FOR BASIS OF STATIONING AND COORDINATES.
 - PIPE LENGTH SHOWN ONLY INCLUDES YARD PIPING, AND DOES NOT INCLUDE PIPING INSIDE STATION.
 - CONTRACTOR SHALL VERIFY LOCATION OF EXISTING WATER LINE PRIOR TO EXCAVATING FOR INSTALLATION OF REQUIRED WATER LINE.
 - REQUIRED STREET GRADES ARE TO GUTTER LINE.
 - STREET REPAIRS SHALL BE DONE IN ACCORDANCE WITH PROJECT SPECIFICATIONS AND DEPARTMENT OF PUBLIC WORKS OF NEW ORLEANS STANDARD DRAWINGS. (SEE SHEET 2, NOTE 25)

CIVIL

REV.	DATE	DESCRIPTION	BY

SEWERAGE AND WATER BOARD OF NEW ORLEANS

CONTRACT 3669
HURRICANE KATRINA RELATED
404 HAZARD MITIGATION GRANT PROGRAM
REPLACEMENT OF SEWAGE LIFT STATION NO. 6

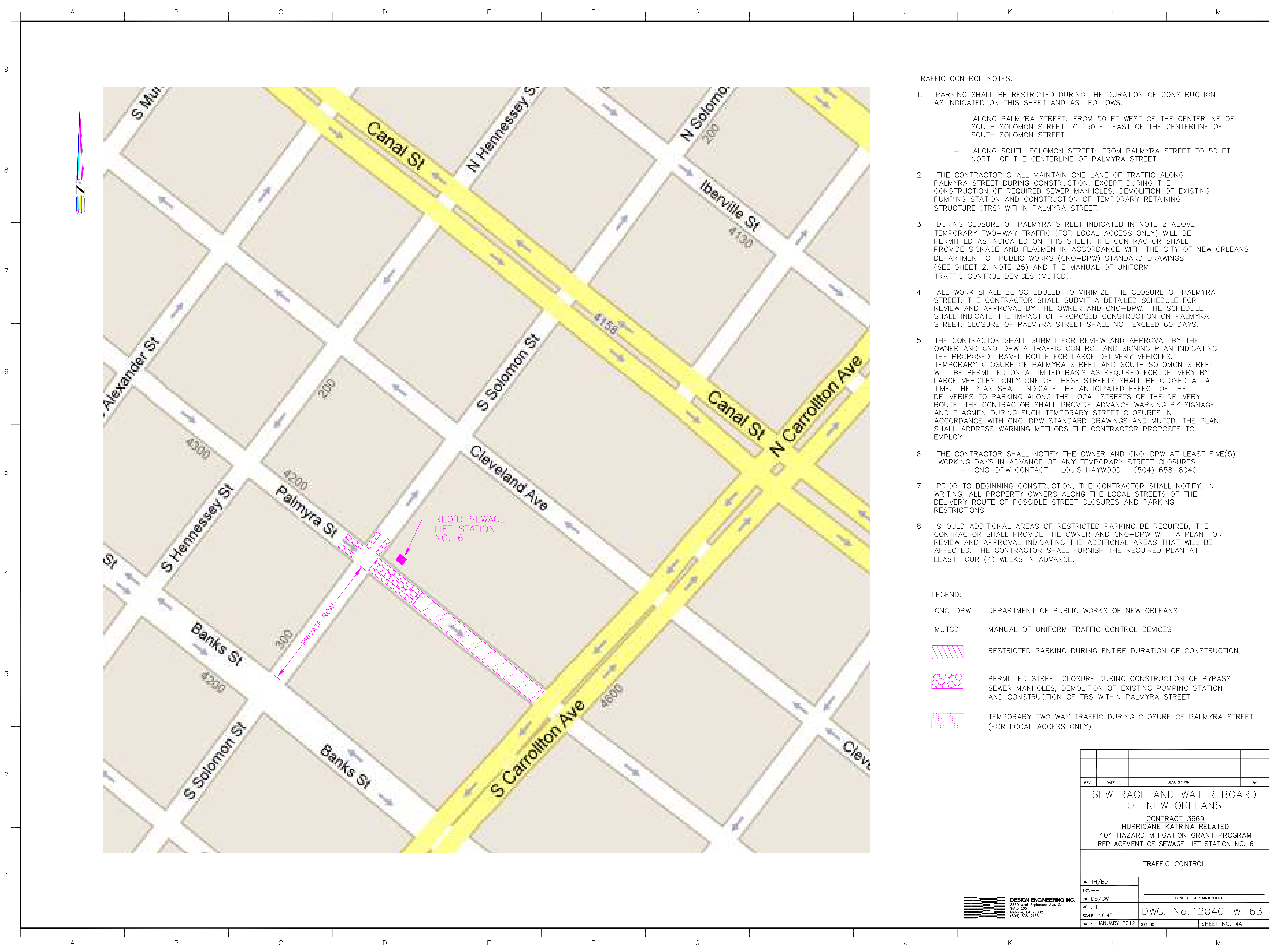
SITE PLAN—REQUIRED STATION AND PIPING

DR. TH/BD	
TRC. —	
CK. DS/CW	
AP. JH	
SCALE AS NOTED	DWG. No. 12040-W-63
DATE: JANUARY 2012	SHEET NO. 4

DESIGN ENGINEERING INC.
3330 West Esplanade Ave. S.
Suite 205
Metairie, LA 70002
(504) 836-2155

NOTE:
REQUIRED SEWER MANHOLES #1 AND #2 SHALL BE CONSTRUCTED IN ACCORDANCE WITH SWBNO DWG. NO. 6178-B-6 FOR BRICK MANHOLES OR SWBNO DWG. NO. 6178-B-6A FOR PRECAST SEWER MANHOLES. REQUIRED SEWER MANHOLE #3 SHALL BE CONSTRUCTED AS A STANDARD BRICK MANHOLE AS DETAILED ON SWBNO DWG. NO. D-870 AND SHALL INCLUDE SEALING OF MANHOLE WALLS IN ACCORDANCE WITH SWBNO DWG. NO. 6178-B-6.

PRINTED Aug 08, 2013 1:46pm FILENAME: J:\6005.1-COSHEP-2013\Contract 3669 - SPS No. 6\SH 4_NO_6_REQSITE.dwg



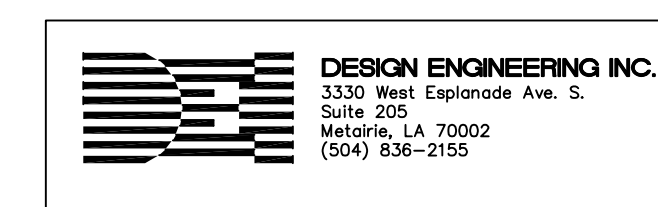
TRAFFIC CONTROL NOTES:

1. PARKING SHALL BE RESTRICTED DURING THE DURATION OF CONSTRUCTION AS INDICATED ON THIS SHEET AND AS FOLLOWS:
 - ALONG PALMYRA STREET: FROM 50 FT WEST OF THE CENTERLINE OF SOUTH SOLOMON STREET TO 150 FT EAST OF THE CENTERLINE OF SOUTH SOLOMON STREET.
 - ALONG SOUTH SOLOMON STREET: FROM PALMYRA STREET TO 50 FT NORTH OF THE CENTERLINE OF PALMYRA STREET.
2. THE CONTRACTOR SHALL MAINTAIN ONE LANE OF TRAFFIC ALONG PALMYRA STREET DURING CONSTRUCTION, EXCEPT DURING THE CONSTRUCTION OF REQUIRED SEWER MANHOLES, DEMOLITION OF EXISTING PUMPING STATION AND CONSTRUCTION OF TEMPORARY RETAINING STRUCTURE (TRS) WITHIN PALMYRA STREET.
3. DURING CLOSURE OF PALMYRA STREET INDICATED IN NOTE 2 ABOVE, TEMPORARY TWO-WAY TRAFFIC (FOR LOCAL ACCESS ONLY) WILL BE PERMITTED AS INDICATED ON THIS SHEET. THE CONTRACTOR SHALL PROVIDE SIGNAGE AND FLAGMEN IN ACCORDANCE WITH THE CITY OF NEW ORLEANS DEPARTMENT OF PUBLIC WORKS (CNO-DPW) STANDARD DRAWINGS (SEE SHEET 2, NOTE 25) AND THE MANUAL OF UNIFORM TRAFFIC CONTROL DEVICES (MUTCD).
4. ALL WORK SHALL BE SCHEDULED TO MINIMIZE THE CLOSURE OF PALMYRA STREET. THE CONTRACTOR SHALL SUBMIT A DETAILED SCHEDULE FOR REVIEW AND APPROVAL BY THE OWNER AND CNO-DPW. THE SCHEDULE SHALL INDICATE THE IMPACT OF PROPOSED CONSTRUCTION ON PALMYRA STREET. CLOSURE OF PALMYRA STREET SHALL NOT EXCEED 60 DAYS.
5. THE CONTRACTOR SHALL SUBMIT FOR REVIEW AND APPROVAL BY THE OWNER AND CNO-DPW A TRAFFIC CONTROL AND SIGNING PLAN INDICATING THE PROPOSED TRAVEL ROUTE FOR LARGE DELIVERY VEHICLES. TEMPORARY CLOSURE OF PALMYRA STREET AND SOUTH SOLOMON STREET WILL BE PERMITTED ON A LIMITED BASIS AS REQUIRED FOR DELIVERY BY LARGE VEHICLES. ONLY ONE OF THESE STREETS SHALL BE CLOSED AT A TIME. THE PLAN SHALL INDICATE THE ANTICIPATED EFFECT OF THE DELIVERIES TO PARKING ALONG THE LOCAL STREETS OF THE DELIVERY ROUTE. THE CONTRACTOR SHALL PROVIDE ADVANCE WARNING BY SIGNAGE AND FLAGMEN DURING SUCH TEMPORARY STREET CLOSURES IN ACCORDANCE WITH CNO-DPW STANDARD DRAWINGS AND MUTCD. THE PLAN SHALL ADDRESS WARNING METHODS THE CONTRACTOR PROPOSES TO EMPLOY.
6. THE CONTRACTOR SHALL NOTIFY THE OWNER AND CNO-DPW AT LEAST FIVE(5) WORKING DAYS IN ADVANCE OF ANY TEMPORARY STREET CLOSURES.
 - CNO-DPW CONTACT LOUIS HAYWOOD (504) 658-8040
7. PRIOR TO BEGINNING CONSTRUCTION, THE CONTRACTOR SHALL NOTIFY, IN WRITING, ALL PROPERTY OWNERS ALONG THE LOCAL STREETS OF THE DELIVERY ROUTE OF POSSIBLE STREET CLOSURES AND PARKING RESTRICTIONS.
8. SHOULD ADDITIONAL AREAS OF RESTRICTED PARKING BE REQUIRED, THE CONTRACTOR SHALL PROVIDE THE OWNER AND CNO-DPW WITH A PLAN FOR REVIEW AND APPROVAL INDICATING THE ADDITIONAL AREAS THAT WILL BE AFFECTED. THE CONTRACTOR SHALL FURNISH THE REQUIRED PLAN AT LEAST FOUR (4) WEEKS IN ADVANCE.

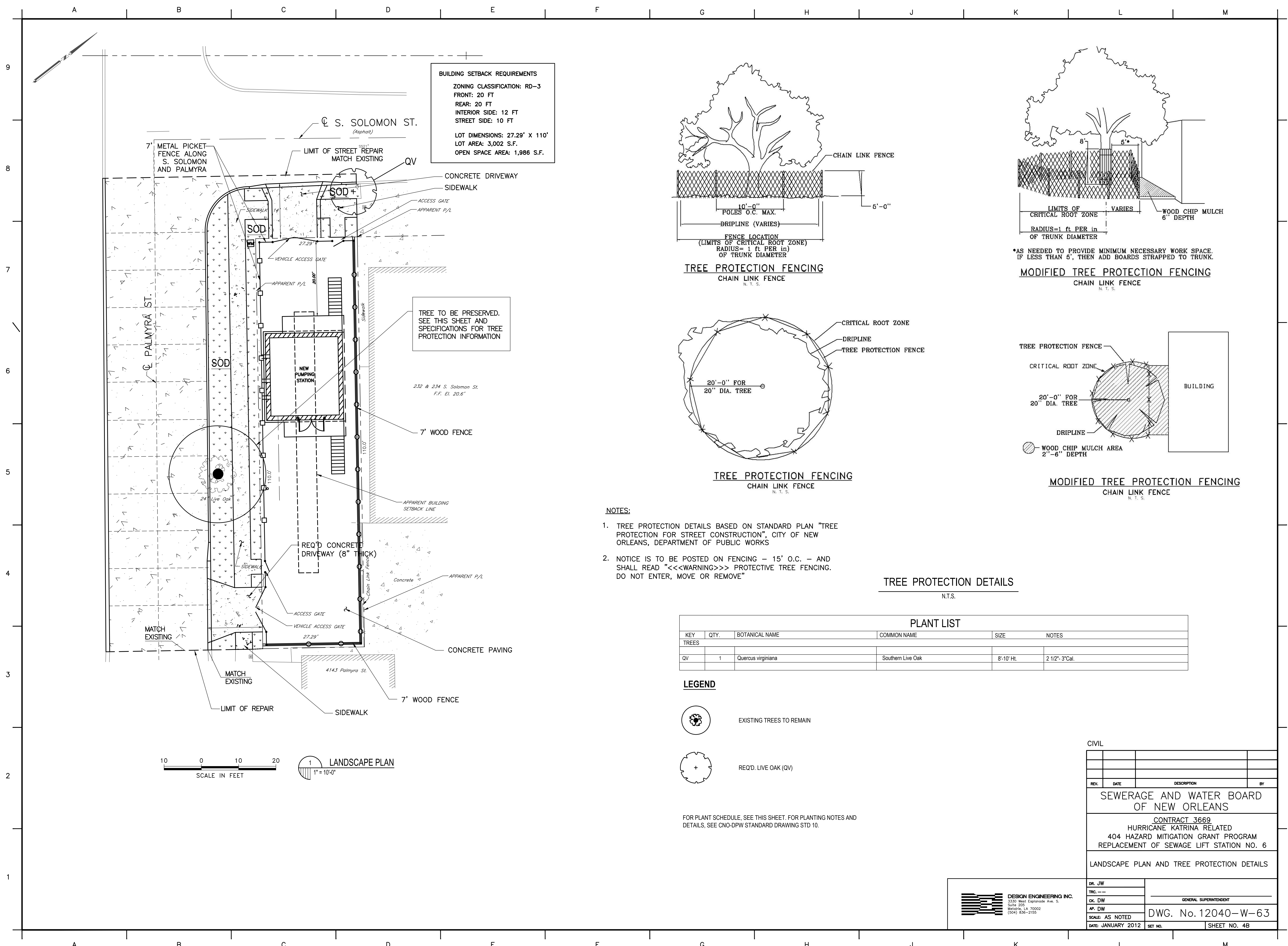
LEGEND:

- CNO-DPW DEPARTMENT OF PUBLIC WORKS OF NEW ORLEANS
- MUTCD MANUAL OF UNIFORM TRAFFIC CONTROL DEVICES
- RESTRICTED PARKING DURING ENTIRE DURATION OF CONSTRUCTION
- PERMITTED STREET CLOSURE DURING CONSTRUCTION OF BYPASS SEWER MANHOLES, DEMOLITION OF EXISTING PUMPING STATION AND CONSTRUCTION OF TRS WITHIN PALMYRA STREET
- TEMPORARY TWO WAY TRAFFIC DURING CLOSURE OF PALMYRA STREET (FOR LOCAL ACCESS ONLY)

REV.	DATE	DESCRIPTION	BY
SEWERAGE AND WATER BOARD OF NEW ORLEANS			
CONTRACT 3669 HURRICANE KATRINA RELATED 404 HAZARD MITIGATION GRANT PROGRAM REPLACEMENT OF SEWAGE LIFT STATION NO. 6			
TRAFFIC CONTROL			
DR. TH/BD			
TRC. --			
CK. DS/CW			GENERAL SUPERINTENDENT
AP. JH			
SCALE: NONE			DWG. No. 12040-W-63
DATE: JANUARY 2012		SET NO.	SHEET NO. 4A

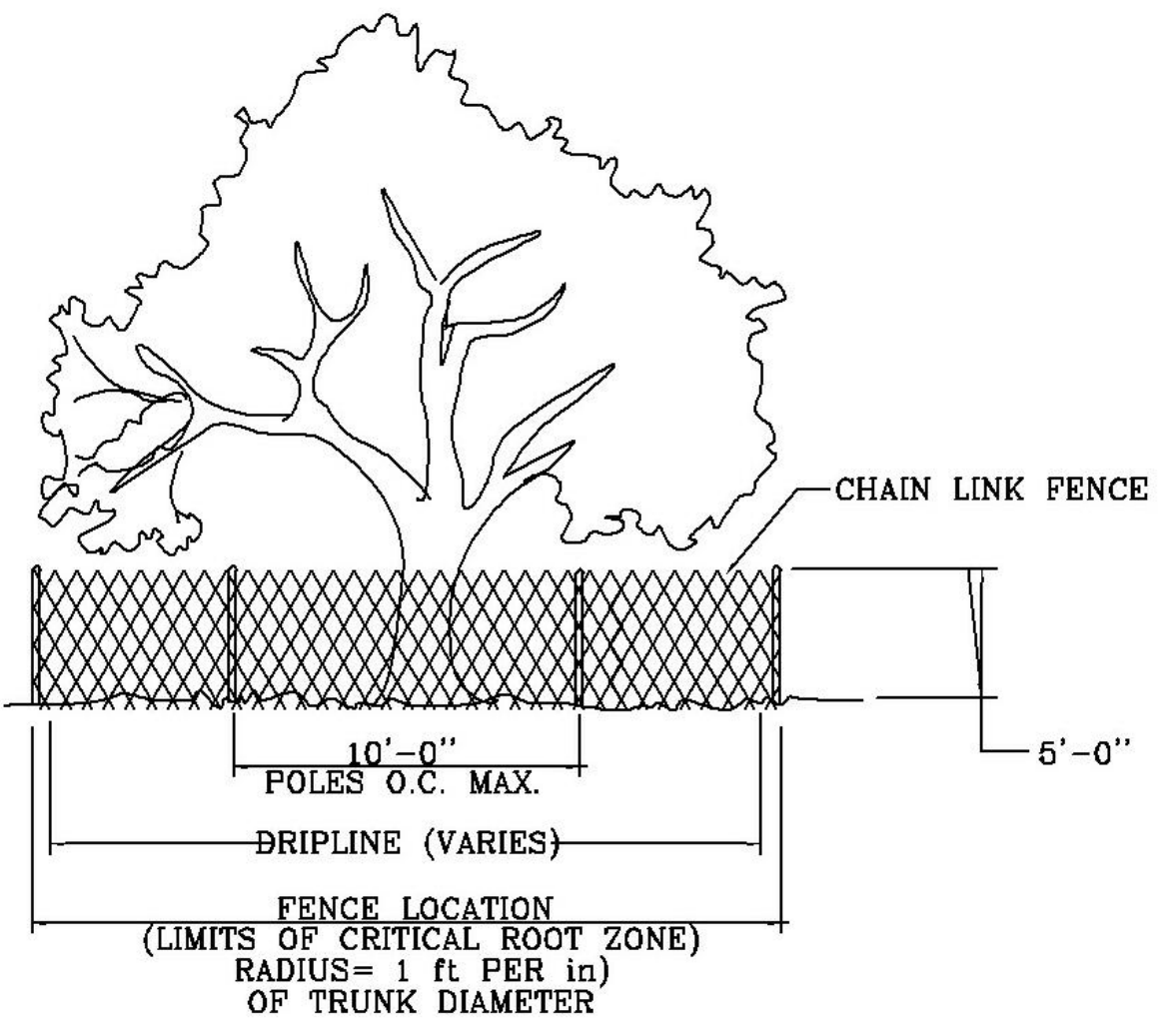


PRINTED Aug 08, 2013 1:49pm FILENAME U:\6005.1-GOSHEP-2013\Contract 3669 - SPS No. 6\SH4B_NO 6_LANDSCAPING PLAN.dwg

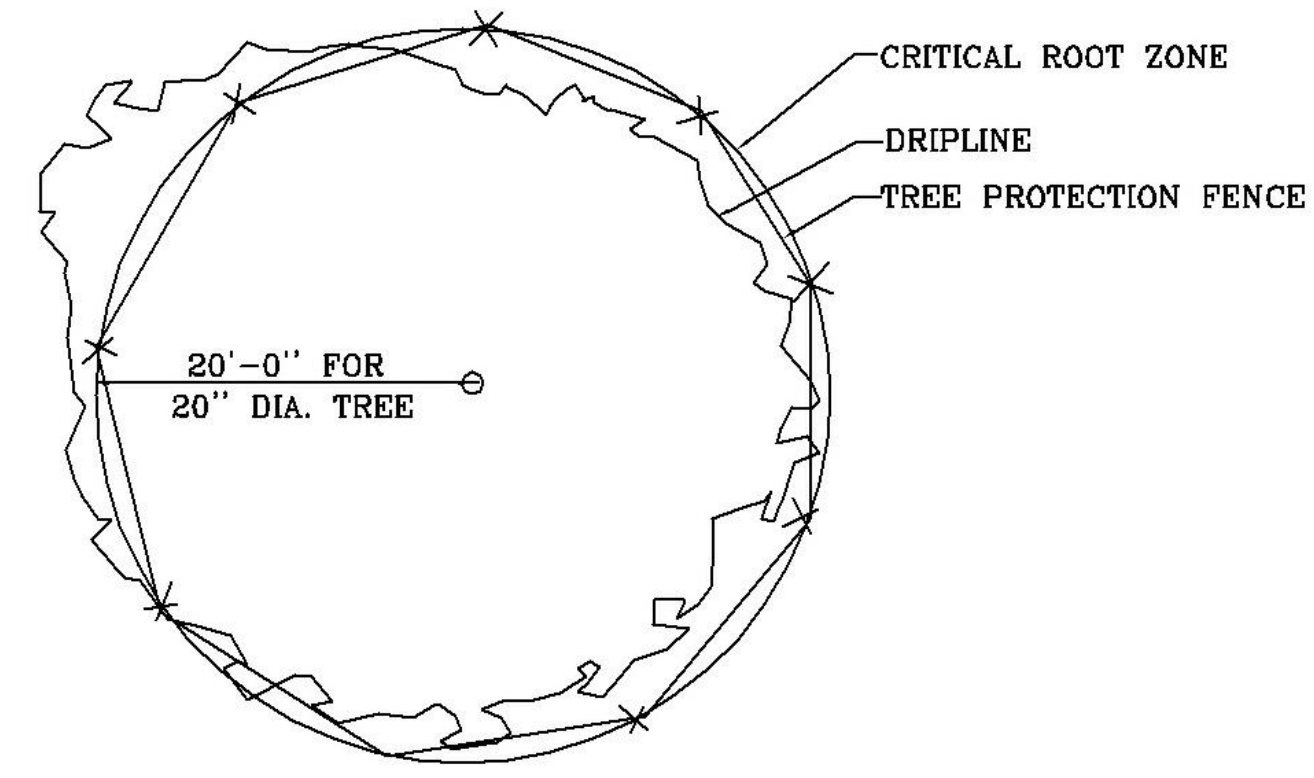


BUILDING SETBACK REQUIREMENTS
 ZONING CLASSIFICATION: RD-3
 FRONT: 20 FT
 REAR: 20 FT
 INTERIOR SIDE: 12 FT
 STREET SIDE: 10 FT
 LOT DIMENSIONS: 27.29' X 110'
 LOT AREA: 3,002 S.F.
 OPEN SPACE AREA: 1,986 S.F.

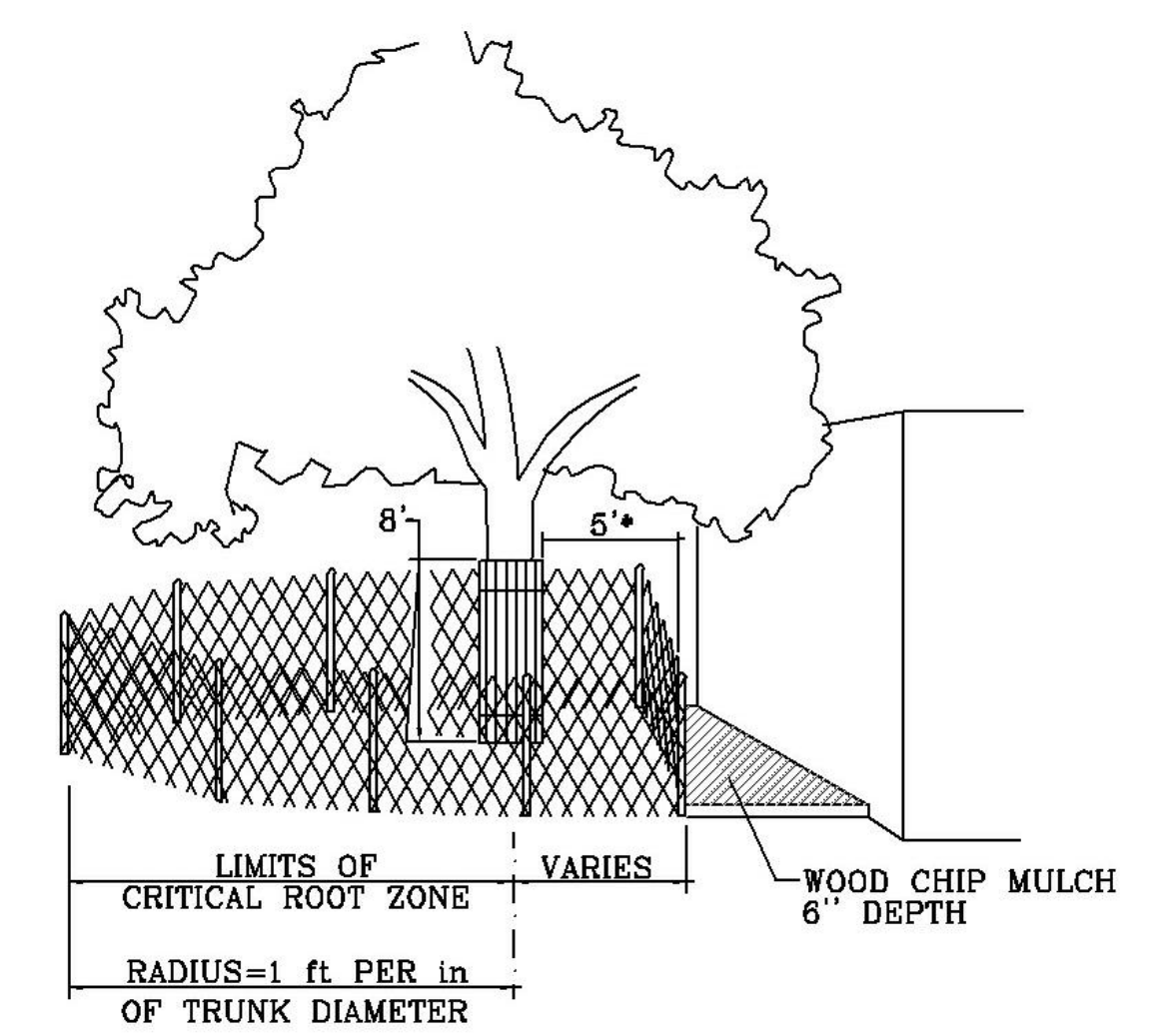
TREE TO BE PRESERVED.
 SEE THIS SHEET AND
 SPECIFICATIONS FOR TREE
 PROTECTION INFORMATION



TREE PROTECTION FENCING
 CHAIN LINK FENCE
 N.T.S.

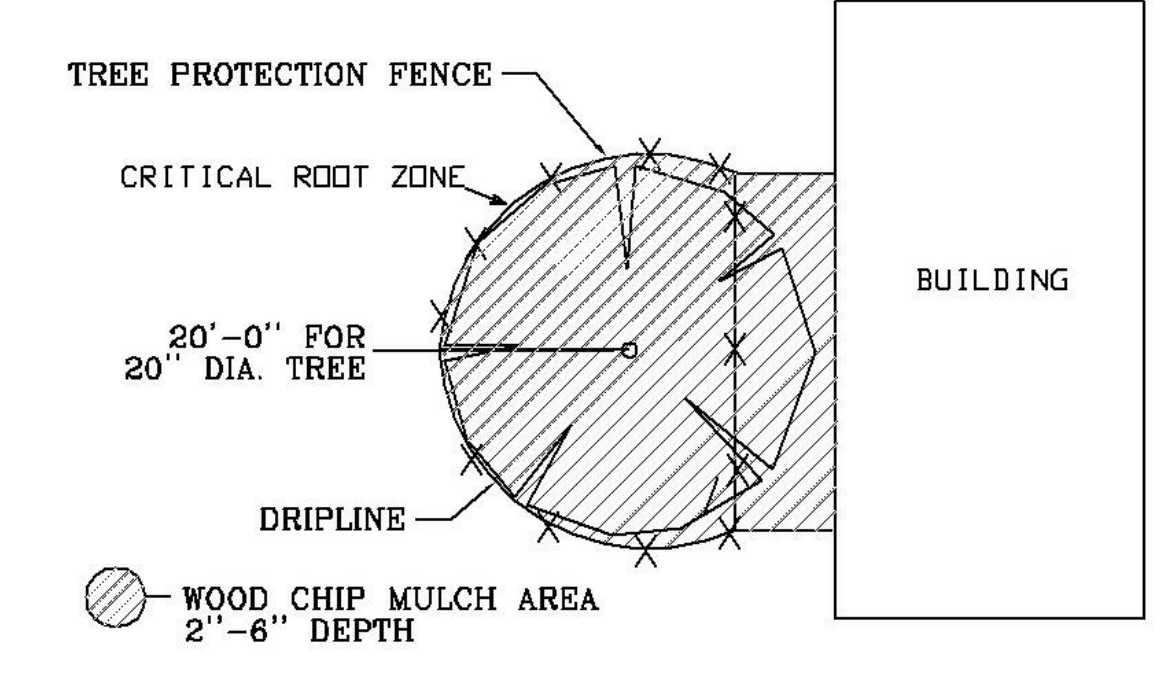


TREE PROTECTION FENCING
 CHAIN LINK FENCE
 N.T.S.



*AS NEEDED TO PROVIDE MINIMUM NECESSARY WORK SPACE. IF LESS THAN 5', THEN ADD BOARDS STRAPPED TO TRUNK.

MODIFIED TREE PROTECTION FENCING
 CHAIN LINK FENCE
 N.T.S.



MODIFIED TREE PROTECTION FENCING
 CHAIN LINK FENCE
 N.T.S.

- NOTES:**
- TREE PROTECTION DETAILS BASED ON STANDARD PLAN "TREE PROTECTION FOR STREET CONSTRUCTION", CITY OF NEW ORLEANS, DEPARTMENT OF PUBLIC WORKS
 - NOTICE IS TO BE POSTED ON FENCING - 15' O.C. - AND SHALL READ "<<<WARNING>>> PROTECTIVE TREE FENCING. DO NOT ENTER, MOVE OR REMOVE"

TREE PROTECTION DETAILS
 N.T.S.

PLANT LIST					
KEY	QTY.	BOTANICAL NAME	COMMON NAME	SIZE	NOTES
TREES					
QV	1	Quercus virginiana	Southern Live Oak	8'-10' Ht.	2 1/2"-3" Cal.

- LEGEND**
- EXISTING TREES TO REMAIN
 - REQ'D. LIVE OAK (QV)

FOR PLANT SCHEDULE, SEE THIS SHEET. FOR PLANTING NOTES AND DETAILS, SEE CNO-DPW STANDARD DRAWING STD 10.



LANDSCAPE PLAN
 1" = 10'-0"

REV.	DATE	DESCRIPTION	BY

SEWERAGE AND WATER BOARD OF NEW ORLEANS

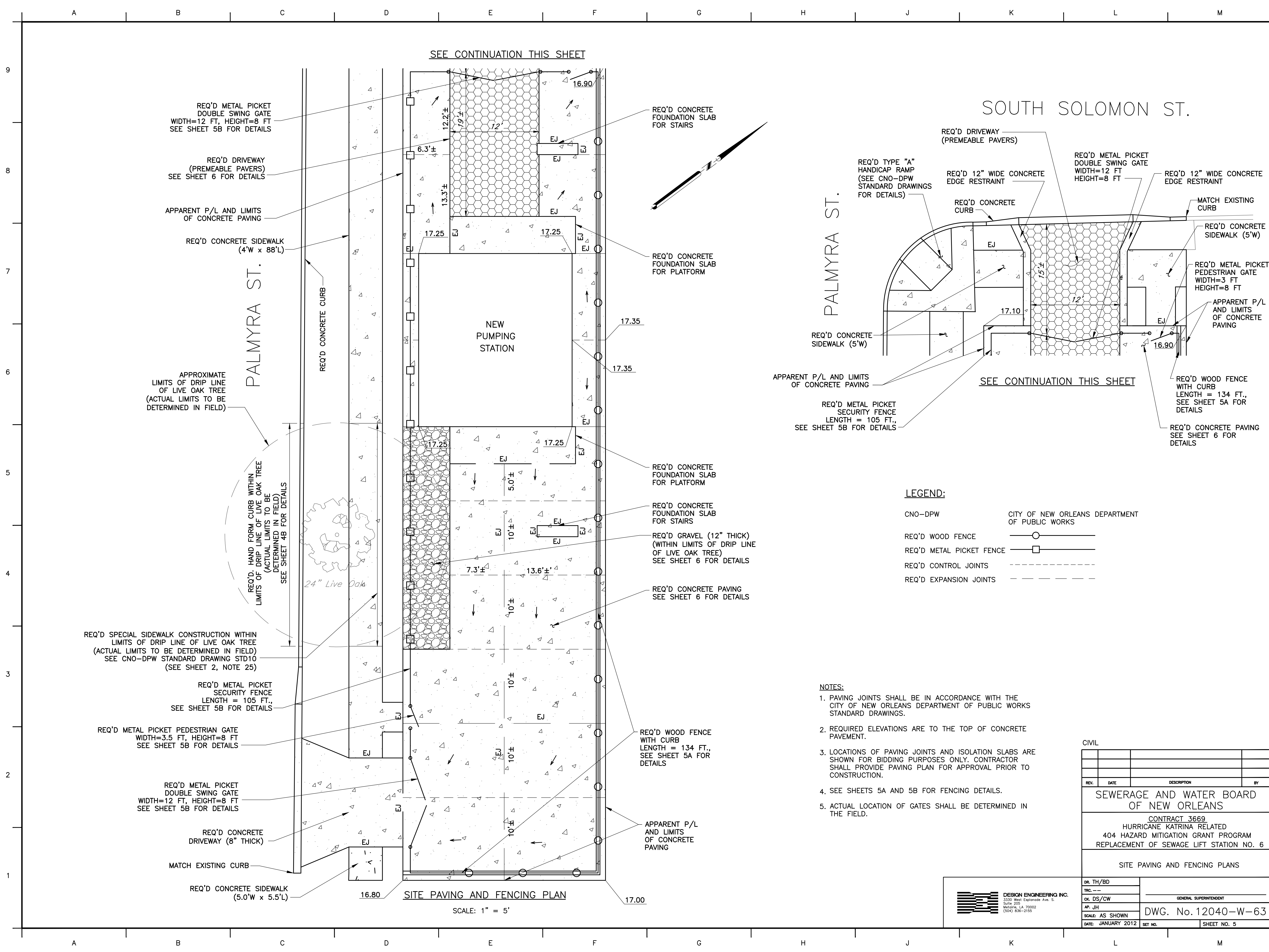
CONTRACT 3669
 HURRICANE KATRINA RELATED
 404 HAZARD MITIGATION GRANT PROGRAM
 REPLACEMENT OF SEWAGE LIFT STATION NO. 6

LANDSCAPE PLAN AND TREE PROTECTION DETAILS

DR. JW	TRC. --	GENERAL SUPERINTENDENT
CK. DW	AP. DW	DWG. No. 12040-W-63
SCALE: AS NOTED	DATE: JANUARY 2012	SET NO. SHEET NO. 4B

DESIGN ENGINEERING INC.
 3330 West Esplanade Ave. 3,
 Suite 205
 Metairie, LA 70002
 (504) 836-2155

PRINTED Aug 08, 2013 1:51pm FILENAME - J:\6005.1-COSHEP-2013\Contract 3669 - SPS No. 6\SH 5_NO 6_EXSITE-FENCE-DET.dwg



SEE CONTINUATION THIS SHEET

SOUTH SOLOMON ST.

PALMYRA ST.

SITE PAVING AND FENCING PLAN

SCALE: 1" = 5'

SEE CONTINUATION THIS SHEET

LEGEND:

- CNO-DPW
- CITY OF NEW ORLEANS DEPARTMENT OF PUBLIC WORKS
- REQ'D WOOD FENCE
- REQ'D METAL PICKET FENCE
- REQ'D CONTROL JOINTS
- REQ'D EXPANSION JOINTS

NOTES:

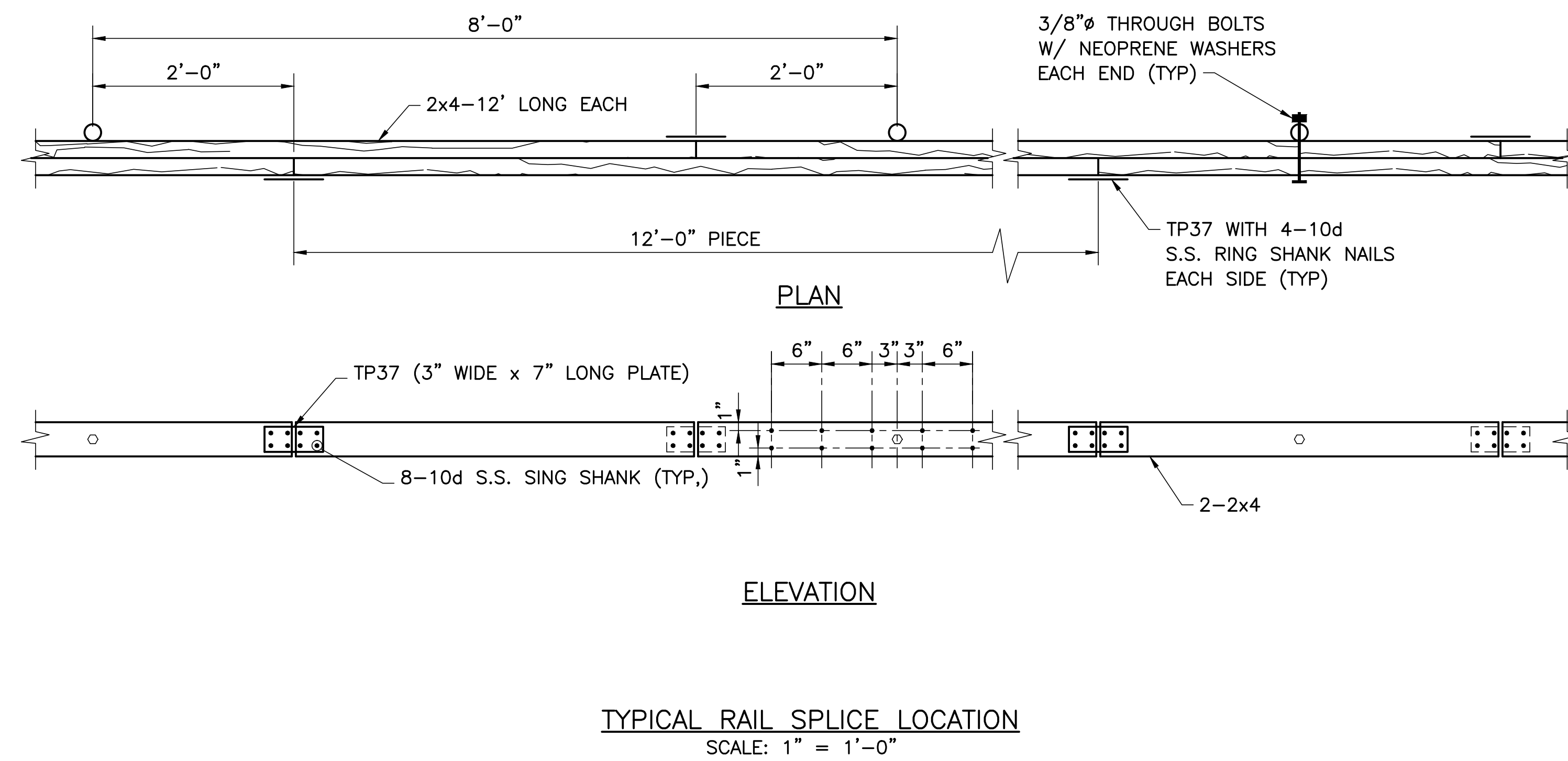
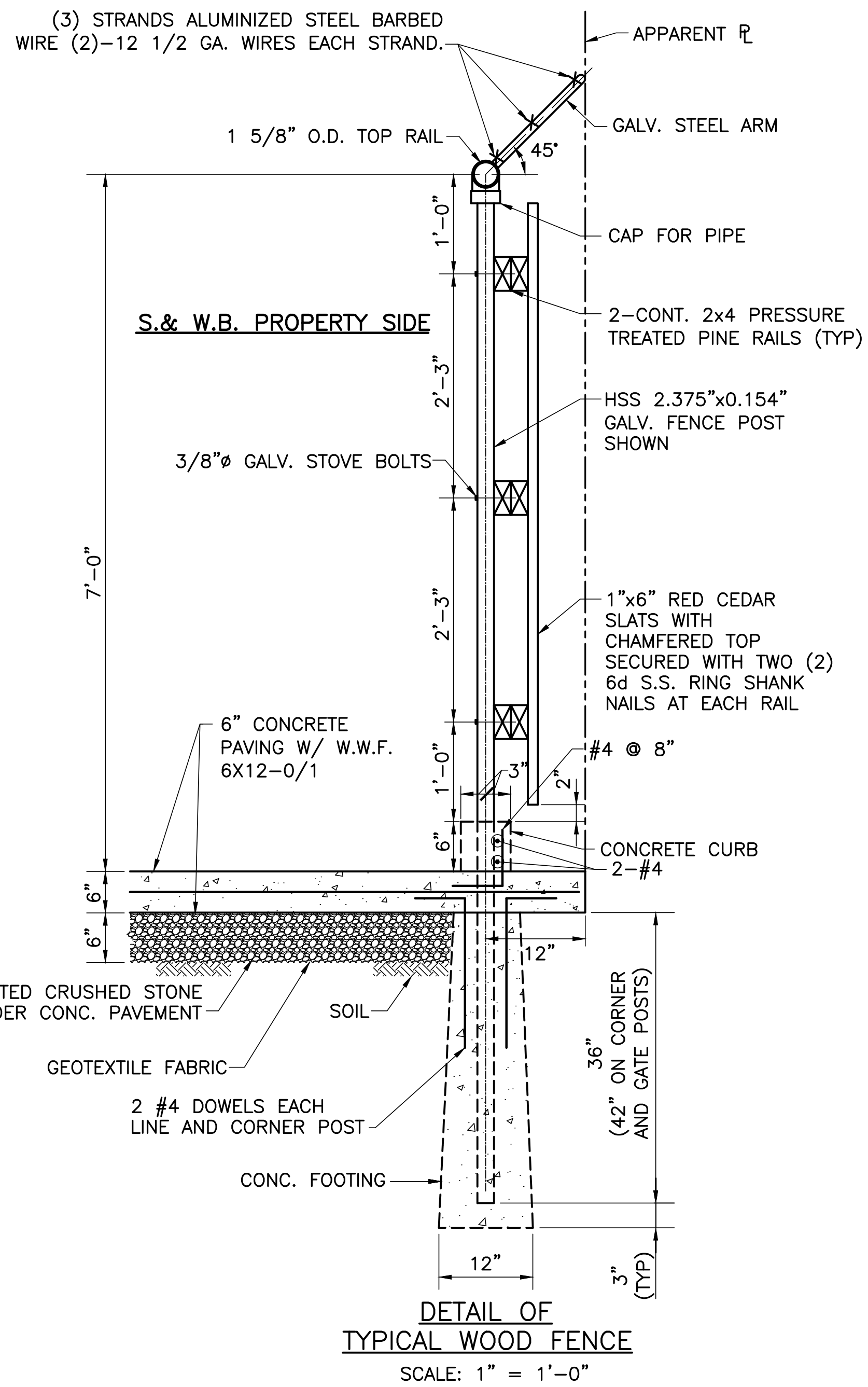
1. PAVING JOINTS SHALL BE IN ACCORDANCE WITH THE CITY OF NEW ORLEANS DEPARTMENT OF PUBLIC WORKS STANDARD DRAWINGS.
2. REQUIRED ELEVATIONS ARE TO THE TOP OF CONCRETE PAVEMENT.
3. LOCATIONS OF PAVING JOINTS AND ISOLATION SLABS ARE SHOWN FOR BIDDING PURPOSES ONLY. CONTRACTOR SHALL PROVIDE PAVING PLAN FOR APPROVAL PRIOR TO CONSTRUCTION.
4. SEE SHEETS 5A AND 5B FOR FENCING DETAILS.
5. ACTUAL LOCATION OF GATES SHALL BE DETERMINED IN THE FIELD.

CIVIL

REV.	DATE	DESCRIPTION	BY
SEWERAGE AND WATER BOARD OF NEW ORLEANS CONTRACT 3669 HURRICANE KATRINA RELATED 404 HAZARD MITIGATION GRANT PROGRAM REPLACEMENT OF SEWAGE LIFT STATION NO. 6 SITE PAVING AND FENCING PLANS			
DR. TH/BD			
TRC. --			
CK. DS/CW			
AP. JH			
SCALE AS SHOWN		DWG. No. 12040-W-63	
DATE: JANUARY 2012	SET NO.		SHEET NO. 5



PRINTED Aug 08, 2013 1:51pm FILENAME - J:\6005.1-COSHEP-2013\Contract 3669 - SPS No. 6\SH 5A_NO 6_WOOD-FENCE-DET.dwg

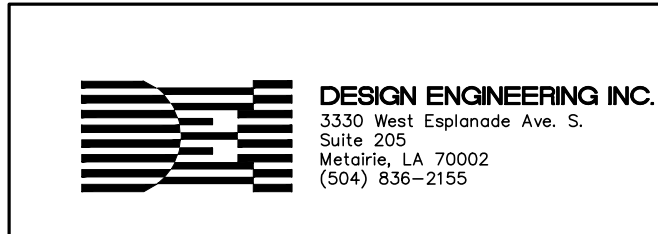


WOOD FENCE NOTES:

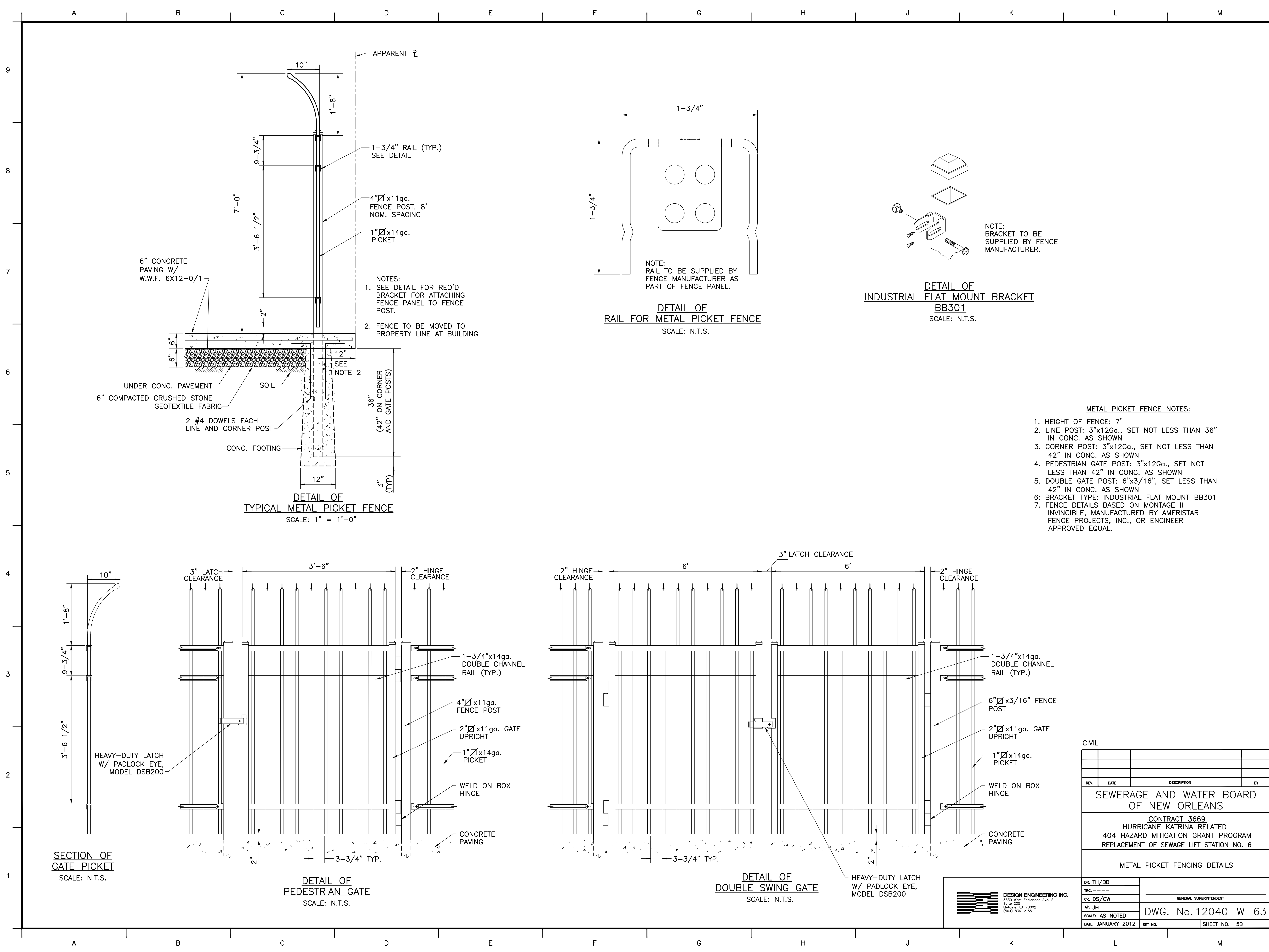
1. OVERALL HEIGHT OF FENCE: 8' (7' WOOD SLAT, 1' OF BARBED WIRE)
2. LINE POST: HSS GALV. PIPE, 2.375" O.D., 0.154" THICKNESS, SET NOT LESS THAN 36" IN CONC. AS SHOWN
3. CORNER POST: HSS GALV. PIPE, 2.875" O.D., 0.203" THICKNESS, SET NOT LESS THAN 42" IN CONC. AS SHOWN
4. GATE POST: HSS GALV. PIPE, 4.00" O.D., 0.226" THICKNESS, SET NOT LESS THAN 42" IN CONC. AS SHOWN
5. BARBED WIRE: (3) STRANDS OF ALUMINIZED STL. SET ON GALV. STL. ARMS. USE A 4 POINTS PATTERN BARBED WIRE ON 3" CENTERS, (2) 12-1/2" GA WIRES PER STRAND. GALV. STEEL ARM SHALL NOT EXTEND BEYOND PROPERTY LINE (P/L).
6. TOP RAIL: 1-5/8" O.D. GALV. PIPE
7. BRACING (CORNER & GATE POSTS): 1-5/8" O.D. GALV. PIPE
8. DIAGONAL BRACE (GATE): HSS GALV. TUBE 4x2x0.233
9. GATES SHALL BE PROVIDED WITH 1/2" KEPPER BARS, FORMED LATCH AND PADLOCK EYE.
10. SLATS: RED CEDAR WITH A CHAMFERED TOP, TREATED WITH WATER REPELLENT PRESERVATIVE, WITH STAINLESS STEEL FASTENERS.
11. RAILS: TWO (2) 2-INCH x 4 INCH x 12-FOOT PRESSURE TREATED NO. 2 PRIME, OR BETTER, SOUTHERN PINE LUMBER
12. GATE FRAME: HSS GALVANIZED TUBE 2x2x0.233.

CIVIL

REV.	DATE	DESCRIPTION	BY
SEWERAGE AND WATER BOARD OF NEW ORLEANS CONTRACT 3669 HURRICANE KATRINA RELATED 404 HAZARD MITIGATION GRANT PROGRAM REPLACEMENT OF SEWAGE LIFT STATION NO. 6 WOOD FENCING DETAILS			
DR. TH/BD			
TRC. ---			
CK. DS/CW			GENERAL SUPERINTENDENT
AP. JH			DWG. No. 12040-W-63
SCALE: AS NOTED			
DATE: JANUARY 2012	SET NO.		SHEET NO. 5A



PRINTED Aug 08, 2013 1:53pm FILENAME - J:\6005.1-COSHEP-2013\Contract 3669 - SPS No. 6\SH 5B_NO 6_METAL-FENCE-DET.dwg



REV.	DATE	DESCRIPTION	BY

SEWERAGE AND WATER BOARD OF NEW ORLEANS

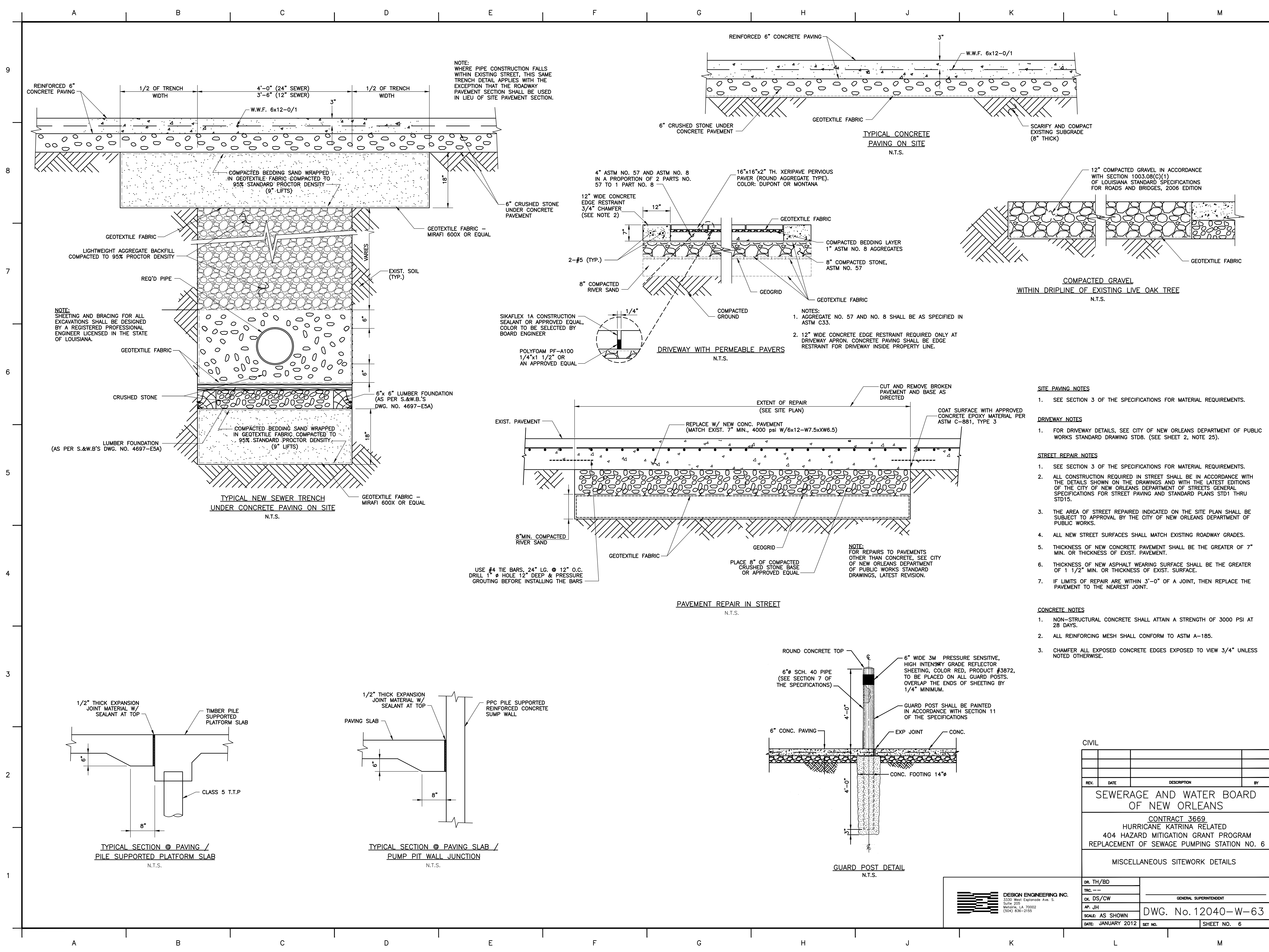
CONTRACT 3669
HURRICANE KATRINA RELATED
404 HAZARD MITIGATION GRANT PROGRAM
REPLACEMENT OF SEWAGE LIFT STATION NO. 6

METAL PICKET FENCING DETAILS

DR. TH/BD	
TRC. ---	
CK. DS/CW	GENERAL SUPERINTENDENT
AP. JH	DWG. No. 12040-W-63
SCALE AS NOTED	
DATE: JANUARY 2012	SET NO. SHEET NO. 5B

DESIGN ENGINEERING INC.
3330 West Esplanade Ave. S.
Suite 205
Metairie, LA 70002
(504) 836-2155

PRINTED Aug 08, 2013 1:54pm FILENAME -- J:\6005.1-COSHEP-2013\Contract 3669 -- SPS No. 6\SH 6_NO 6_Misc Site Det.dwg



- SITE PAVING NOTES**
- SEE SECTION 3 OF THE SPECIFICATIONS FOR MATERIAL REQUIREMENTS.
- DRIVEWAY NOTES**
- FOR DRIVEWAY DETAILS, SEE CITY OF NEW ORLEANS DEPARTMENT OF PUBLIC WORKS STANDARD DRAWING STD8. (SEE SHEET 2, NOTE 25).
- STREET REPAIR NOTES**
- SEE SECTION 3 OF THE SPECIFICATIONS FOR MATERIAL REQUIREMENTS.
 - ALL CONSTRUCTION REQUIRED IN STREET SHALL BE IN ACCORDANCE WITH THE DETAILS SHOWN ON THE DRAWINGS AND WITH THE LATEST EDITIONS OF THE CITY OF NEW ORLEANS DEPARTMENT OF STREETS GENERAL SPECIFICATIONS FOR STREET PAVING AND STANDARD PLANS STD1 THRU STD15.
 - THE AREA OF STREET REPAIRED INDICATED ON THE SITE PLAN SHALL BE SUBJECT TO APPROVAL BY THE CITY OF NEW ORLEANS DEPARTMENT OF PUBLIC WORKS.
 - ALL NEW STREET SURFACES SHALL MATCH EXISTING ROADWAY GRADES.
 - THICKNESS OF NEW CONCRETE PAVEMENT SHALL BE THE GREATER OF 7" MIN. OR THICKNESS OF EXIST. PAVEMENT.
 - THICKNESS OF NEW ASPHALT WEARING SURFACE SHALL BE THE GREATER OF 1 1/2" MIN. OR THICKNESS OF EXIST. SURFACE.
 - IF LIMITS OF REPAIR ARE WITHIN 3'-0" OF A JOINT, THEN REPLACE THE PAVEMENT TO THE NEAREST JOINT.
- CONCRETE NOTES**
- NON-STRUCTURAL CONCRETE SHALL ATTAIN A STRENGTH OF 3000 PSI AT 28 DAYS.
 - ALL REINFORCING MESH SHALL CONFORM TO ASTM A-185.
 - CHAMFER ALL EXPOSED CONCRETE EDGES EXPOSED TO VIEW 3/4" UNLESS NOTED OTHERWISE.

REV.	DATE	DESCRIPTION	BY
SEWERAGE AND WATER BOARD OF NEW ORLEANS CONTRACT 3669 HURRICANE KATRINA RELATED 404 HAZARD MITIGATION GRANT PROGRAM REPLACEMENT OF SEWAGE PUMPING STATION NO. 6 MISCELLANEOUS SITEWORK DETAILS			
DR. TH/BD			
TRC. --			
CK. DS/CW			
AP. JH			
SCALE: AS SHOWN			
DATE: JANUARY 2012	SET NO.		SHEET NO. 6

DESIGN ENGINEERING INC.
 3330 West Esplanade Ave. S.
 Suite 205
 Metairie, LA 70002
 (504) 836-2155

GENERAL SUPERINTENDENT
DWG. No. 12040-W-63

SEWER NOTES

1. THE CONTRACTOR SHALL FURNISH ALL LABOR, SUPERVISION, MATERIALS AND EQUIPMENT REQUIRED FOR INSTALLATION OF NEW SEWER MAINS, MANHOLES, HOUSE CONNECTIONS, ETC., REQUIRED BY THESE DRAWINGS AND SPECIFICATIONS.

2. FOR ANY PIPES INSTALLED IN THE PUBLIC RIGHT-OF-WAY, THE CONTRACTOR SHALL NOTIFY THE CHIEF OF NETWORKS OF THE S&WB IN WRITING NOT LESS THAN THREE NOR MORE THAN TEN DAYS IN ADVANCE OF STARTING THE JOB SO AS TO SCHEDULE THE INSPECTION OF THE WORK.

3. SEWER MAINS AND INTERCONNECTING MANHOLES SHALL BE INSTALLED AT ELEVATIONS INDICATED UNLESS CHANGED BY THE S&WB ENGINEER. "BLIND MANHOLE" WILL NOT BE ALLOWED; ALL MAINS MUST BE LAID CONTINUOUSLY AND FROM THE LOW END OF THE SYSTEM.

4. MATERIAL FOR SEWER MAINS SHALL BE SOLID WALL POLYVINYL CHLORIDE (PVC) PIPE. PIPE SECTIONS AND FITTINGS SHALL HAVE A BELL HOUSING GASKETED JOINT SOLVENT WELDED TO THE PIPE AT THE FACTORY.

5. BEDDING AND FOUNDATIONS FOR MAINS SHALL CONFORM WITH S&WB DWG. 4697-ESA REV. 10 EXCEPT AS NOTED BELOW.

6. INSTALLATION OF THE SOLID WALL PVC PIPE SHALL CONFORM WITH SECTION D, "THE CONSTRUCTION OF SEWERS" AND PLASTIC PIPE ASSOCIATION SPECIFICATION UNI-B-78, "RECOMMENDED PRACTICE FOR THE INSTALLATION OF POLYVINYL CHLORIDE (PVC) SEWER PIPE."

7. THE CRUSHED STONE SHALL BE EXTENDED UNDER, AROUND AND 6" OVER THE TOP OF THE PIPE COMPACTED IN LAYERS NOT GREATER THAN 6" BY A MECHANICAL VIBRATING COMPACTOR (APPROVED BY THE BOARD'S ENGINEER) UNTIL A MINIMUM OF 95% STD PROCTOR DENSITY IS ATTAINED FOR THE FULL WIDTH OF THE TRENCH.

8. HOUSE CONNECTIONS SHALL BE SIX-INCH PIPE EXTENDED TO THE PROPERTY LINE AS SHOWN ON DWGS. 6187-ES. THE USE OF SADDLES IN ALL TYPES OF PIPE SYSTEMS WILL NOT BE PERMITTED.

9. AT POINTS OF THE TIE-INS TO THE EXISTING SYSTEM, THE NEW PIPE MATERIAL SHOULD MATCH THE EXISTING. IF NOT, THE CONNECTION SHALL BE MADE WITH USE OF A COUPLING AND BUSHING ADAPTER (MISSION RUBBER CO., FERNOCO OR EQUAL) CONFORMING TO ASTM-C-425.

10. CONTRACTOR SHALL VERIFY ELEVATION OF EXISTING INVERTS.

11. THE SEWER INSTALLATION SHALL BE CHECKED AGAINST THE DRAINAGE PLAN. ANY MODIFICATION TO THE DRAINAGE PLAN AFTER THIS DATE SHALL VOID THE SEWER PLAN; HAVING PRIOR APPROVAL.

12. THE LOCATION OF EXISTING UTILITIES SHOWN ARE APPROXIMATE. THE CONTRACTOR SHALL VERIFY SAME AND SHALL TAKE NECESSARY PRECAUTIONS TO PROTECT THEM.

13. INFILTRATION RATE SHALL BE 0 (ZERO) GALLONS PER INCH PER MILE PER 24 HOURS. ANY DETECTABLE LEAKS SHALL BE REPAIRED BY THE CONTRACTOR.

14. BEFORE FINAL ACCEPTANCE THE CONTRACTOR SHALL LOCATE AND CERTIFY THE CORRECT LOCATION AND DEPTH OF ALL HOUSE CONNECTIONS.

15. FINAL ACCEPTANCE OF THE SYSTEM IS CONTINGENT UPON A 90 DAY MAINTENANCE PERIOD FOLLOWING A SATISFACTORY INSPECTION BY THE S&WB ENGINEER PRIOR TO FINAL ACCEPTANCE.

BEFORE FINAL INSPECTION OF THE SYSTEM, THE CONTRACTOR SHALL SUBMIT AN "AS BUILT" DRAWING TO THE BOARD SHOWING CHANGES IN LINE OR GRADE FROM THE ORIGINAL DRAWINGS.

THE CONTRACTOR SHALL BE REQUIRED TO REPAIR IN AN APPROVED MANNER ALL DEFECTS DISCLOSED BY THIS INSPECTION BEFORE FINAL ACCEPTANCE.

16. THE FOLLOWING DIMENSIONS AND UNITS ARE REQUIRED FOR PVC SEWER PIPE (SDR-26) FOR SIZES 6" THROUGH 15"; ASTM F-679 CLASS T-1 FOR SIZE 18"-27".

Table with columns: NOM. SIZE (IN.), O.D. AVG. (IN.), MIN TOL. (IN.), WALL THK. (IN.) (MIN). Rows for sizes 6, 8, 10, 12, 15, 18, 21, 24, 27.

17. ABANDONED SEWER MAINS MUST BE PLUGGED IN THE MANHOLE, CASTINGS REMOVED AND RETURNED TO THE S&WB CENTRAL YARD. MANHOLES MUST BE FILLED WITH SAND.

18. FORCE MAIN SEWER PIPE MATERIAL

- A. PVC PIPE
1. PVC PIPE SHALL CONFORM TO ANWWA C905 (LATEST REVISION), PRESSURE CLASS 200 (DR25) SPECIFICATIONS...

- B. DUCTILE IRON PIPE AND FITTINGS
1. DUCTILE IRON PIPES SHALL CONFORM TO ANWWA C150 (LATEST REVISION), THICKNESS CLASS 56 WITH ANWWA C110 CLASS 350 FITTINGS...

- C. JOINT RESTRAINT DEVICES
1. IN AREAS WHERE RESTRAINED JOINTS ARE SHOWN OR SPECIFIED, FITTINGS SHALL BE RESTRAINED BY USE OF A MECHANICAL JOINT RESTRAINT GLAND FOR USE WITH C-905 PVC PIPE...

- D. TESTING
1. ALL NEW MAINS, VALVES, AND SERVICES SHALL BE INSTALLED PRIOR TO PRESSURE TESTING.

SEWER NOTES

I. GENERAL

1. IT IS TO BE UNDERSTOOD THAT ALL REFERENCES TO "THE SEWERAGE AND WATER BOARD (S&WB) ENGINEER" THROUGHOUT THIS DOCUMENT SHALL REFER TO THE GENERAL SUPERINTENDENT OF THE S&WB OR HIS APPOINTED REPRESENTATIVE.

2. THE CONTRACTOR SHALL HAVE AN INDIVIDUAL WITH A WASTEWATER COLLECTION CLASS IV LICENSE, OBTAINED THROUGH THE LOUISIANA DEPARTMENT OF HEALTH AND HOSPITALS, ON SITE AT ALL TIMES DURING INSTALLATION OF THE SEWER LINES AND APPURTENANCES.

3. THE CONTRACTOR SHALL FURNISH ALL LABOR, SUPERVISION, MATERIALS, AND EQUIPMENT REQUIRED FOR THE INSTALLATION OF NEW SEWER MAINS, MANHOLES, HOUSE CONNECTIONS, ETC., REQUIRED BY THE PROJECT DRAWINGS AND SPECIFICATIONS.

4. ALL WORKMANSHIP AND MATERIALS SHALL CONFORM TO THE GENERAL SPECIFICATIONS OF THE S&WB. ANY MODIFICATION FROM THE DESIGN DRAWINGS MUST BE APPROVED BY THE S&WB ENGINEER PRIOR TO CONSTRUCTION.

5. PRIOR TO THE INSTALLATION OF ANY S&WB FACILITIES, THE ENTIRE AREA WITHIN THE PUBLIC RIGHT-OF-WAY, INCLUDING THE ENTIRE WIDTH OF ANY SERVITUDES ADJACENT TO THE FRONT PROPERTY LINE, PLUS AN ADDITIONAL 3 FT. MUST BE FILLED TO THE FINISHED GRADE.

6. ALL ELEVATIONS SHOWN ON THE DRAWINGS REFER TO CAIRO DATUM IN WHICH 0.00 FT. NGVD IS EQUAL TO 20.43 FT. CAIRO DATUM.

7. IT IS TO BE UNDERSTOOD THAT WHEREVER SAND IS STIPULATED IN THE SPECIFICATIONS OR DRAWINGS, IT SHALL REFER TO PUMPED MISSISSIPPI RIVER SAND OR ANY NATURAL SAND DEPOSIT MEETING THE REQUIREMENTS OF AASHTO A-3 OR ASTM-SP.

8. THE CONTRACTOR SHALL NOTIFY THE GENERAL SUPERINTENDENT (625 ST. JOSEPH ST., N.O. LA 70165), WITH COPIES TO THE CHIEF OF ENGINEERING (8800 S. CLAIBORNE AVE. N.O. LA 70118), AND THE CHIEF OF CONSTRUCTION ADMINISTRATION AND INSPECTION (8800 S. CLAIBORNE AVE. N.O. LA 70118) OF THE S&WB IN WRITING NOT LESS THAN THREE NOR MORE THAN TEN DAYS IN ADVANCE OF STARTING THE PROJECT SO AS TO SCHEDULE THE INSPECTION OF ANY S&WB WORK.

9. THE LOCATION OF EXISTING UTILITIES SHOWN ON THE DRAWINGS SHOULD BE CONSIDERED APPROXIMATE. THE CONTRACTOR SHALL VERIFY THE ELEVATION OF ALL EXISTING STRUCTURE INVERTS AND THE LOCATION OF ALL EXISTING UTILITIES PRIOR TO THE START OF WORK.

10. ALL S&WB MAINTAINED SEWER WORK PERFORMED BY THE CONTRACTOR WILL BE SUBJECT TO THE APPROVAL OF THE S&WB INSPECTOR. THE CONTRACTOR SHALL PROVIDE THE S&WB INSPECTOR FULL ACCESS TO THE WORK THROUGHOUT CONSTRUCTION AND ABIDE BY ANY JUSTIFIABLE S&WB INSPECTOR'S REQUEST TO EXPOSE ANY AND ALL WORK INSTALLED BY THE CONTRACTOR.

11. BACKFILL MATERIAL FOR ALL UTILITIES SHALL BE SAND EITHER COMPACTED MECHANICALLY IN 6 IN. LIFTS OR FLOODED IN 3 FT. LIFTS.

II. PIPE MATERIAL

1. MATERIAL FOR SEWER MAINS SHALL BE SOLID WALL PVC PIPE, MANUFACTURED IN ACCORDANCE WITH ASTM D-3034 SPECIFICATIONS AND TO A SDR (STRENGTH DIMENSION RATIO) OF 26 WITH ELASTOMERIC GASKETS.

2. THE FITTINGS FOR SOLID WALL PVC PIPE SHALL BE THE SAME INSIDE DIAMETER AS THE SOLID WALL PVC WITH AN SDR OF 35.

3. PVC SEWER MAINS, SIZES 18 IN. THROUGH 27 IN. SHALL BE SOLID WALL PVC PIPE CONFORMING TO ASTM F-679.

4. THE MAXIMUM ALLOWABLE COMPRESSION FOR INSTALLED PVC SEWER PIPE IS 7.5 PERCENT (7.5%) OF ITS ORIGINAL VERTICAL INSIDE DIAMETER.

5. AT POINTS OF THE TIE-INS TO THE EXISTING SYSTEM, THE NEW PIPE MATERIAL SHOULD MATCH THE EXISTING. IF THE NEW MATERIAL DOES NOT MATCH THE EXISTING MATERIAL, THE CONNECTION SHALL BE MADE BY THE USE OF COUPLING AND BUSHING ADAPTER INTENDED FOR THAT PURPOSE.

6. DUCTILE IRON PIPE SHALL BE USED THROUGHOUT THE CONSTRUCTION DRAWINGS AND SHALL CONFORM TO SECTION B, DUCTILE IRON OF THE S&WB 7260 WATER NOTES EXCEPT THAT THE INTERIOR LINING SHALL BE CERAMIC EPOXY, PROTECTO 401, OR APPROVED EQUAL, AND MUST BE FACTORY INSTALLED WITH 40 MILS NOMINAL THICKNESS.

III. SEWER MAIN INSTALLATION

1. THE SEWER MAIN MUST BE LAID IN A SEPARATE TRENCH FROM ALL OTHER UTILITIES. THE MINIMUM ALLOWABLE HORIZONTAL DISTANCE BETWEEN THE SEWER MAIN AND THE WATER MAIN SHALL BE 6 FT. AND A MINIMUM VERTICAL SEPARATION OF 18 IN. AS STIPULATED IN LOUISIANA ADMINISTRATIVE CODE TITLE FIFTY-ONE (51) PUBLIC HEALTH-SANITARY CODE PART XII WATER SUPPLIES.

2. SEWER MAINS AND INTERCONNECTING MANHOLES SHALL BE INSTALLED AT ELEVATIONS INDICATED ON THE PLANS UNLESS CHANGED BY THE S&WB ENGINEER.

3. INSTALLATION OF THE SOLID WALL PVC PIPE SHALL CONFORM TO SECTION D, "THE CONSTRUCTION OF SEWERS," OF THE GENERAL SPECIFICATIONS OF THE S&WB.

4. THE CRUSHED STONE SHALL BE EXTENDED UNDER, AROUND, AND OVER THE TOP OF THE PIPE AND COMPACTED IN LAYERS NOT GREATER THAN 6 IN. BY A MECHANICAL VIBRATING COMPACTOR APPROVED BY THE S&WB ENGINEER UNTIL A MINIMUM OF 95% STANDARD PROCTOR DENSITY IS ATTAINED FOR THE FULL WIDTH OF THE TRENCH.

5. THE CONTRACTOR SHALL VERIFY THE ELEVATION OF EXISTING INVERTS. ANY MODIFICATION TO THE DRAINAGE PLAN AFTER THIS DATE SHALL VOID THE SEWER PLAN; HAVING PRIOR APPROVAL.

4. FILTER FABRIC SHALL BE INSTALLED AROUND THE BEDDING AND UNDER THE BACKFILL IN ALL SEWER INSTALLATIONS AS SHOWN IN S&WB DWG. NO. 4697-ESA, AND CONFORM BY WEIGHT TO ASTM D1910. THE FILTER FABRIC SHALL BE DOTD CLASS C OR D, NON-WOVEN PERVIOUS SHEETS OF PLASTIC YARN MIRAFI 170N, OR AN EQUAL APPROVED BY THE S&WB ENGINEER.

A. AFTER THE TRENCH IS EXCAVATED, THE FOUNDATION LUMBER SHALL BE PLACED IN THE BOTTOM OF THE TRENCH AS SHOWN ON THE STANDARD DRAWINGS. THE FILTER FABRIC SHALL BE CUT TO THE NEEDED WIDTH, INCLUDING ALLOWANCES FOR "LOOSE" PLACEMENT IN THE TRENCH, WITH A DOUBLE OVERLAP ON TOP OF THE BEDDING MATERIAL AFTER PLACEMENT.

B. AFTER INSTALLING THE FABRIC, AN INITIAL 6 IN. LAYER OF BEDDING MATERIAL SHALL BE PLACED AND COMPACTED TO THE PROPER GRADE BEFORE PLACING THE SEWER PIPE.

C. AFTER COMPACTION, THE TWO EDGES OF THE FILTER FABRIC SHALL BE UNFASTENED AND OVERLAPPED FOR THE FULL WIDTH OF THE TRENCH ON TOP OF THE BEDDING MATERIAL.

IV. MANHOLES

1. MANHOLES SHALL CONFORM TO SECTION D OF THE GENERAL SPECIFICATIONS AND S&WB DWG. NOS. D-870. SHORT SECTIONS OF PIPE WITH BELL FITTINGS AND WATER STOPS, AS RECOMMENDED BY THE MANUFACTURER AND AS SHOWN ON S&WB DWG. NO. 8178-5D, SHALL NOT BE USED AS CONNECTORS FOR BRICK MANHOLES.

2. ABANDONED SEWER MAINS MUST BE PLUGGED IN THE MANHOLE. WALLS OF ABANDONED MANHOLES SHALL BE REMOVED TO A MINIMUM OF 2 FT. BELOW FINISHED GRADE AND THE ABANDONED MANHOLES MUST BE FILLED WITH SAND AND FLOODED.

3. ALL MANHOLE FOUNDATION SLABS SHALL BE PLACED ON A 6 IN. LAYER OF CRUSHED STONE OR APPROVED EQUAL BEDDING MATERIAL IN ACCORDANCE WITH S&WB DWG. NO. D-870.

V. HOUSE CONNECTIONS

1. HOUSE CONNECTIONS SHALL BE INSTALLED USING 6 IN. SOLID WALL SDR 26 PVC PIPE EXTENDED TO THE PROPERTY LINE AS SHOWN ON S&WB DWG. NO. 6312-ES. THE USE OF SADDLES SHALL NOT BE PERMITTED.

VI. TESTING AND INSPECTION

1. ALL INSTALLATION OF SEWER MAINS AND RELATED APPURTENANCES WILL BE PERFORMED UNDER THE INSPECTION OF, AND TO THE SATISFACTION OF, THE S&WB INSPECTOR THROUGHOUT THE COURSE OF THE WORK.

2. INFILTRATION RATE FOR NEWLY INSTALLED GRAVITY MAINS SHALL BE ZERO GALLONS. INFILTRATION TEST RATES FOR FORCE MAINS SHALL NOT EXCEED A RATE OF 250 GALLONS PER IN. OF DIAMETER PER MILE, PER 24 HOURS.

3. AT THE COMPLETION OF BACKFILLING, AND PRIOR TO FINAL ACCEPTANCE OF THE SEWER, 100% OF THE SEWER MAIN MUST BE MANDEOLED. THIS MANDEOLE WORK SHALL BE WITNESSED BY THE S&WB INSPECTOR AND PERFORMED BY THE CONTRACTOR AT NO DIRECT PAY.

4. THE SEWER LINE WILL BE CLEANED AND VIDEOED PRIOR TO THE INSTALLATION OF THE WEARING COURSE. IT IS REQUIRED THAT AN S&WB REPRESENTATIVE AND THE CONTRACTOR PHYSICALLY EYE-WITNESS THE ACTUAL CLEANING AND TV/VIDEO TEST(S).

5. THE CONTRACTOR WILL BE REQUIRED TO REPAIR, AT HIS OWN EXPENSE AND IN AN APPROVED MANNER, ALL DEFECTS IN WORKMANSHIP OR MATERIAL DISCLOSED BY THESE INSPECTIONS PRIOR TO OBTAINING FINAL ACCEPTANCE.

VII. FINAL ACCEPTANCE

1. BEFORE FINAL INSPECTION OF THE SYSTEM, THE CONTRACTOR SHALL SUBMIT AN "AS-BUILT" DRAWING TO THE BOARD SHOWING ANY CHANGES IN LINE OR GRADE FROM THE ORIGINAL DRAWINGS, AS WELL AS SHOWING THE LOCATION OF ALL HOUSE CONNECTIONS.

2. THE CONTRACTOR MUST CONTACT THE S&WB TO SET A DATE FOR FINAL INSPECTION. IN THE EVENT THE CONTRACTOR CALLS FOR AN INSPECTION AND THE WORK IS NOT ADEQUATELY COMPLETE, A NEW INSPECTION DATE WILL THEN BE SET AT THE DISCRETION OF THE S&WB INSPECTOR.

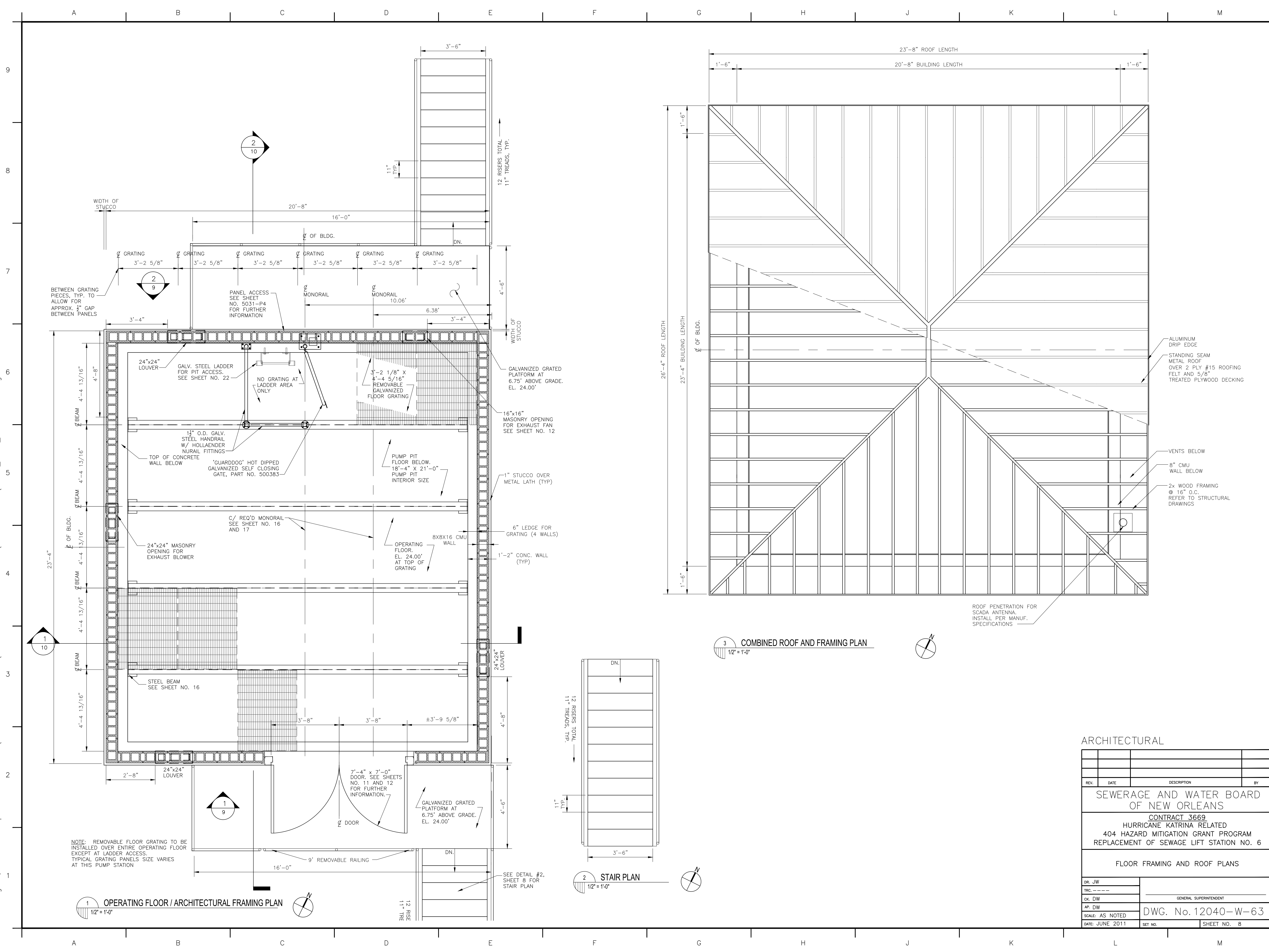
3. FINAL ACCEPTANCE OF THE SYSTEM WILL BE SUBJECT TO A 1-YEAR MAINTENANCE PERIOD FOLLOWING FINAL ACCEPTANCE OF THE PROJECT BY THE S&WB.

CIVIL table with columns: REV., DATE, DESCRIPTION, BY. Includes project title: SEWERAGE AND WATER BOARD OF NEW ORLEANS, CONTRACT 3669, HURRICANE KATRINA RELATED, 404 HAZARD MITIGATION GRANT PROGRAM, REPLACEMENT OF SEWAGE LIFT STATION NO. 6, and DWG. No. 12040-W-63.



FILENAME: J:\6005.1-COSH-2013\Contract 3669 - SPS No. 6\SH7_7_NO 6_Sew Dr Wat Notes.dwg
DATE: Aug 08, 2013 1:54pm
PRINTED: Aug 08, 2013 1:54pm

PRINTED Aug 08, 2013 1:55pm FILENAME -- u:\6005.1-GOSHEP-2013\Contract 3669 - SPS No. 6\ARCHITECTURAL\SHIT 8_NO 6_ARCH_FRAME.dwg



1 OPERATING FLOOR / ARCHITECTURAL FRAMING PLAN
1/2" = 1'-0"

2 STAIR PLAN
1/2" = 1'-0"

3 COMBINED ROOF AND FRAMING PLAN
1/2" = 1'-0"

ARCHITECTURAL

REV.	DATE	DESCRIPTION	BY

SEWERAGE AND WATER BOARD
OF NEW ORLEANS

CONTRACT 3669
HURRICANE KATRINA RELATED
404 HAZARD MITIGATION GRANT PROGRAM
REPLACEMENT OF SEWAGE LIFT STATION NO. 6

FLOOR FRAMING AND ROOF PLANS

DR. JW	
TRC. ---	
CK. DW	
AP. DW	
SCALE: AS NOTED	DWG. No. 12040-W-63
DATE: JUNE 2011	SHEET NO. 8

NOTE: REMOVABLE FLOOR GRATING TO BE INSTALLED OVER ENTIRE OPERATING FLOOR EXCEPT AT LADDER ACCESS. TYPICAL GRATING PANELS SIZE VARIES AT THIS PUMP STATION

ROOF PENETRATION FOR SCADA ANTENNA. INSTALL PER MANUF. SPECIFICATIONS

ALUMINUM DRIP EDGE
STANDING SEAM METAL ROOF OVER 2 PLY #15 ROOFING FELT AND 5/8" TREATED PLYWOOD DECKING

VENTS BELOW
8" CMU WALL BELOW
2x WOOD FRAMING @ 16" O.C. REFER TO STRUCTURAL DRAWINGS

6" LEDGE FOR GRATING (4 WALLS)

1'-2" CONC. WALL (TYP)

1" STUCCO OVER METAL LATH (TYP)

16"x16" MASONRY OPENING FOR EXHAUST FAN SEE SHEET NO. 12

GALVANIZED GRATED PLATFORM AT 6.75' ABOVE GRADE. EL. 24.00'

8X8X16 CMU WALL

OPERATING FLOOR. EL. 24.00' AT TOP OF GRATING

C/ REQ'D MONORAIL SEE SHEET NO. 16 AND 17

TOP OF CONCRETE WALL BELOW

11" O.D. GALV. STEEL HANDRAIL W/ HOLLANDER NURAIL FITTINGS

NO GRATING AT LADDER AREA ONLY

GALV. STEEL LADDER FOR PIT ACCESS. SEE SHEET NO. 22

24"x24" LOUVER

24"x24" MASONRY OPENING FOR EXHAUST BLOWER

STEEL BEAM SEE SHEET NO. 16

24"x24" LOUVER

7'-4" x 7'-0" DOOR. SEE SHEETS NO. 11 AND 12 FOR FURTHER INFORMATION.

GALVANIZED GRATED PLATFORM AT 6.75' ABOVE GRADE. EL. 24.00'

9' REMOVABLE RAILING

SEE DETAIL #2, SHEET 8 FOR STAIR PLAN

12 RISERS TOTAL 11" TREADS, TYP.

11" TYP.

3'-6"

12 RISERS TOTAL 11" TREADS, TYP.

11" TYP.

3'-6"

12 RISERS TOTAL 11" TREADS, TYP.

11" TYP.

3'-6"

12 RISERS TOTAL 11" TREADS, TYP.

11" TYP.

3'-6"

12 RISERS TOTAL 11" TREADS, TYP.

11" TYP.

3'-6"

12 RISERS TOTAL 11" TREADS, TYP.

11" TYP.

3'-6"

12 RISERS TOTAL 11" TREADS, TYP.

11" TYP.

3'-6"

12 RISERS TOTAL 11" TREADS, TYP.

11" TYP.

3'-6"

12 RISERS TOTAL 11" TREADS, TYP.

11" TYP.

3'-6"

12 RISERS TOTAL 11" TREADS, TYP.

11" TYP.

3'-6"

12 RISERS TOTAL 11" TREADS, TYP.

11" TYP.

3'-6"

12 RISERS TOTAL 11" TREADS, TYP.

11" TYP.

3'-6"

12 RISERS TOTAL 11" TREADS, TYP.

11" TYP.

3'-6"

12 RISERS TOTAL 11" TREADS, TYP.

11" TYP.

3'-6"

12 RISERS TOTAL 11" TREADS, TYP.

11" TYP.

3'-6"

12 RISERS TOTAL 11" TREADS, TYP.

11" TYP.

3'-6"

12 RISERS TOTAL 11" TREADS, TYP.

11" TYP.

3'-6"

12 RISERS TOTAL 11" TREADS, TYP.

11" TYP.

3'-6"

12 RISERS TOTAL 11" TREADS, TYP.

11" TYP.

3'-6"

12 RISERS TOTAL 11" TREADS, TYP.

11" TYP.

3'-6"

12 RISERS TOTAL 11" TREADS, TYP.

11" TYP.

3'-6"

12 RISERS TOTAL 11" TREADS, TYP.

11" TYP.

3'-6"

12 RISERS TOTAL 11" TREADS, TYP.

11" TYP.

3'-6"

12 RISERS TOTAL 11" TREADS, TYP.

11" TYP.

3'-6"

12 RISERS TOTAL 11" TREADS, TYP.

11" TYP.

3'-6"

12 RISERS TOTAL 11" TREADS, TYP.

11" TYP.

3'-6"

12 RISERS TOTAL 11" TREADS, TYP.

11" TYP.

3'-6"

12 RISERS TOTAL 11" TREADS, TYP.

11" TYP.

3'-6"

12 RISERS TOTAL 11" TREADS, TYP.

11" TYP.

3'-6"

12 RISERS TOTAL 11" TREADS, TYP.

11" TYP.

3'-6"

12 RISERS TOTAL 11" TREADS, TYP.

11" TYP.

3'-6"

12 RISERS TOTAL 11" TREADS, TYP.

11" TYP.

3'-6"

12 RISERS TOTAL 11" TREADS, TYP.

11" TYP.

3'-6"

12 RISERS TOTAL 11" TREADS, TYP.

11" TYP.

3'-6"

12 RISERS TOTAL 11" TREADS, TYP.

11" TYP.

3'-6"

12 RISERS TOTAL 11" TREADS, TYP.

11" TYP.

3'-6"

12 RISERS TOTAL 11" TREADS, TYP.

11" TYP.

3'-6"

12 RISERS TOTAL 11" TREADS, TYP.

11" TYP.

3'-6"

12 RISERS TOTAL 11" TREADS, TYP.

11" TYP.

3'-6"

12 RISERS TOTAL 11" TREADS, TYP.

11" TYP.

3'-6"

12 RISERS TOTAL 11" TREADS, TYP.

11" TYP.

3'-6"

12 RISERS TOTAL 11" TREADS, TYP.

11" TYP.

3'-6"

12 RISERS TOTAL 11" TREADS, TYP.

11" TYP.

3'-6"

12 RISERS TOTAL 11" TREADS, TYP.

11" TYP.

3'-6"

12 RISERS TOTAL 11" TREADS, TYP.

11" TYP.

3'-6"

12 RISERS TOTAL 11" TREADS, TYP.

11" TYP.

3'-6"

12 RISERS TOTAL 11" TREADS, TYP.

11" TYP.

3'-6"

12 RISERS TOTAL 11" TREADS, TYP.

11" TYP.

3'-6"

12 RISERS TOTAL 11" TREADS, TYP.

11" TYP.

3'-6"

12 RISERS TOTAL 11" TREADS, TYP.

11" TYP.

3'-6"

12 RISERS TOTAL 11" TREADS, TYP.

11" TYP.

3'-6"

12 RISERS TOTAL 11" TREADS, TYP.

11" TYP.

3'-6"

12 RISERS TOTAL 11" TREADS, TYP.

11" TYP.

3'-6"

12 RISERS TOTAL 11" TREADS, TYP.

11" TYP.

3'-6"

12 RISERS TOTAL 11" TREADS, TYP.

11" TYP.

3'-6"

12 RISERS TOTAL 11" TREADS, TYP.

11" TYP.

3'-6"

12 RISERS TOTAL 11" TREADS, TYP.

11" TYP.

3'-6"

12 RISERS TOTAL 11" TREADS, TYP.

11" TYP.

3'-6"

12 RISERS TOTAL 11" TREADS, TYP.

11" TYP.

3'-6"

12 RISERS TOTAL 11" TREADS, TYP.

11" TYP.

3'-6"

12 RISERS TOTAL 11" TREADS, TYP.

11" TYP.

3'-6"

12 RISERS TOTAL 11" TREADS, TYP.

11" TYP.

3'-6"

12 RISERS TOTAL 11" TREADS, TYP.

11" TYP.

3'-6"

12 RISERS TOTAL 11" TREADS, TYP.

11" TYP.

3'-6"

12 RISERS TOTAL 11" TREADS, TYP.

11" TYP.

3'-6"

12 RISERS TOTAL 11" TREADS, TYP.

11" TYP.

3'-6"

12 RISERS TOTAL 11" TREADS, TYP.

11" TYP.

3'-6"

12 RISERS TOTAL 11" TREADS, TYP.

11" TYP.

3'-6"

12 RISERS TOTAL 11" TREADS, TYP.

11" TYP.

3'-6"

12 RISERS TOTAL 11" TREADS, TYP.

11" TYP.

3'-6"

12 RISERS TOTAL 11" TREADS, TYP.

11" TYP.

3'-6"

12 RISERS TOTAL 11" TREADS, TYP.

11" TYP.

3'-6"

12 RISERS TOTAL 11" TREADS, TYP.

11" TYP.

3'-6"

12 RISERS TOTAL 11" TREADS, TYP.

11" TYP.

3'-6"

12 RISERS TOTAL 11" TREADS, TYP.

11" TYP.

3'-6"

12 RISERS TOTAL 11" TREADS, TYP.

11" TYP.

3'-6"

12 RISERS TOTAL 11" TREADS, TYP.

11" TYP.

3'-6"

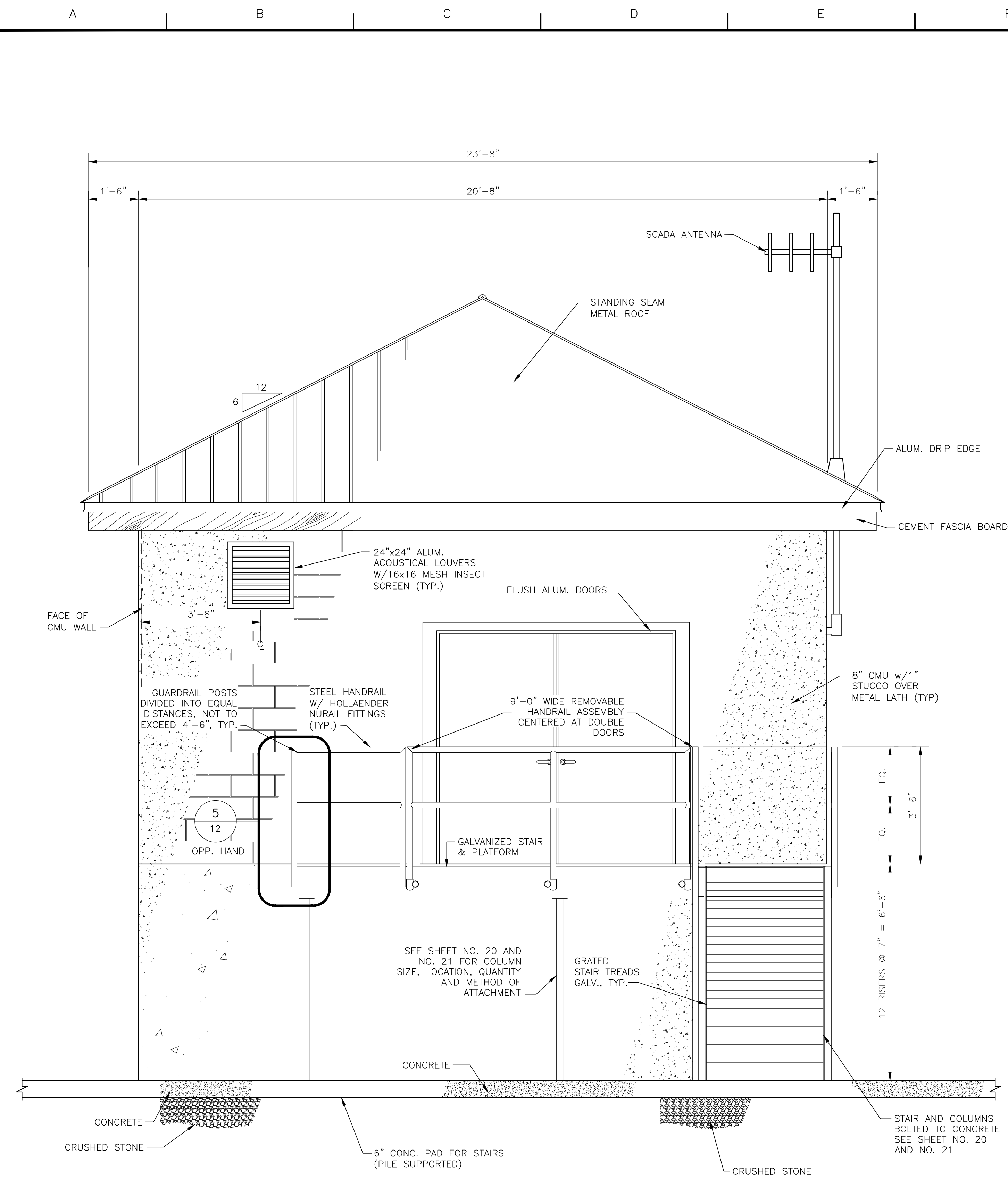
12 RISERS TOTAL 11" TREADS, TYP.

11" TYP.

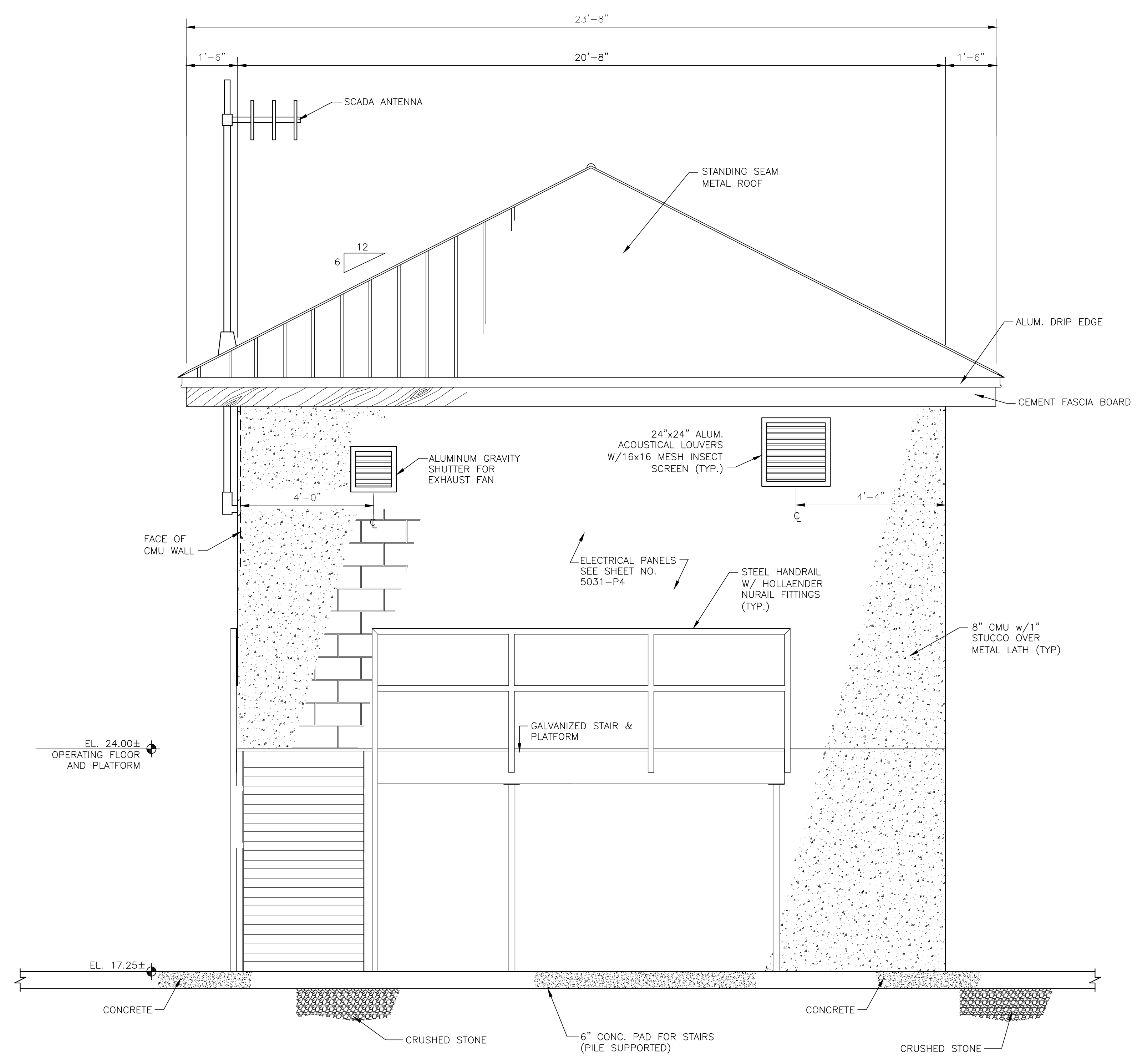
3'-6"

12 RISERS TOTAL 11" TREADS, TYP.

PRINTED Aug 08, 2013 - 1:56pm FILENAME - u:\6005.1-GOSHEP-2013\Contract 3669 - SPS No. 6\ARCHITECTURAL\SHIT 9_NO 6_BLDG EL.dwg



1 SOUTH ELEVATION
1/2" = 1'-0"

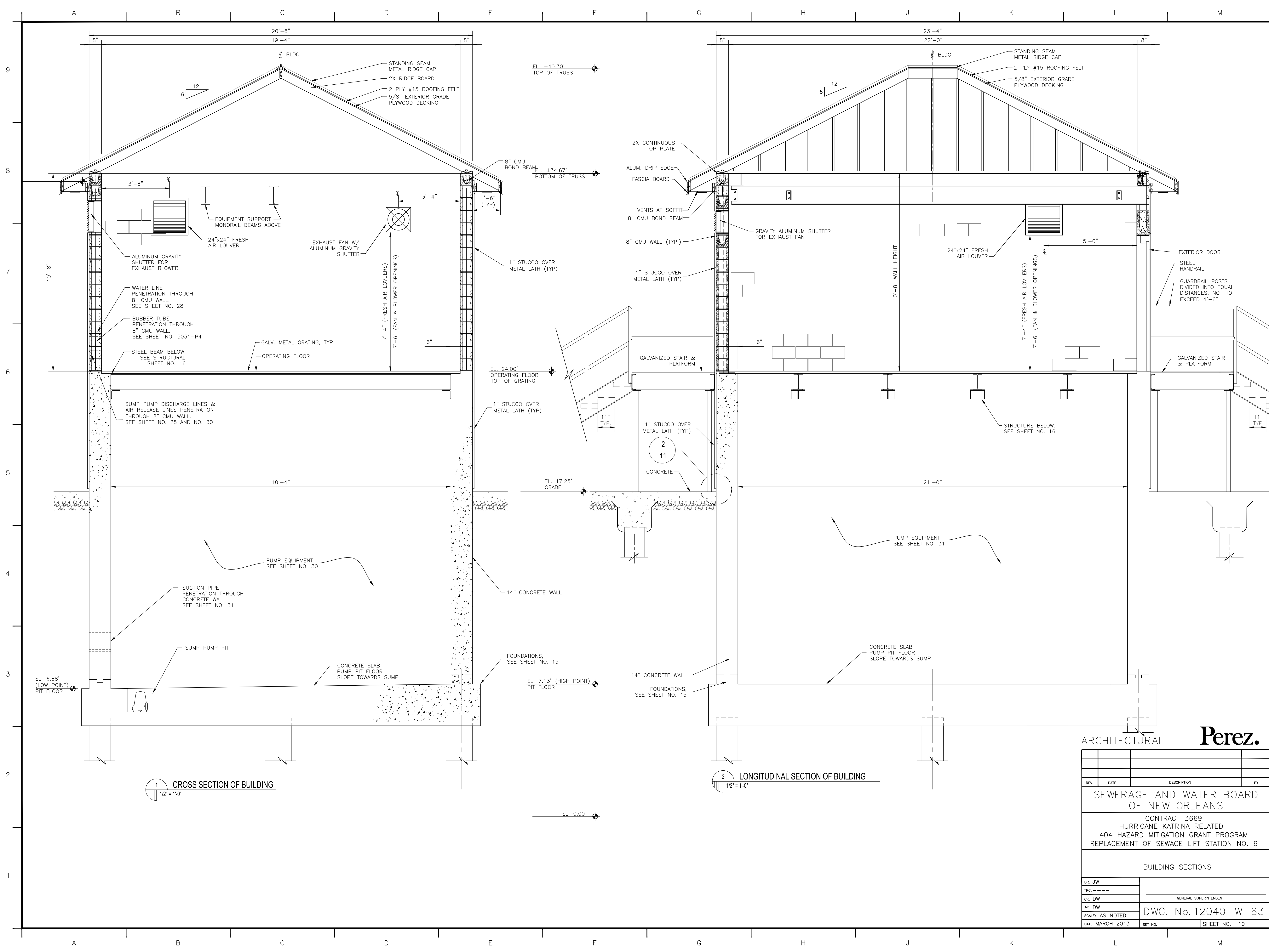


2 NORTH ELEVATION
1/2" = 1'-0"

ARCHITECTURAL **Perez.**

REV.	DATE	DESCRIPTION	BY
SEWERAGE AND WATER BOARD OF NEW ORLEANS			
CONTRACT 3669 HURRICANE KATRINA RELATED 404 HAZARD MITIGATION GRANT PROGRAM REPLACEMENT OF SEWAGE LIFT STATION NO. 6			
BUILDING ELEVATIONS			
DR. JW			
TRC. ---			
CK. DW			
AP. DW			
SCALE: AS NOTED		DWG. No. 12040-W-63	
DATE: MARCH 2013	SET NO.		SHEET NO. 9

DESIGN ENGINEERING INC.
3330 West Esplanade Ave. S.
Suite 209
Metairie, LA 70002
(504) 836-2155

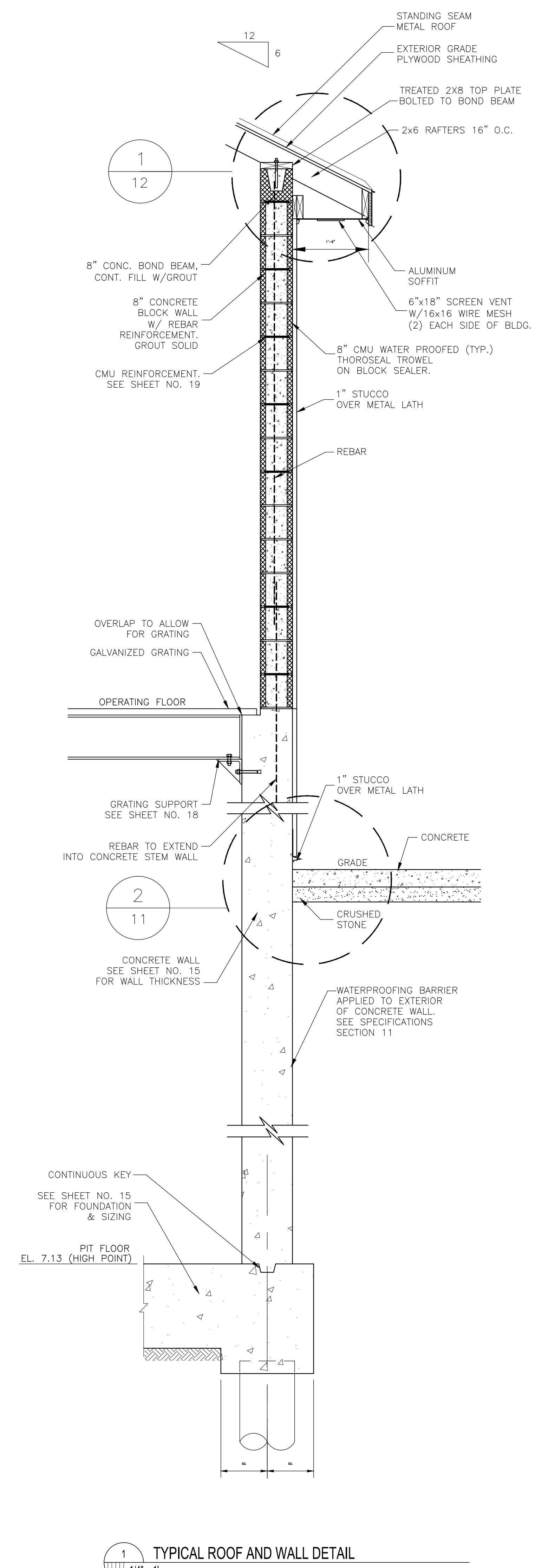


1 CROSS SECTION OF BUILDING
1/2" = 1'-0"

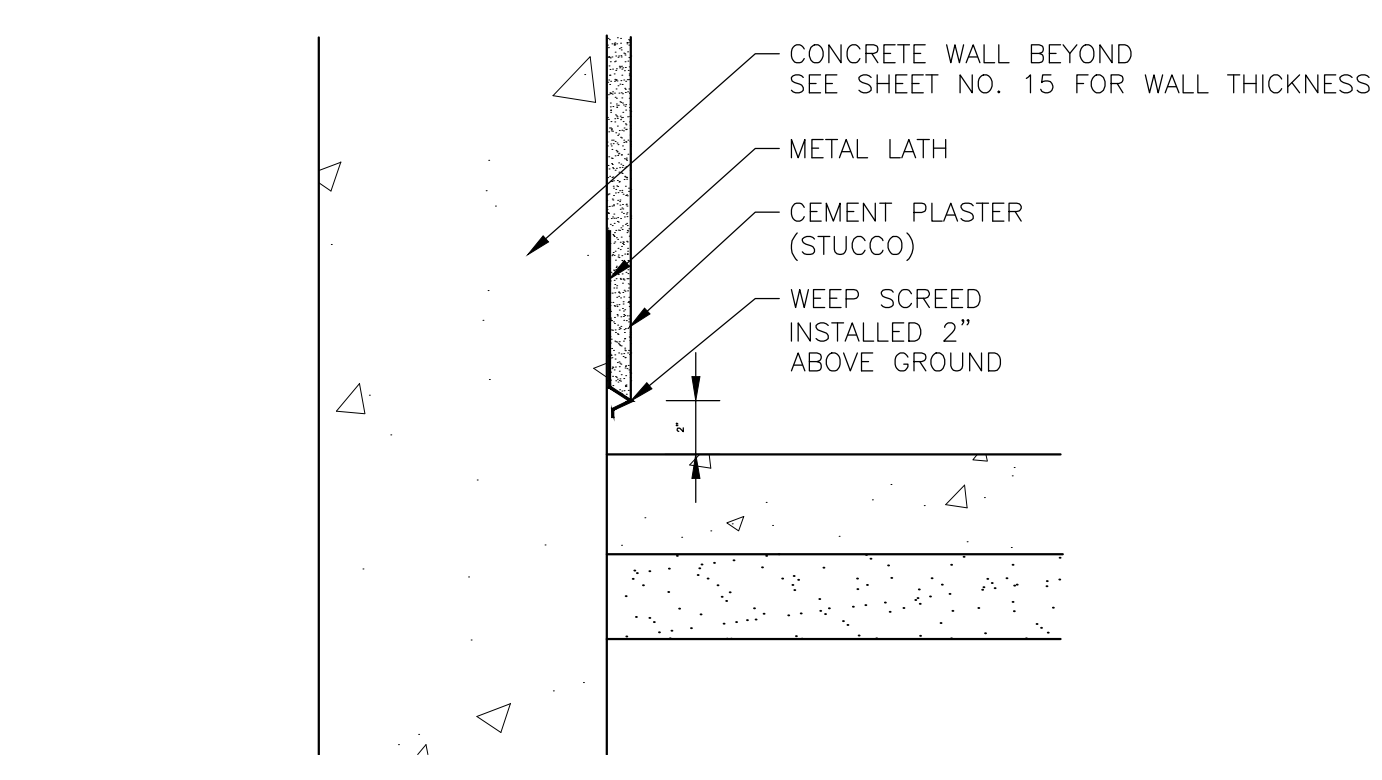
2 LONGITUDINAL SECTION OF BUILDING
1/2" = 1'-0"

ARCHITECTURAL
Perez.

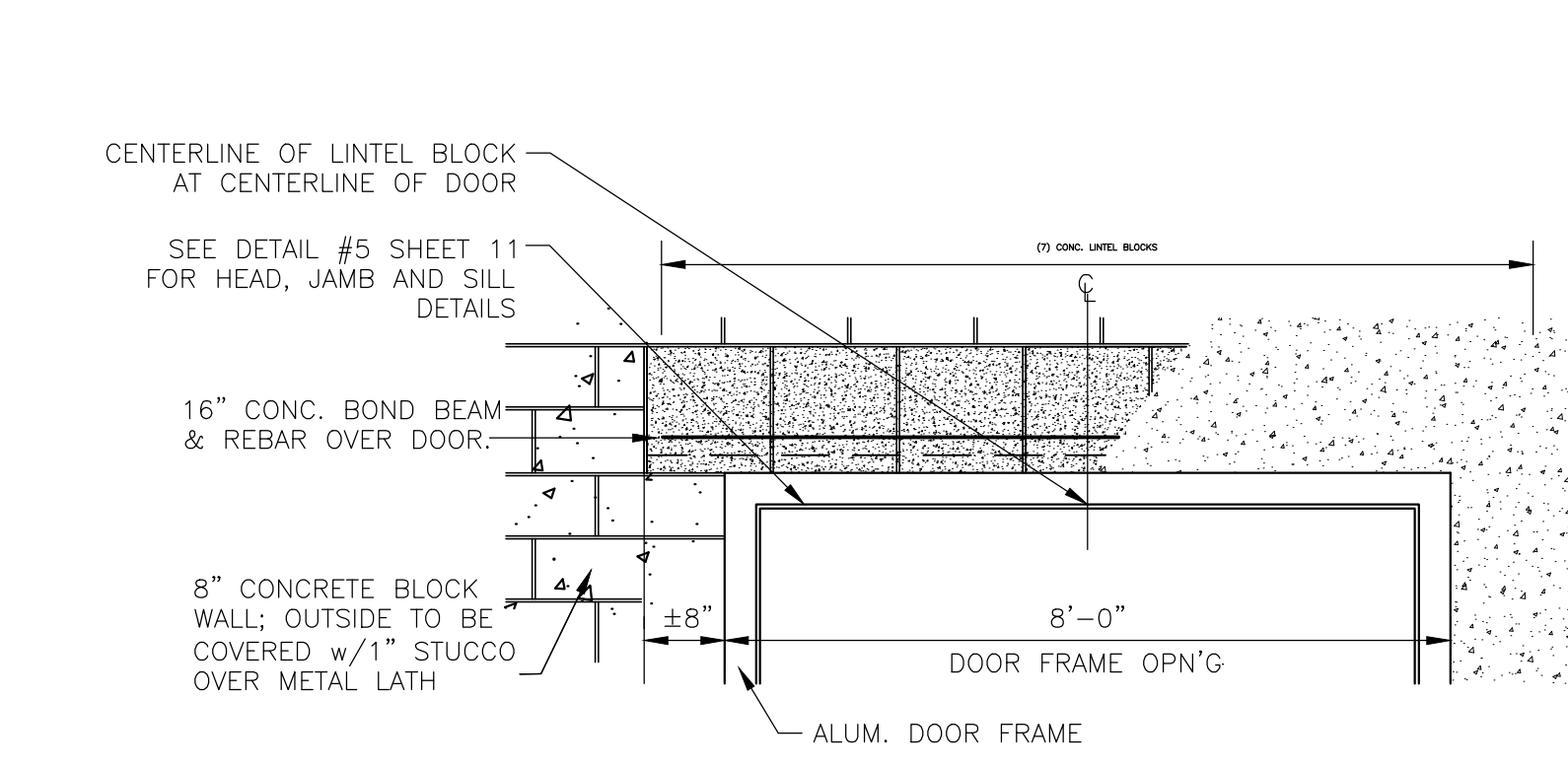
REV.	DATE	DESCRIPTION	BY
SEWERAGE AND WATER BOARD OF NEW ORLEANS			
CONTRACT 3669 HURRICANE KATRINA RELATED 404 HAZARD MITIGATION GRANT PROGRAM REPLACEMENT OF SEWAGE LIFT STATION NO. 6			
BUILDING SECTIONS			
DR. JW			
TRC. ---			
CK. DW			
AP. DW			
SCALE: AS NOTED		DWG. No. 12040-W-63	
DATE: MARCH 2013	SET NO.		SHEET NO. 10



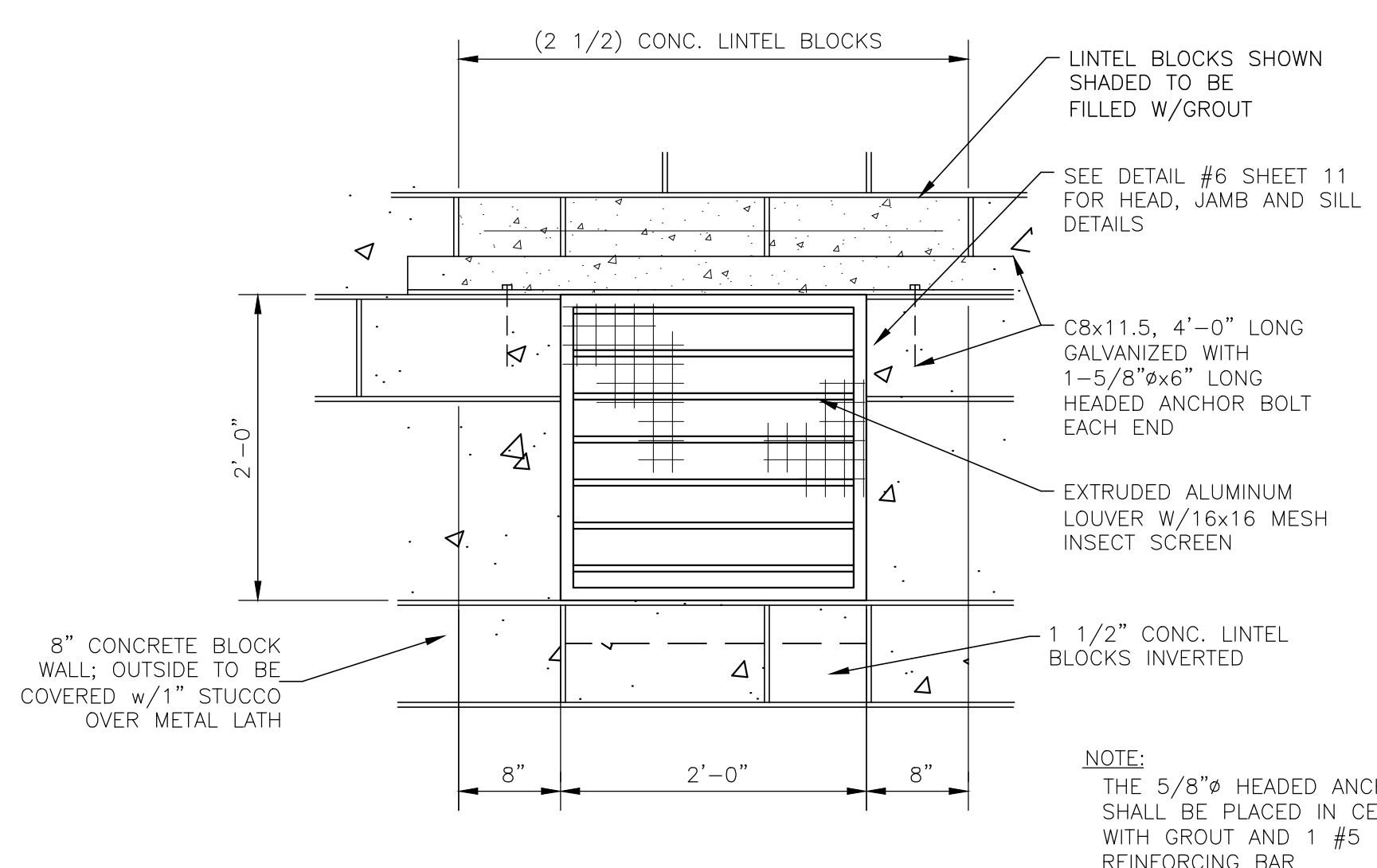
1 TYPICAL ROOF AND WALL DETAIL
1/4" = 1'



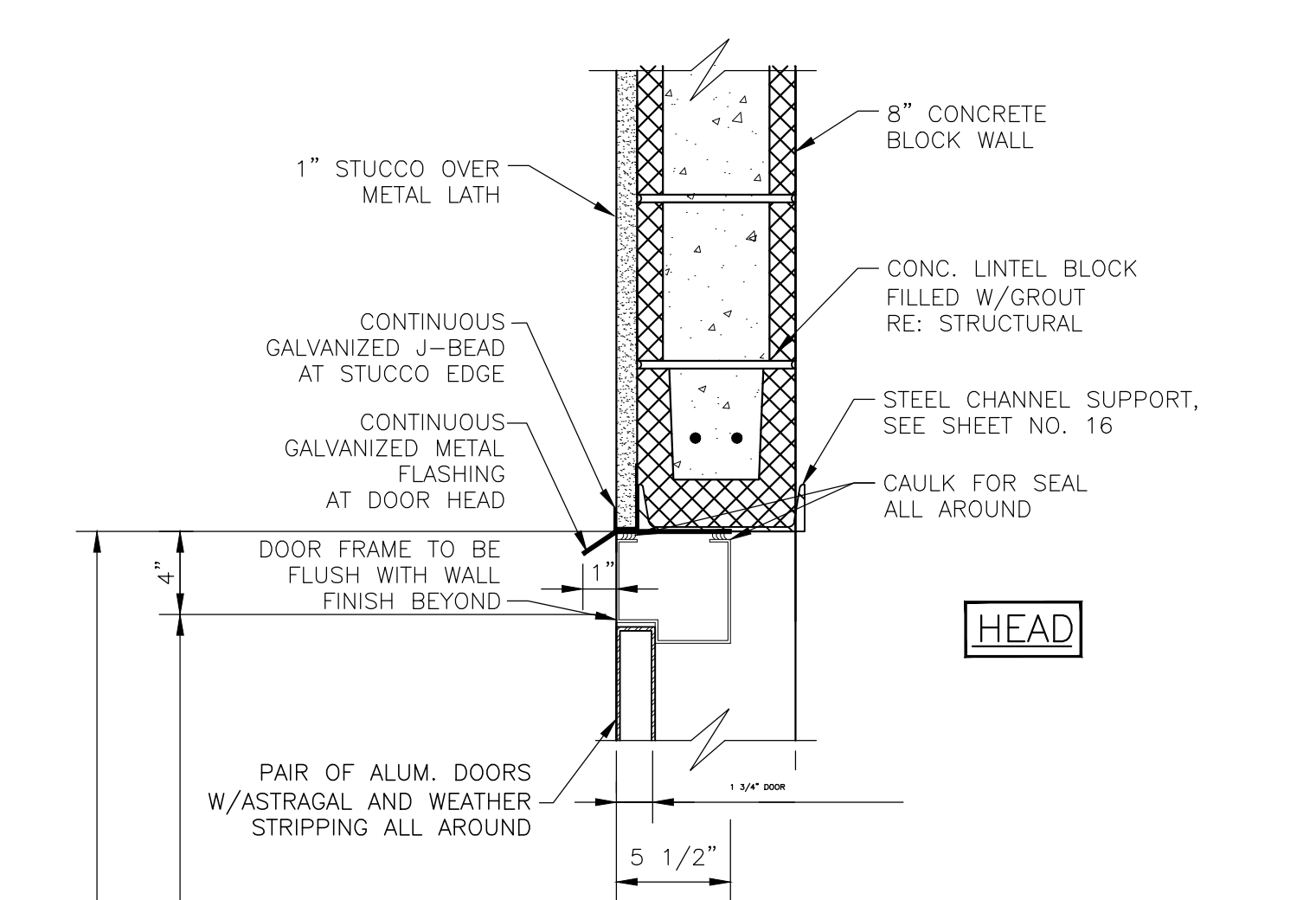
2 STUCCO BASE DETAIL
1 1/2" = 1'



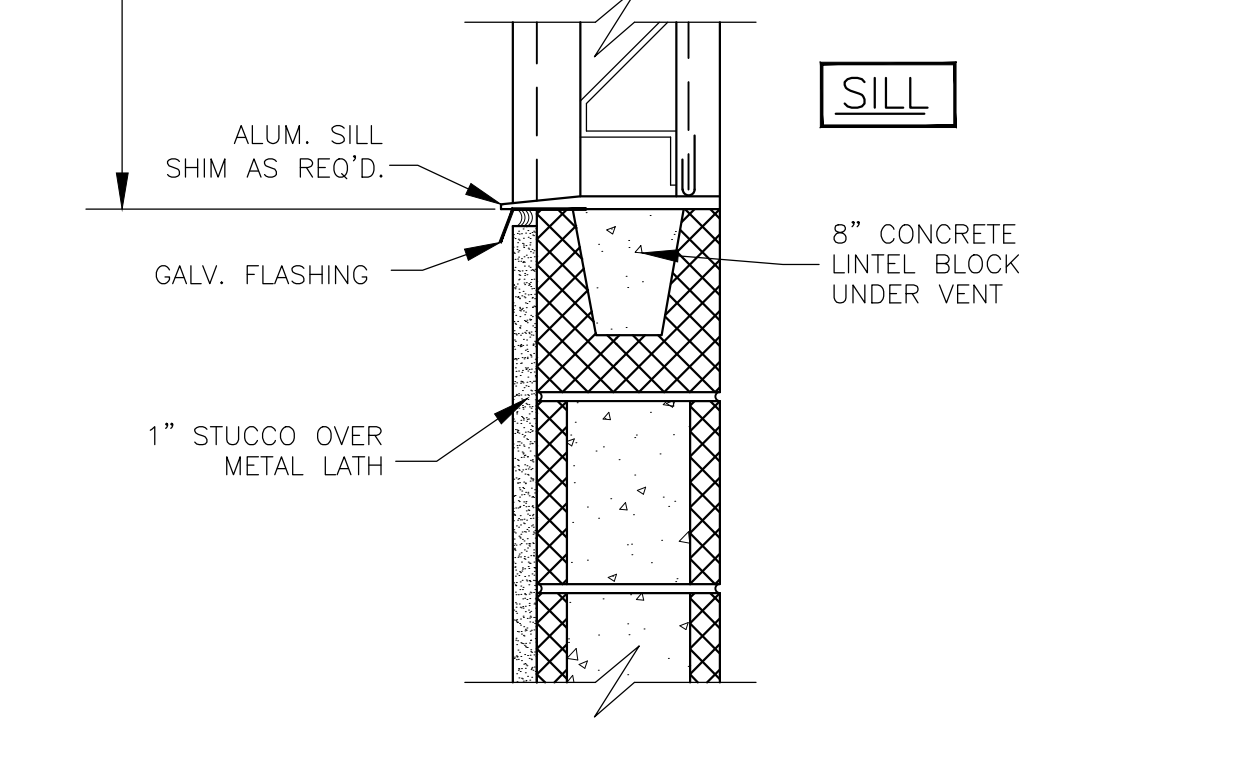
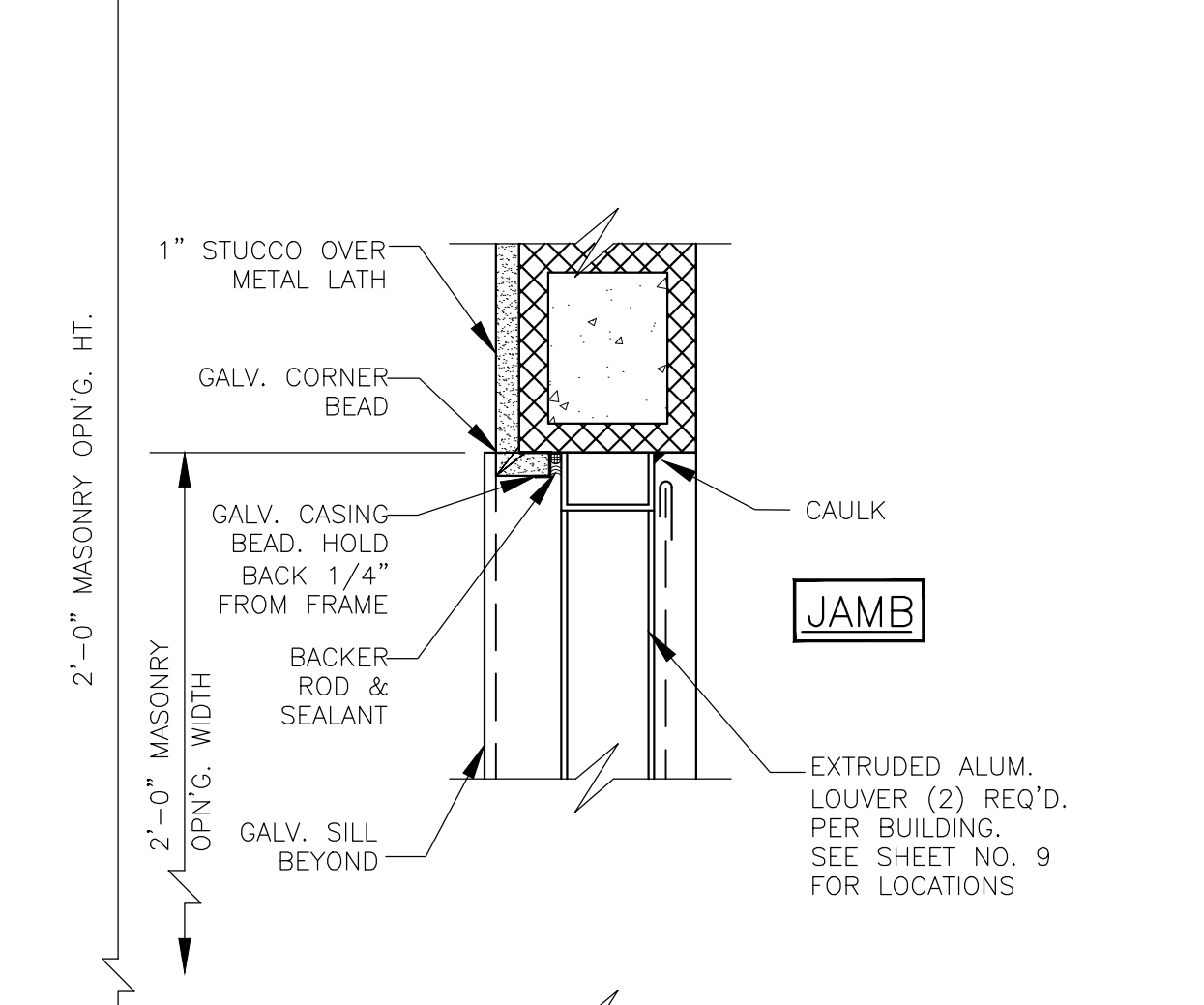
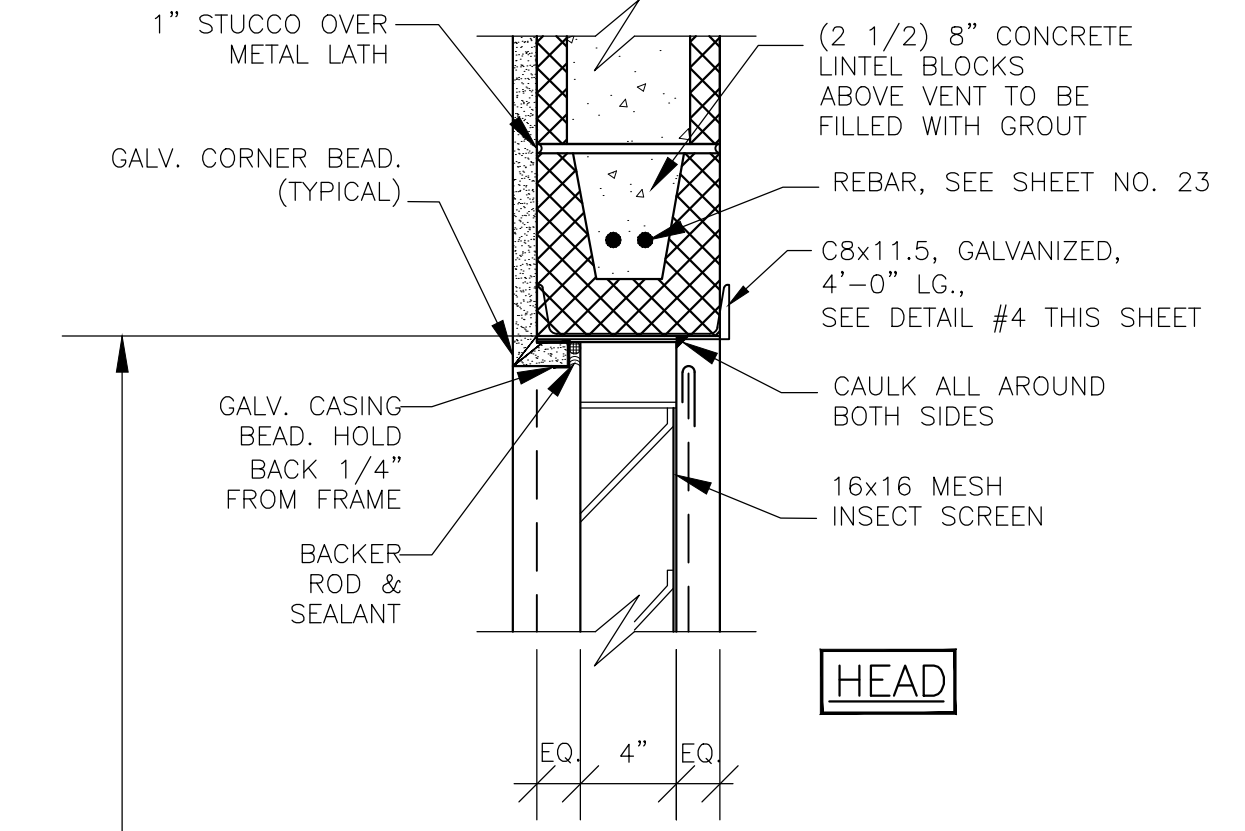
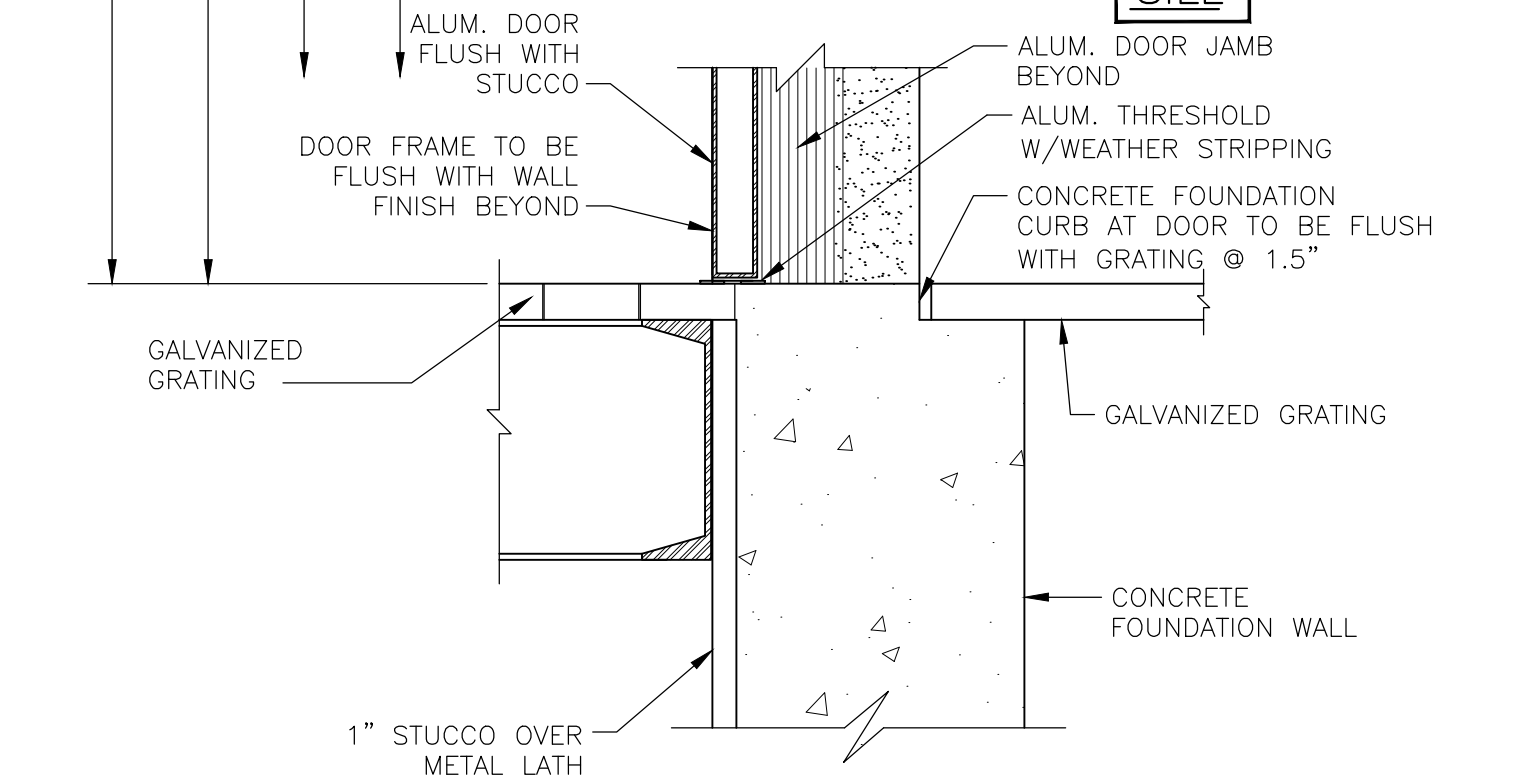
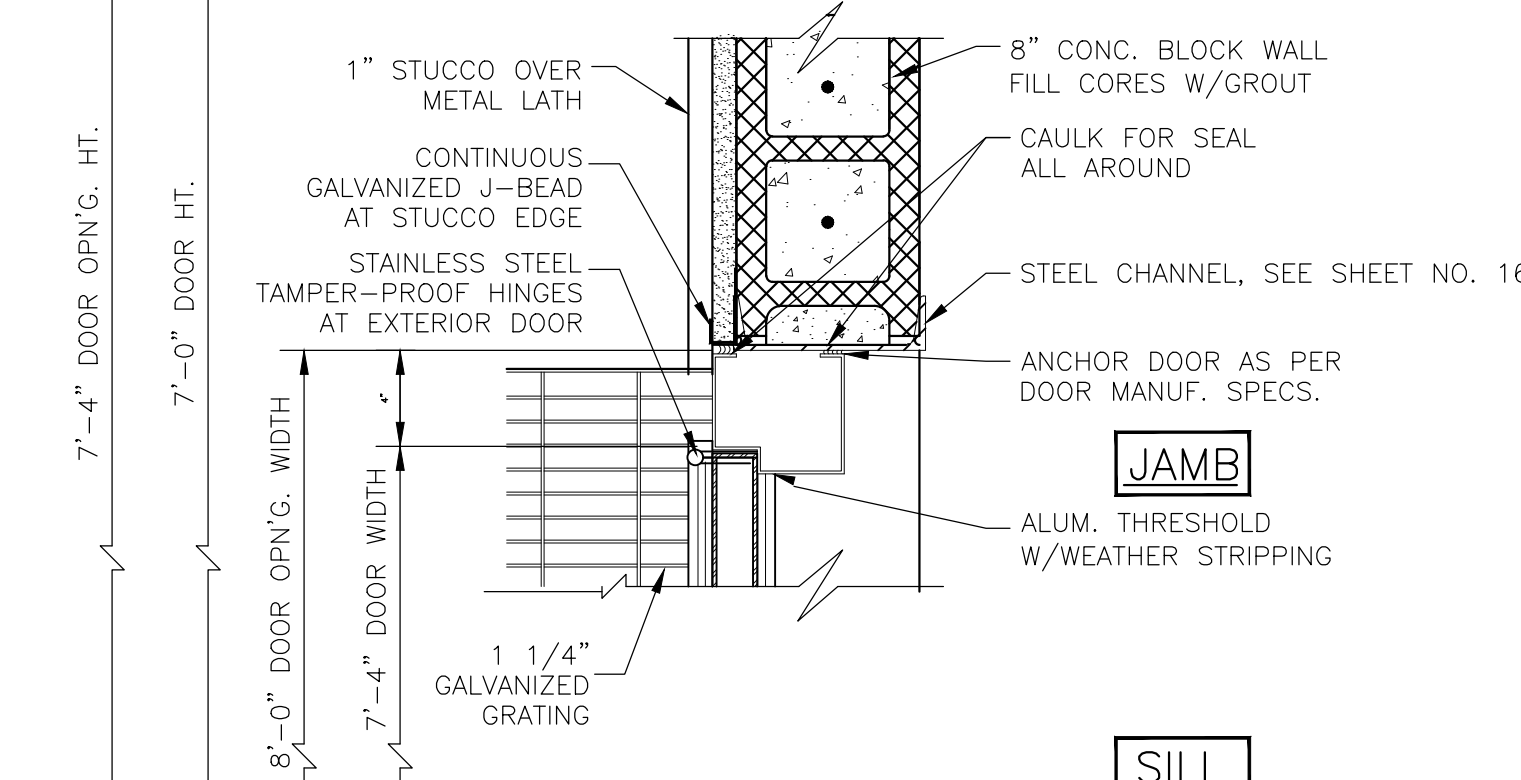
3 DOOR FRAME AND LINTEL DETAIL
1/2" = 1'



4 ENLARGED LOUVER ELEVATION
1" = 1'



5 TYPICAL DOOR FRAME DETAIL
1 1/2" = 1'



6 LOUVER DETAIL
1 1/2" = 1'

ARCHITECTURAL			
REV.	DATE	DESCRIPTION	BY
SEWERAGE AND WATER BOARD OF NEW ORLEANS			
CONTRACT 3669 HURRICANE KATRINA RELATED 404 HAZARD MITIGATION GRANT PROGRAM REPLACEMENT OF SEWAGE LIFT STATION NO. 6			
ARCHITECTURAL DETAILS			
DR. JW			
TRC. ---			
CK. DW			GENERAL SUPERINTENDENT
AP. DW			
SCALE: AS NOTED		DWG. No. 12040-W-63	
DATE: JUNE 2011	SET NO.	SHEET NO. 11	

EUSTIS ENGINEERING COMPANY, INC.

LOG OF BORING AND TEST RESULTS

SEWERAGE & WATER BOARD OF NEW ORLEANS
WASTEWATER REHABILITATION PROGRAM
DESIGN PACKAGE NO. 4
NEW ORLEANS, LOUISIANA

(Sheet 1 of 2)



Ground Elev.: Datum: Gr. Water Depth: See Text Job No.: 20701 Date Drilled: 8/19-21/09 Boring: 6 Refer to "Legends & Notes"

Scale In Feet	PP	SPT	SPLR	Symbol	Visual Classification	USC	Sample Number	Depth In Feet	Water Content Percent	Density		Shear Tests			Atterberg Limits			Other Tests
										Dry	Wet	Type	φ	C	LL	PL	PI	
0					Grayish-tan organic clay w/roots & gravel	OH	1	0-0.5										
1.00					Loose gray sand w/gravel	SP	2	2-3	32									
0.50					Medium stiff brown clay w/gravel & organic matter	CH	3	5-6	52									
0.50					Extremely soft to soft dark gray clay w/organic matter & roots	CH	4	8-9	82	54	98	UC	--	215				
							5	11-12	128	39	88	UC	--	104	142	37	105	
					Very soft to soft dark gray clay w/silt & sandy silt layers	CH	6	14-15	168	31	84	UC	--	353				
							7	19-20	56	71	110	UC	--	199	55	22	33	
					Very soft to soft gray clay	CH	8	23-24	56	70	109	UC	--	328				
							9	28-29										
					Very soft dark gray clay w/silty sand layers	CH	10	33-34	77	56	99	UC	--	408				
							11	38-39	62	64	104	UC	--	159				
					Very loose gray sand w/shells	SP	12	43-44	29									
							13	48-49	50	74	110	UC	--	200				

Comments: Latitude: 29° 58.436' N
Longitude: 90° 06.211' W
Sewage Pump Station #6

LEGEND AND NOTES FOR LOG OF BORING AND TEST RESULTS

- PP Pocket penetrometer: Resistance in tons per square foot
- SPT Standard Penetration Test: Number of blows of a 140-lb hammer dropped 30 inches required to drive 2-in. O.D., 1.4-in. I.D. sampler a distance of 1 foot into the soil after first seating it 6 inches
- SPLR Type of Sampling Shelby SPT Auger No sample
- SYMBOL Clay Silt Sand Peat/Humus Shells Stone/Gravel
Predominant type shown heavy; Modifying type shown light
- USC Unified Soil Classification
- DENSITY Unit weight in pounds per cubic foot
- SHEAR TESTS
TYPE
UC Unconfined compression shear
OB Unconsolidated undrained triaxial compression shear on one specimen confined at the approximate overburden pressure
UU Unconsolidated undrained triaxial compression shear
CU Consolidated undrained triaxial compression shear
DS Direct shear
- φ Angle of internal friction in degrees
c Cohesion in pounds per square foot
- ATTERBERG LIMITS
LL Liquid Limit
PL Plastic Limit
PI Plasticity Index
- OTHER TESTS
CON Consolidation
PD Particle size distribution (sieve and/or hydrometer)
k Coefficient of permeability in centimeters per second
SP Swelling pressure in pounds per square foot
- Other laboratory test results reported on separate figures

GENERAL NOTES

- (1) If a ground water depth is shown on the boring log, these observations were made at the time of drilling and were measured below the existing ground surface. These observations are shown on the boring logs. However, ground water levels may vary due to seasonal fluctuations and other factors. If important to construction, the depth to ground water should be determined by those persons responsible for construction immediately prior to beginning work.
- (2) While the individual logs of borings are considered to be representative of subsurface conditions at their respective locations on the dates shown, it is not warranted that they are representative of subsurface conditions at other locations and times.

EUSTIS ENGINEERING COMPANY, INC.

LOG OF BORING AND TEST RESULTS

SEWERAGE & WATER BOARD OF NEW ORLEANS
WASTEWATER REHABILITATION PROGRAM
DESIGN PACKAGE NO. 4
NEW ORLEANS, LOUISIANA

(Sheet 2 of 2)



Ground Elev.: Datum: Gr. Water Depth: See Text Job No.: 20701 Date Drilled: 8/19-21/09 Boring: 6 Refer to "Legends & Notes"

Scale In Feet	PP	SPT	SPLR	Symbol	Visual Classification	USC	Sample Number	Depth In Feet	Water Content Percent	Density		Shear Tests			Atterberg Limits			Other Tests
										Dry	Wet	Type	φ	C	LL	PL	PI	
50					Very soft dark gray clay w/silty sand pockets & shell fragments	CH												
3.50					Very stiff greenish-gray & tan clay w/silty sand lenses & concretions	CH	14	53-54	18	115	135	UC	--	3308				
2.50					w/silt pockets		15	58-59										
3.00							16	63-64	29	95	123	UC	--	2299				
2.50							17	68-69										
1.50					Stiff greenish-gray clay w/sandy silt lenses	CH	18	73-74	29	95	123	UC	--	1150				
					Loose gray clayey silt	ML	19	78-79	32									
80					Loose to medium dense gray clayey sand w/clay layers	SC	20	83-84	25	102	128	OB	0	2766				
90					Loose to medium compact gray silt	ML	21	89-90	23									
							22	93-94	25									
					Stiff gray sandy clay	CL	23	98.5-100	41									

Comments: Latitude: 29° 58.436' N
Longitude: 90° 06.211' W
Sewage Pump Station #6

STRUCTURAL

REV.	DATE	DESCRIPTION	BY
SEWERAGE AND WATER BOARD OF NEW ORLEANS			
CONTRACTS 3669 HURRICANE KATRINA RELATED 404 HAZARD MITIGATION GRANT PROGRAM REPLACEMENT OF SEWAGE LIFT STATION NO. 6			
BORING LOGS			
DR. LN			
TRC. --			
CK. MS/AR			GENERAL SUPERINTENDENT
AP. JH			
SCALE. AS SHOWN			DWG. No. 12040-W-63
DATE. JANUARY 2012	SET NO.		SHEET NO. 13

DESIGN ENGINEERING INC.
3330 West Esplanade Ave. S.
Suite 205
Metairie, LA 70002
(504) 836-2155

PRINTED Aug 08, 2013 1:59pm FILENAME -- J:\6005.1-GOSHEP-2013\Contract 3669 -- SPS No. 6\SH13_NO 6_BORING.dwg