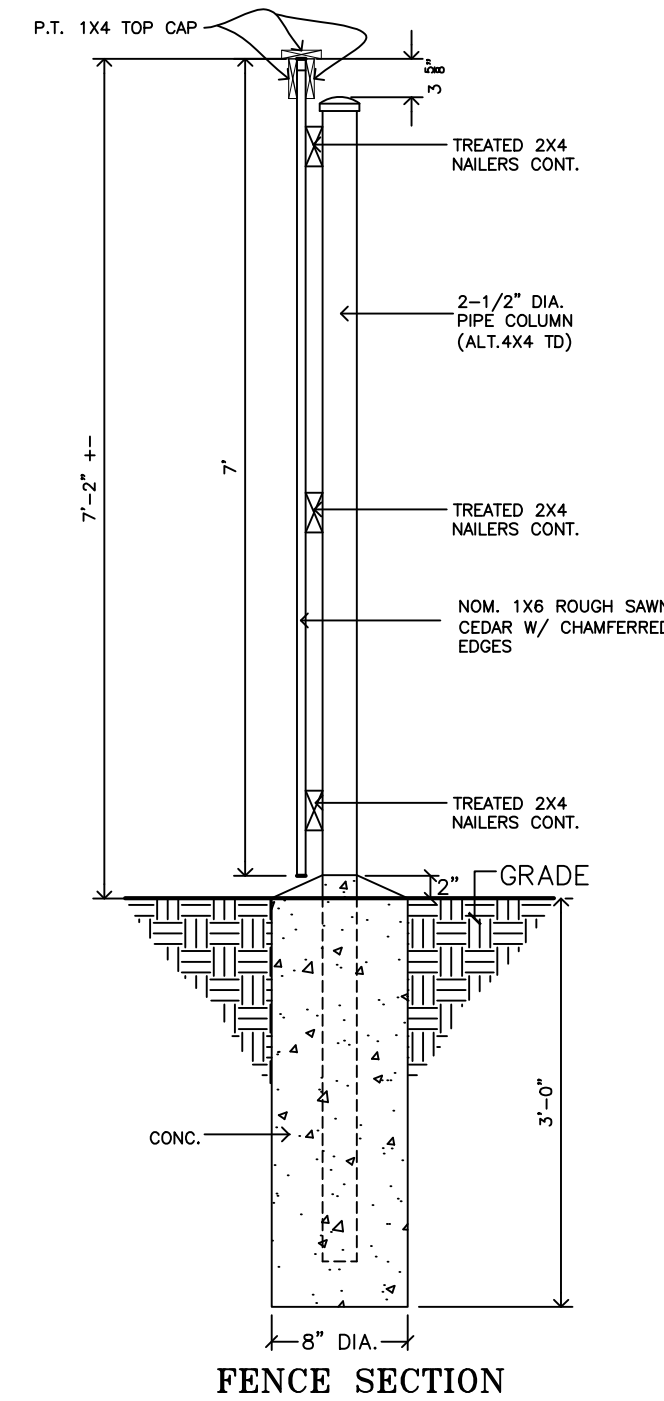
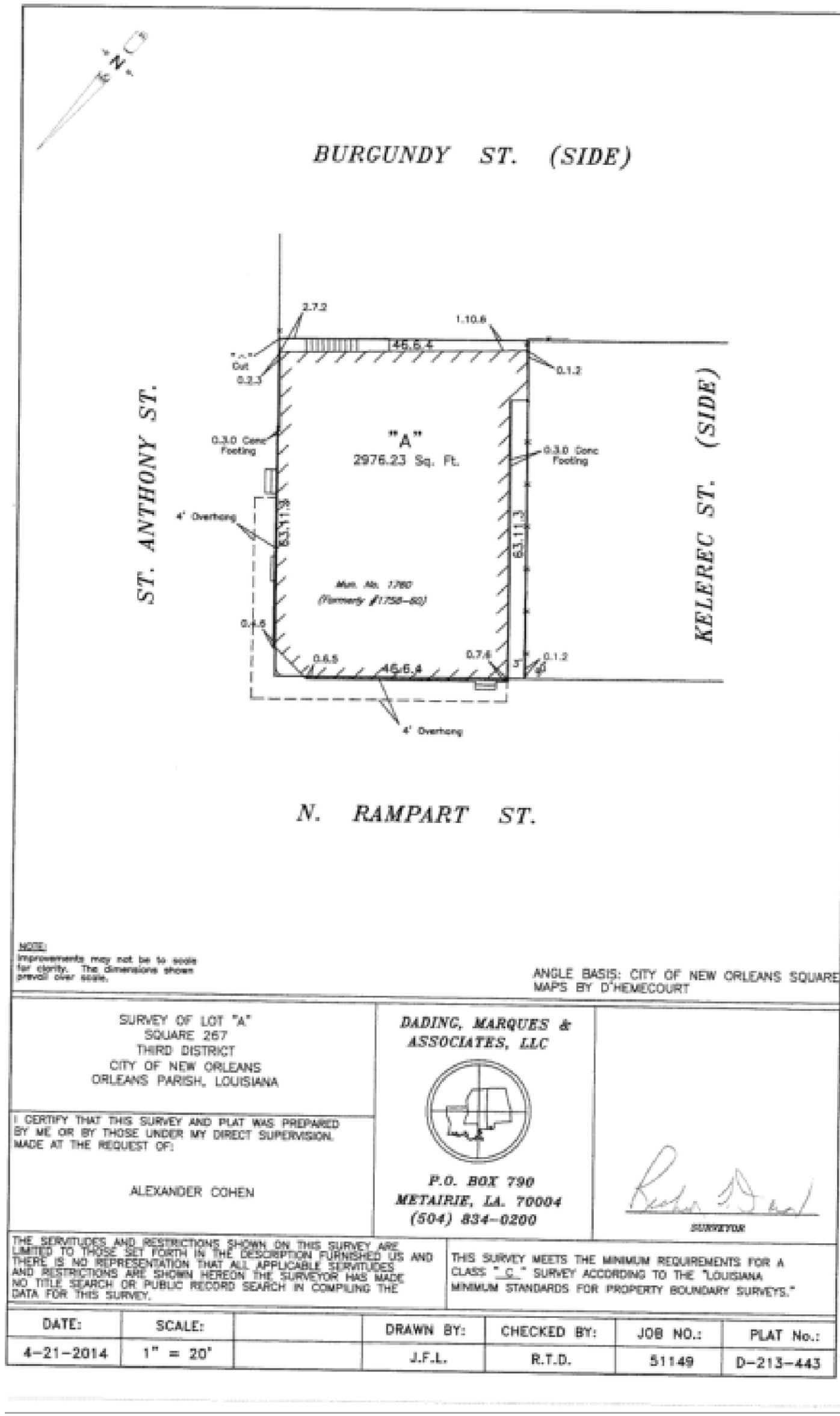


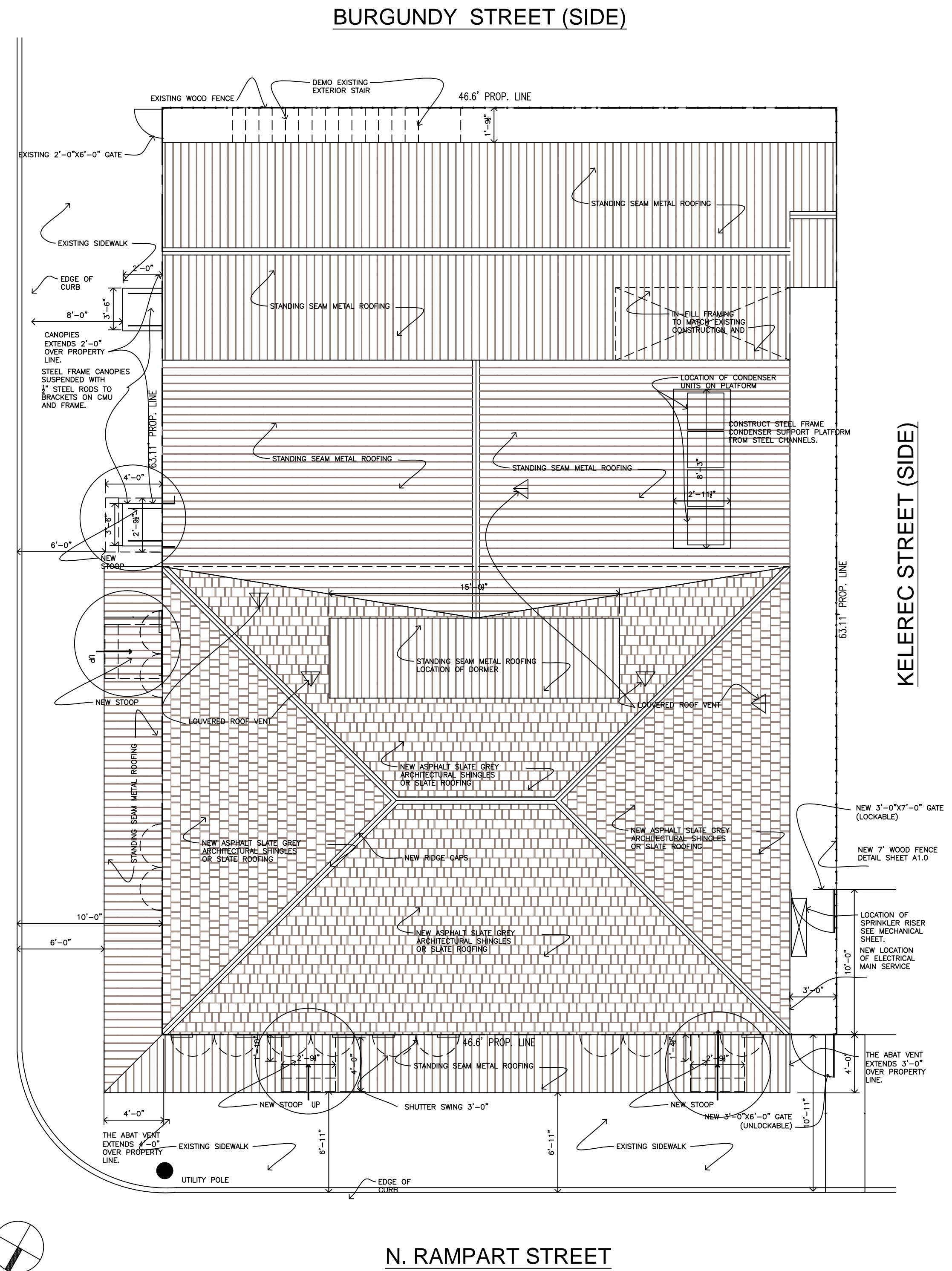
1 PLAN AND ELEVATION @ NEW FENCE
SCALE: 1/2" = 1'-0"



2 SECTION @ NEW FENCE
SCALE: 3/4" = 1'-0"



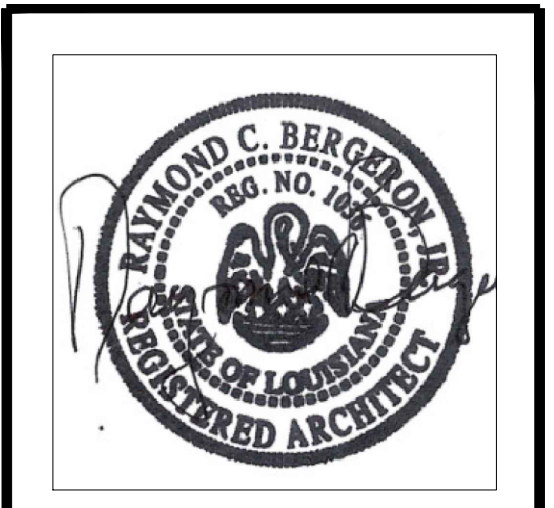
3 SURVEY
SCALE: N.T.S.



4 SITE PLAN
SCALE: 3/16" = 1'-0"

ARCHITECTS
PH# 504.251.5118
RAYMOND C. BERGERON, JR.
6725 WUERPEL STREET, NEW ORLEANS, LOUISIANA
RCBARCFPCOX.COM

RENOVATION AND RESTORATION
1760 N. RAMPART STREET
NEW ORLEANS, LA



DRWN BY	SCT
CHK'D BY	RCB
DATE	10/22/14
DATE	10/22/14

A1.0

SITE PLAN AND SURVEY

JOB NO.	0914
SHEET NO.	2 OF 18