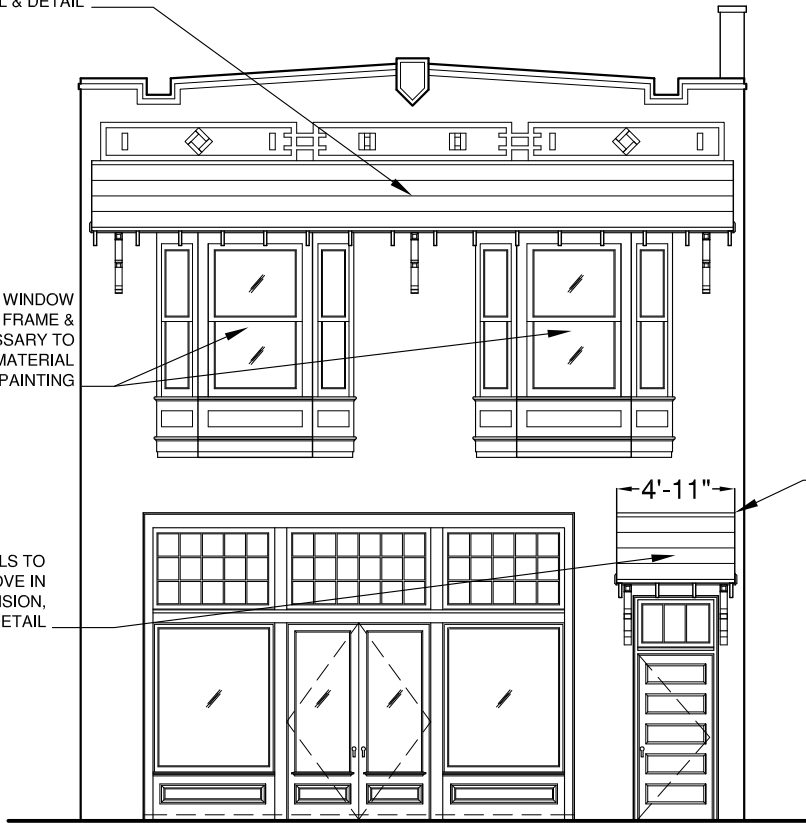
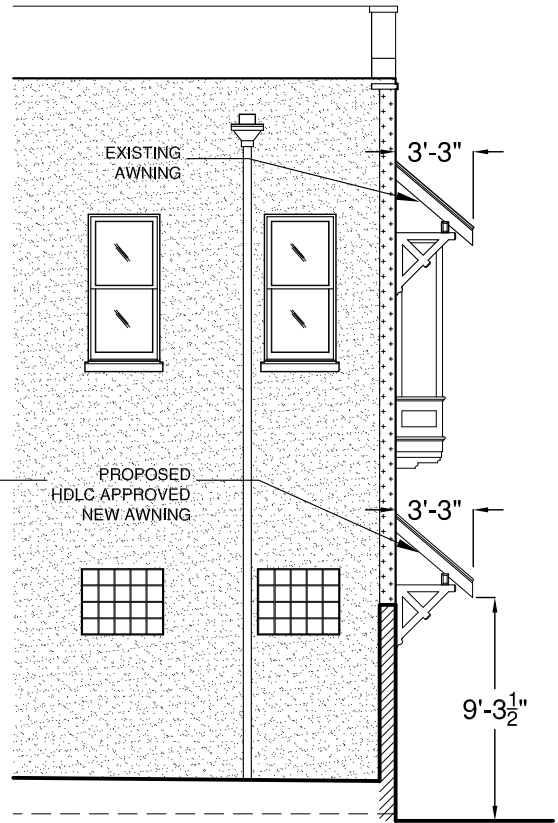
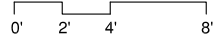


EXISTING ROOF OVERHANG -
RELAY CERAMIC TILE TO MATCH
EXISTING MATERIAL & DETAIL



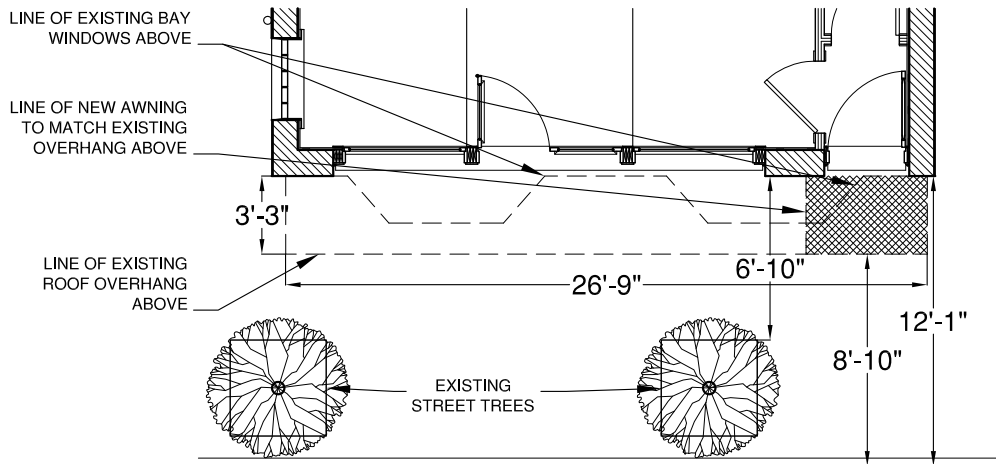
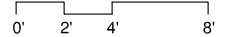
1 PROPOSED CAMP ST ELEVATION

** 87 SQFT. TOTAL PROJECTION OVER
PUBLIC RIGHT OF WAY



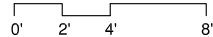
**2 PROPOSED PARTIAL ST. JOSEPH ST
(SIDE) ELEVATION**

** 87 SQFT. TOTAL PROJECTION
OVER PUBLIC RIGHT OF WAY



3 PROPOSED CAMP ST PLAN

** 87 SQFT. TOTAL PROJECTION OVER
PUBLIC RIGHT OF WAY



RICK FIFIELD, ARCHITECT
600 ST. ROCH AVENUE
NEW ORLEANS, LA 70117
rick.fifield@gmail.com
TEL (504) 319.3221

AIR RIGHTS SKETCH
RENOVATIONS TO
825 CAMP STREET
NEW ORLEANS, LA 70130
9/2/2014