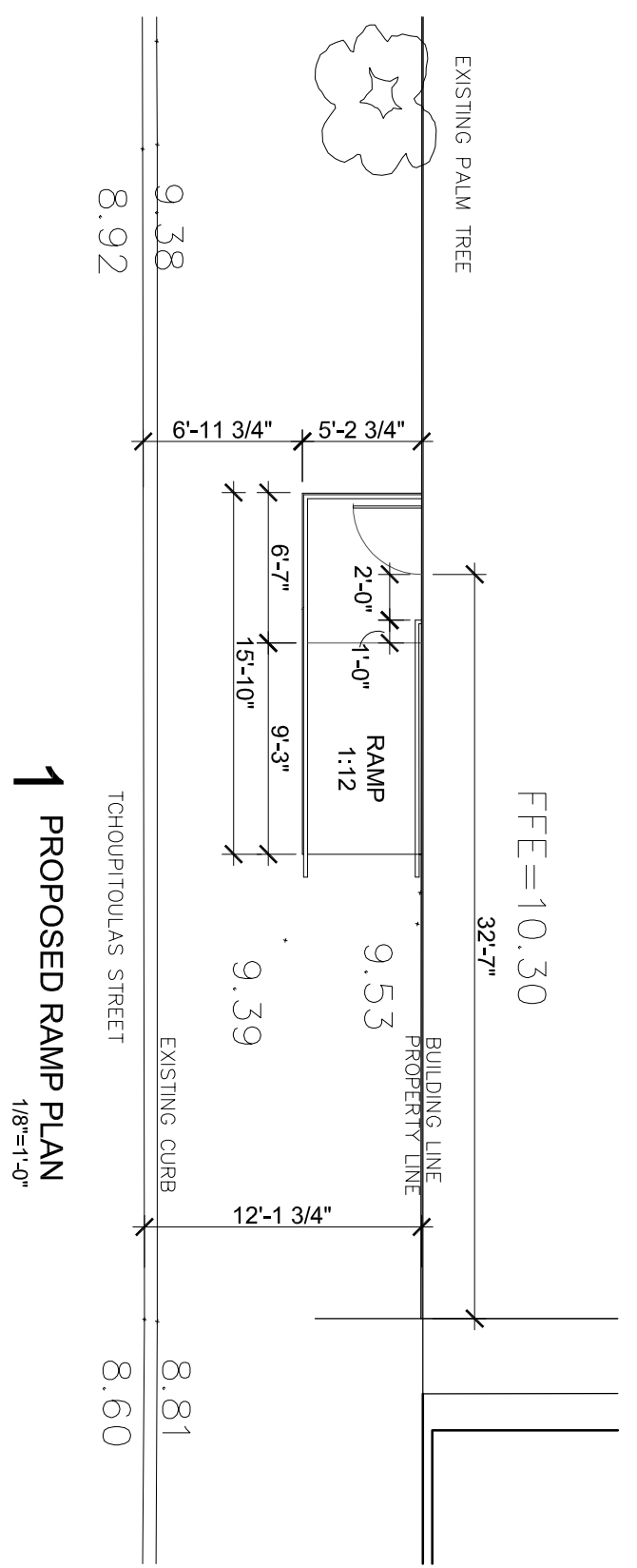


2 PROPOSED RAMP ELEVATION
3/8"=1'-0"



PROPOSED RAMP PLAN
1/8"=1'-0"

GARRITY ■ ACCARDO ARCHITECTS

A PROFESSIONAL CORPORATION

2401 WHITNEY AVENUE
GRETNA LOUISIANA 70056

PHONE 504-366-4475 FAX 504-368-4299
www.garrityaccardo.com

SK2