

Drawings and specifications as instruments of service are and shall remain the property of the architect whether the project for which they are made is executed or not. They are not to be used by the owner or anyone else on other projects or extensions to this project except by agreement in writing and with appropriate compensation to the Architect.
Protected by U.S. copyright law.

MOULTON LONG TURNER
ARCHITECTS

601 Papworth Avenue
Suite 200
Metairie, LA 70005
504.838.8091
www.moultonlong.com

Seal

**EXISTING AWNING FOR
1500 S. CARROLLTON AVE
NEW ORLEANS, LA**

Project Name

Issued

Date	To	Remarks
10/10/14	-	PERMIT OFFICE

Revisions
 1 FOR 11-19-14 P.A.C.
 2 FOR 2-4-15 P.A.C.

10/10/14
Date
Project No.
Drawing No.

SP1



T/ AWNING
EL. 15'-6"

B/ AWNING
EL. 8'-3"

T/SIDEWALK
EL. 0'-0"

1 FRONT ELEVATION
SCALE: NTS



T/ AWNING
EL. 15'-6"

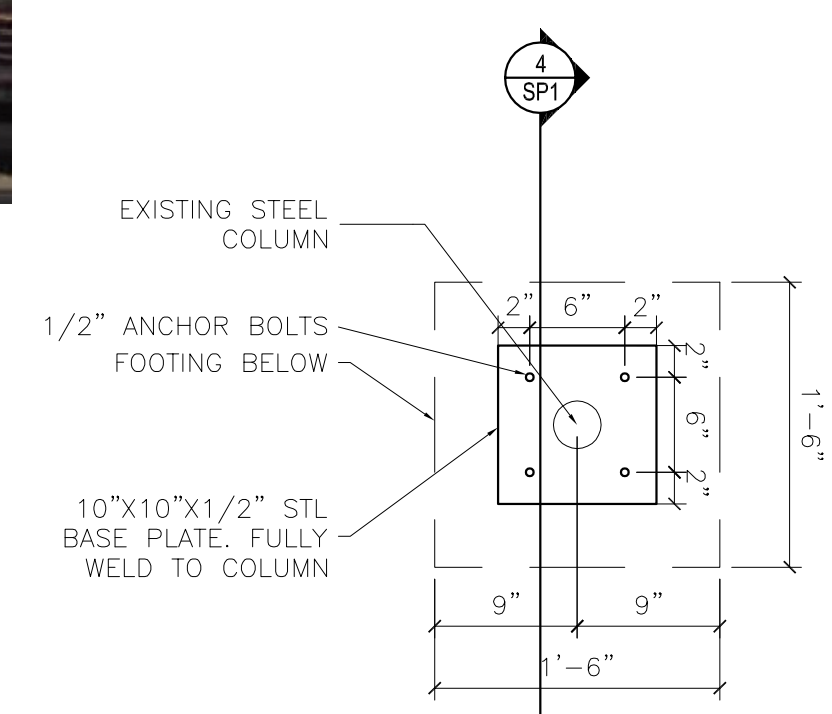
B/ AWNING
EL. 11'-2"

T/SIDEWALK
EL. 0'-0"

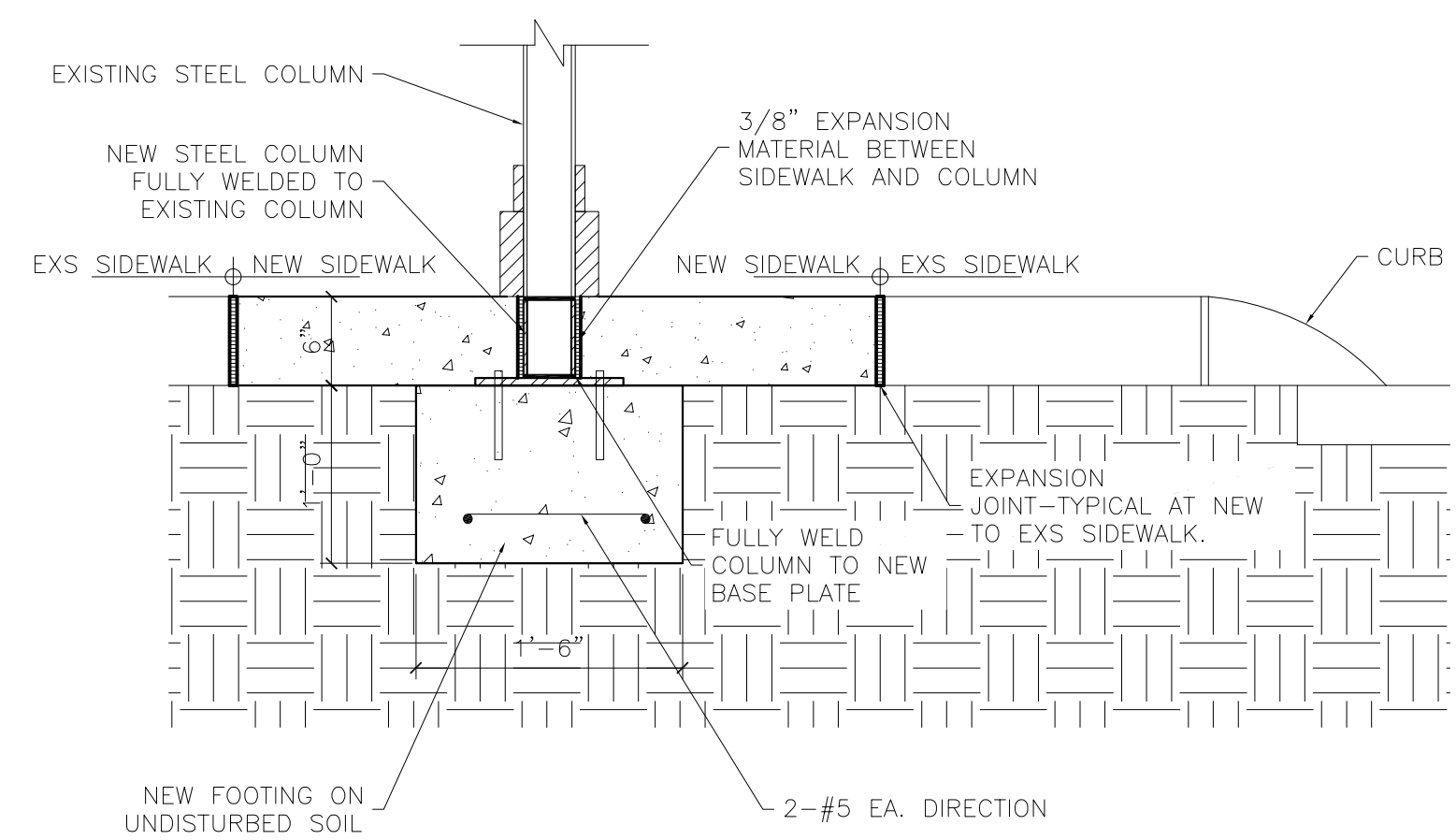
B/ AWNING
EL. 8'-3"

1A SIDE ELEVATION
SCALE: NTS

REMOVED PORTION OF AWNING FOR
S&W B ACCESS TO EXISTING M.H. COVER

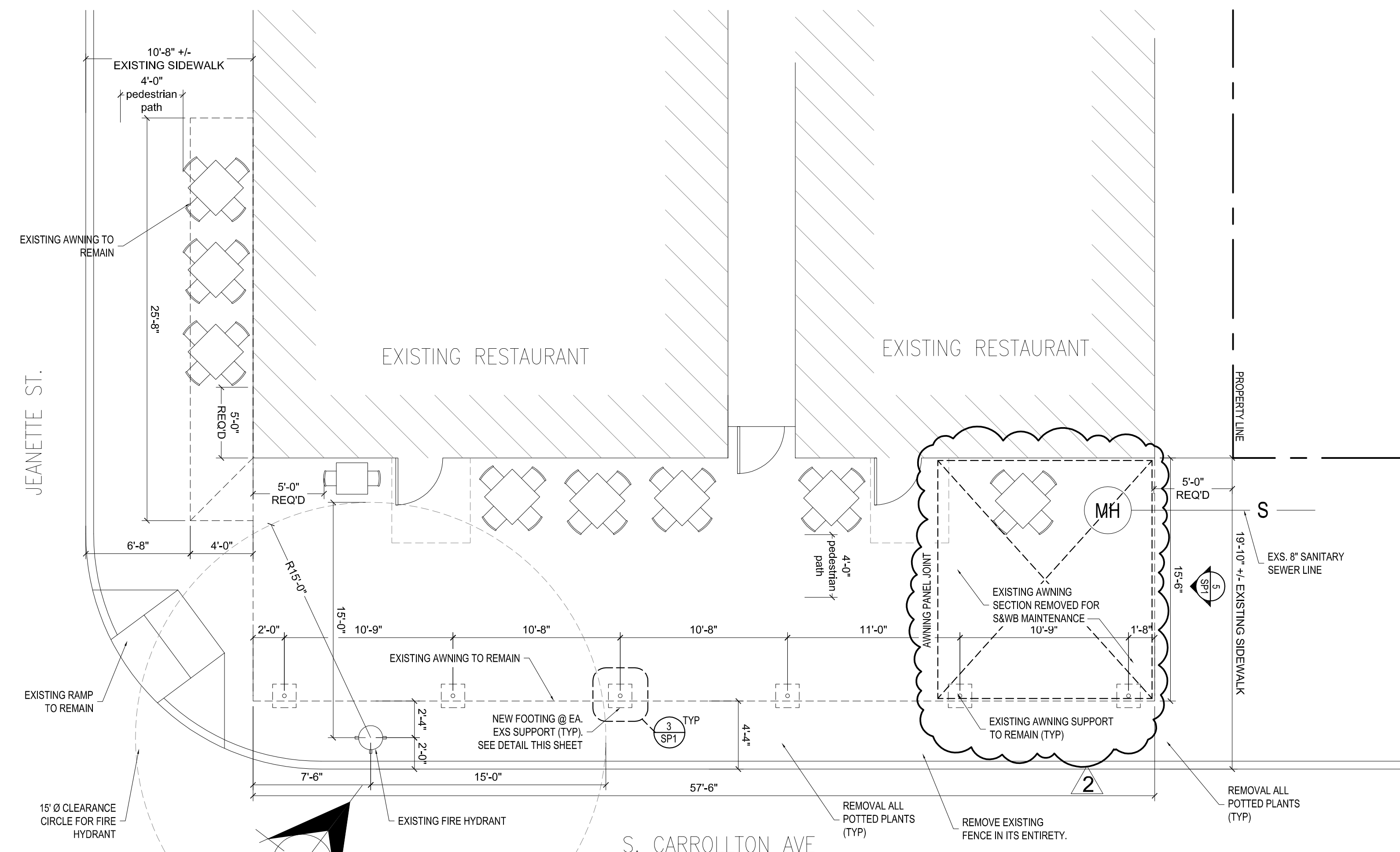


3 PLAN DETAIL
SCALE: 1"=1'-0"

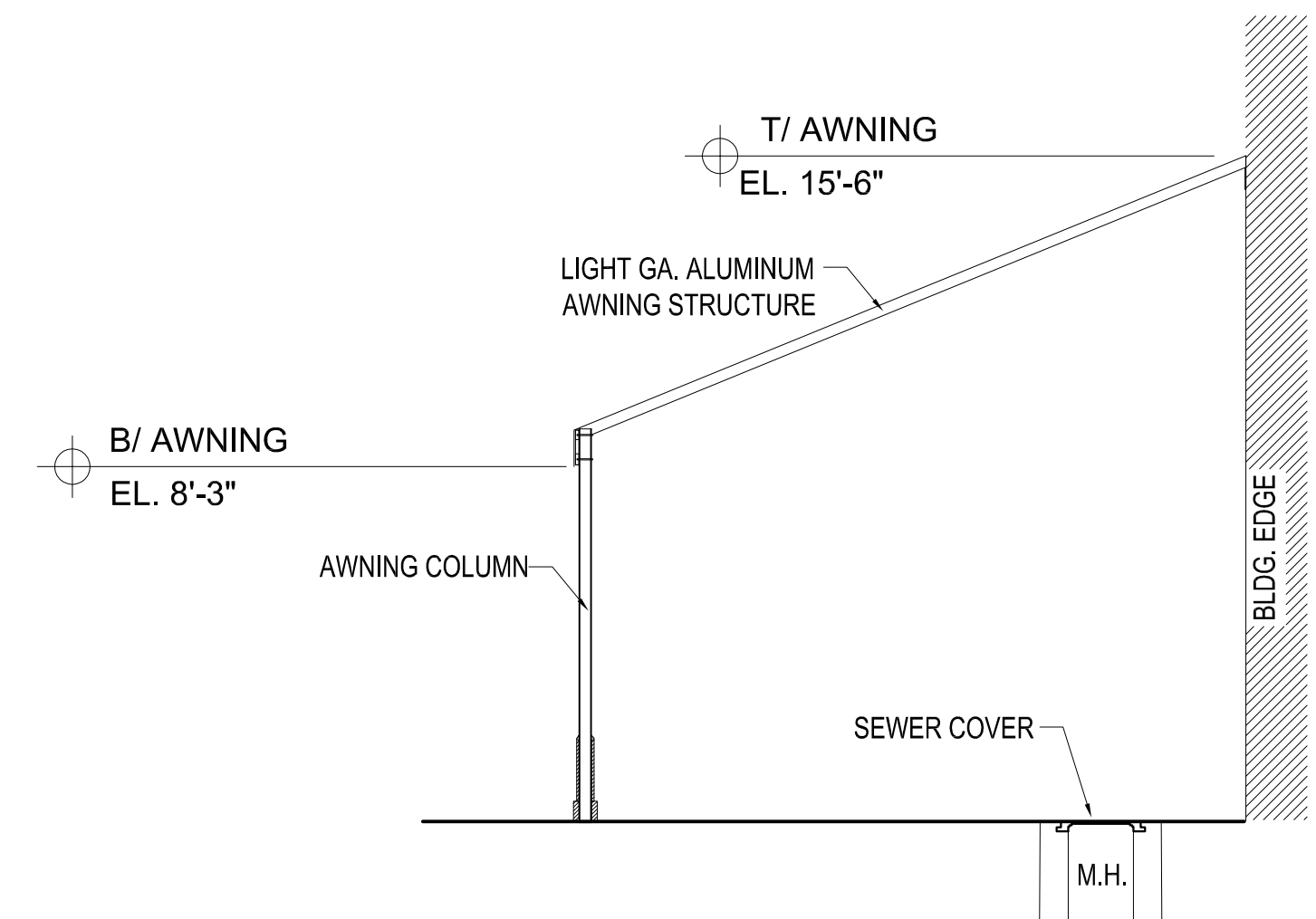


4 SECTION
SCALE: 1"=1'-0"

NOTE:
PRIOR TO WORK BEING DONE,
COORDINATE WITH DEPARTMENT
OF PUBLIC WORKS, NEW ORLEANS
PARISH SEWAGE AND WATER
BOARD, AND ENTERGY FOR
EXISTING UTILITY LINE LOCATIONS



2 PLAN
SCALE: 3/16" = 1'-0"



5 SECTION @ SIDE ELEVATION
SCALE: 3/16" = 1'-0"

AS-BUILT VERIFICATION

TO THE BEST OF MY KNOWLEDGE THESE PLANS ARE DRAWN TO COMPLY WITH THE OWNER'S AND THE CITY OF NEW ORLEANS ONE STOP PERMITS AND LICENSE DEPT. THESE DRAWINGS ARE TO SHOW THE EXISTING CONDITIONS OF THE SITE AND MAINLY THE EXISTING ADDITION OF THE AWNING IN AN EFFORT TO PROVIDE TO ENHANCE THE DEVELOPMENT OF THE SIDEWALK. MOULTON LONG TURNER ARCHITECTS DID NOT PROVIDE THE DESIGN FOR THE AWNING ADDITION, ONLY THE DRAWING FOR THE EXISTING CONDITIONS. FIELD MEASUREMENTS AND DATA COLLECTION WAS DONE TO THE BEST OF OUR ABILITIES. MOULTON LONG TURNER ARCHITECTS DOES NOT WARRANT OR GUARANTEE THAT EXISTING AWNING WAS CONSTRUCTED TO MEET ALL APPLICABLE STATE AND PARISH CODES AND ORDINANCES.