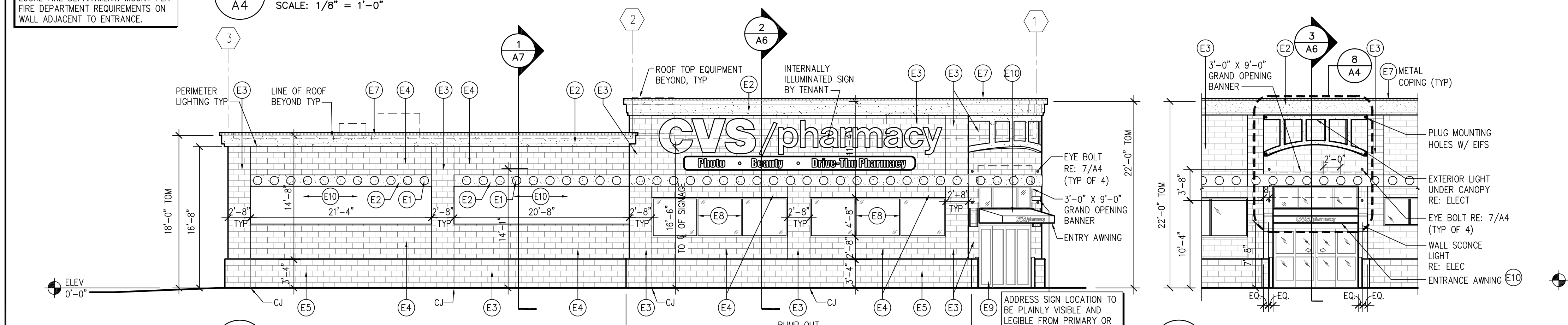


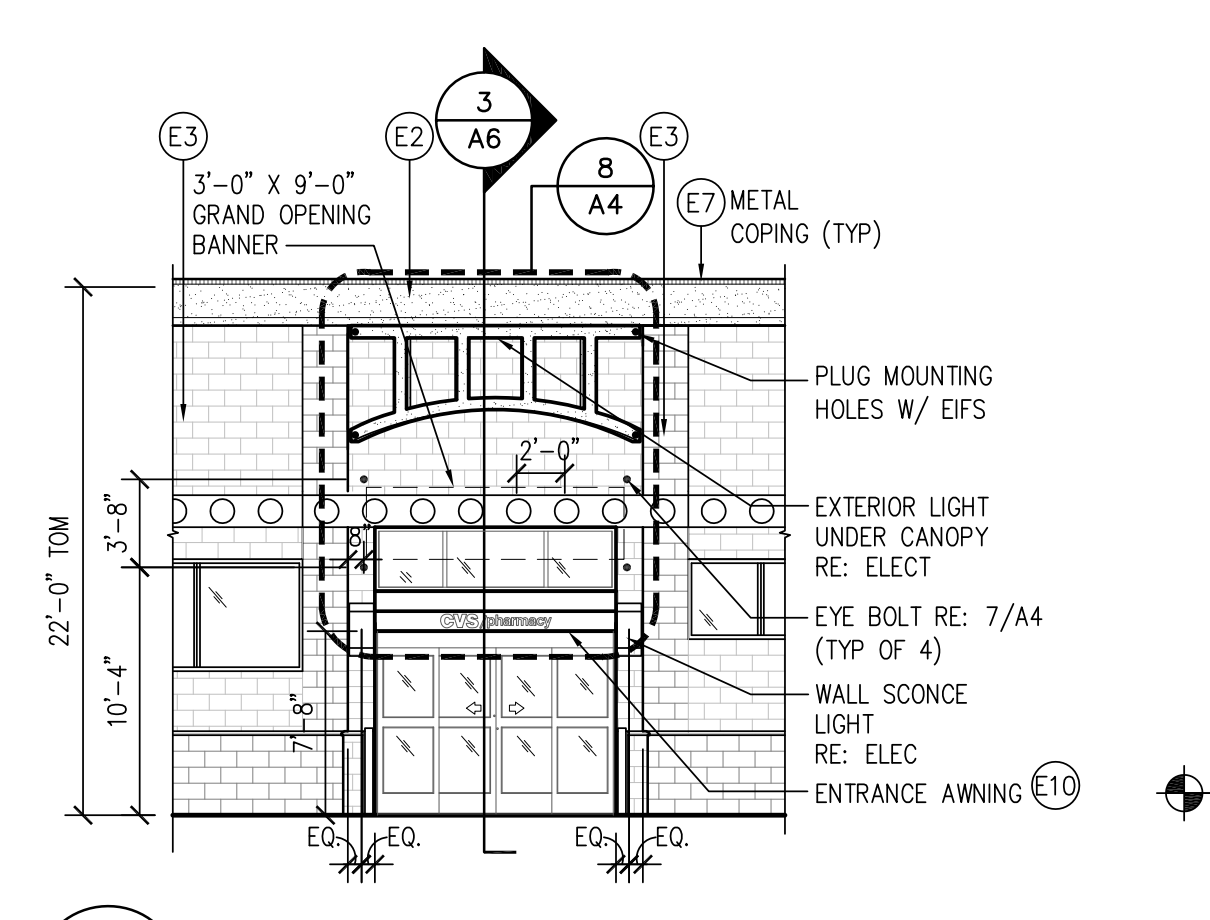
1 RIGHT SIDE ELEVATION
A4 SCALE: 1/8" = 1'-0"

PROVIDE KNOX BOX WHERE REQUIRED BY JURISDICTION PURCHASED FROM LOCAL FIRE DEPARTMENT. MOUNT PER FIRE DEPARTMENT REQUIREMENTS ON WALL ADJACENT TO ENTRANCE.

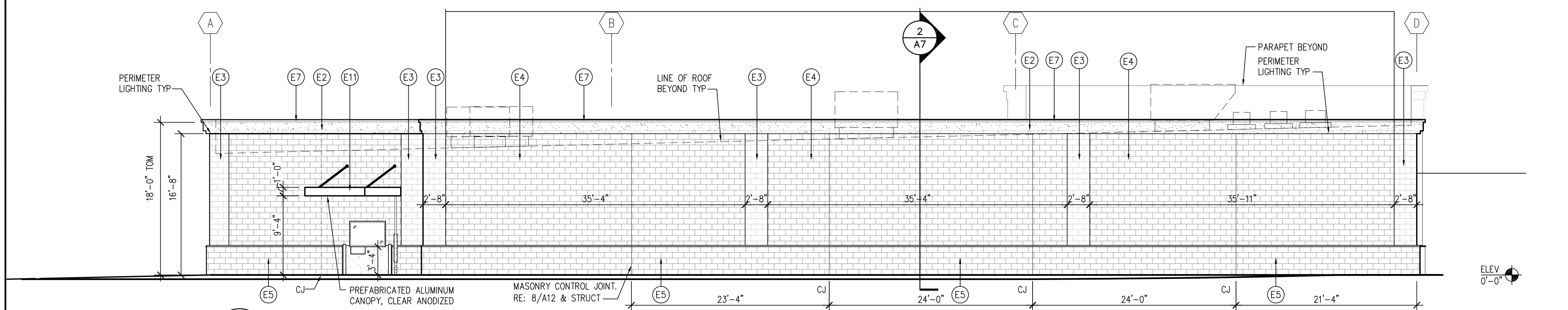


2 FRONT ELEVATION
A4 SCALE: 1/8" = 1'-0"

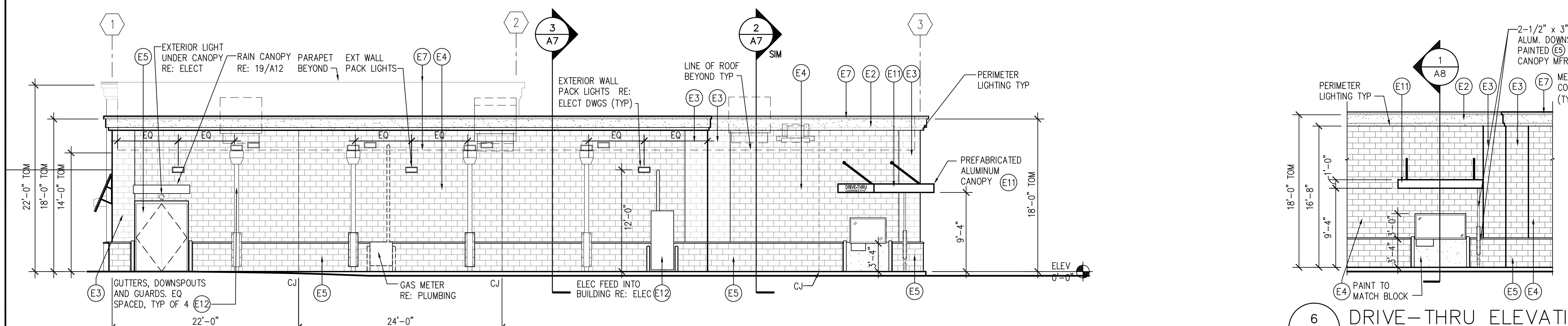
ADDRESS SIGN LOCATION TO BE PLAINLY VISIBLE AND LEGIBLE FROM PRIMARY OR MAIN ROAD - MIN. 6" H. & STROKE OF 1/2" MIN. ON CONTRASTING BKGD. (CONFIRM HEIGHT, LOCATION AND QUANTITY WITH LOCAL FIRE MARSHAL)



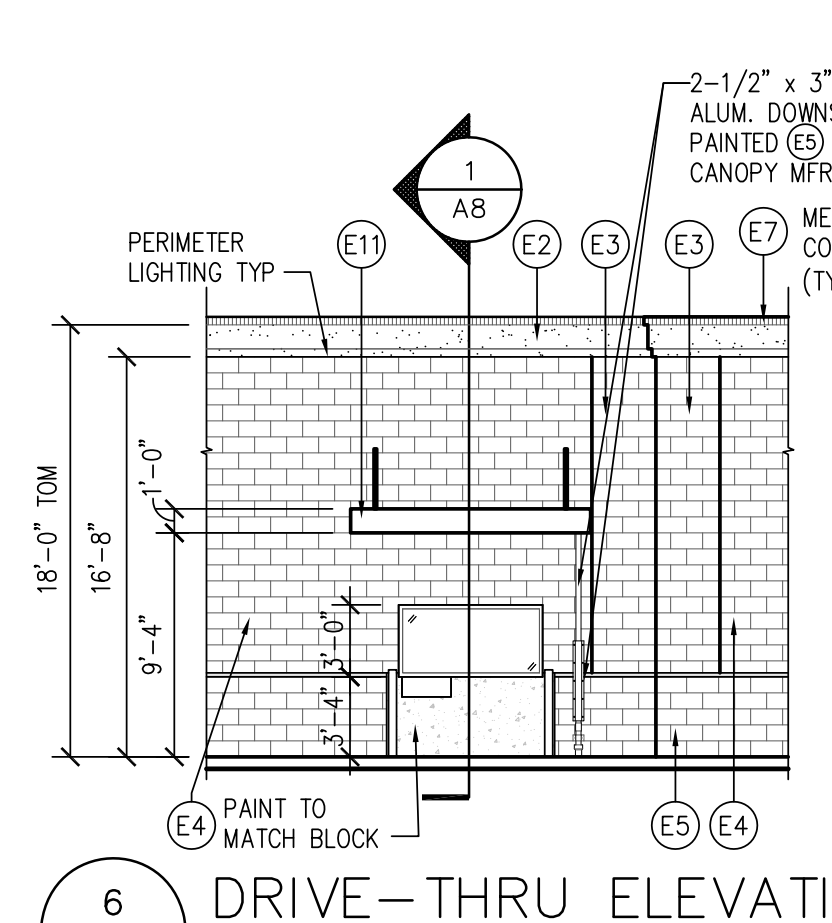
5 ENTRANCE ELEVATION
A4 SCALE: 1/8" = 1'-0"



3 LEFT SIDE ELEVATION
A4 SCALE: 1/8" = 1'-0"



4 REAR ELEVATION
A4 SCALE: 1/8" = 1'-0"



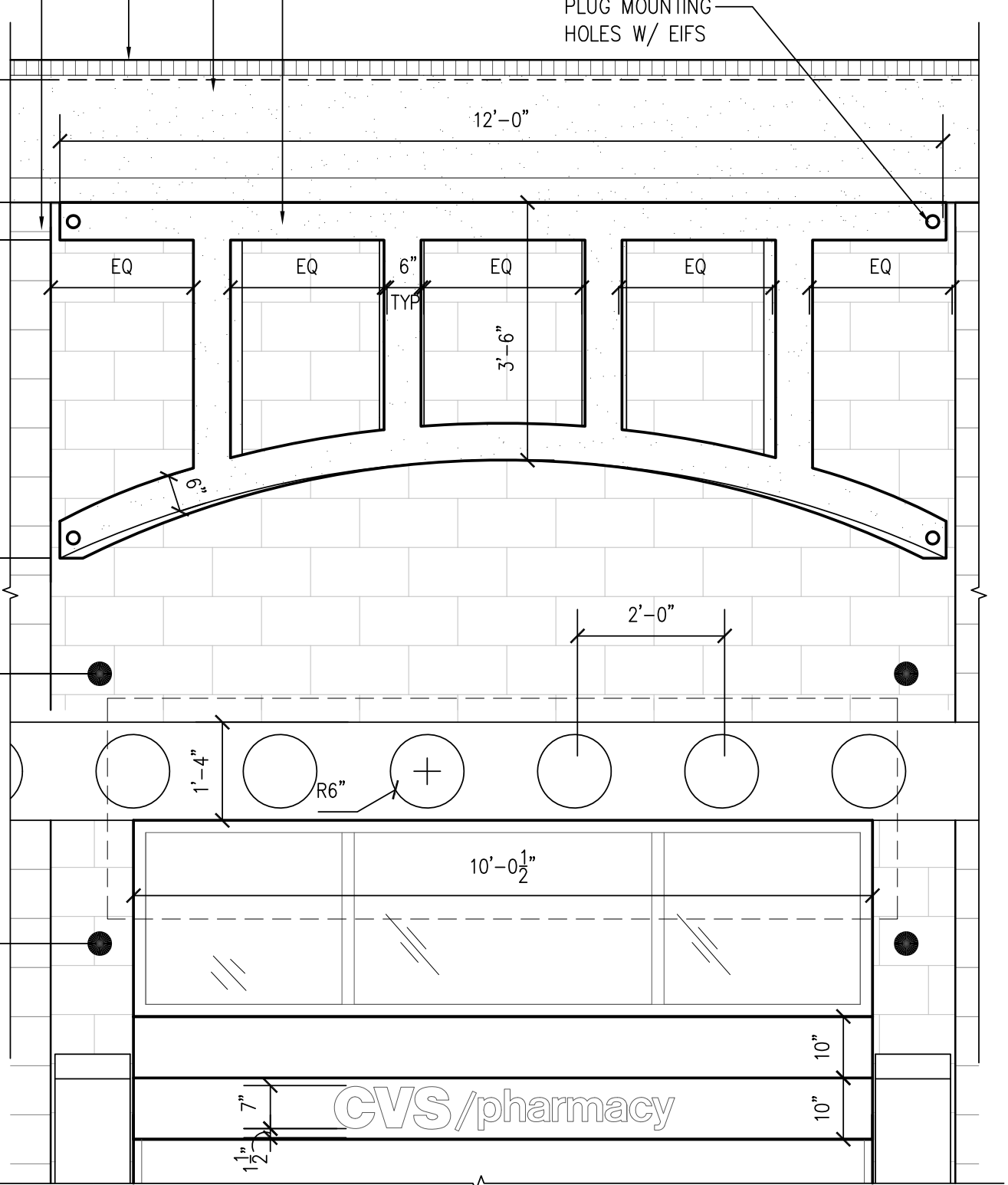
6 DRIVE-THRU ELEVATION
A4 SCALE: 1/8" = 1'-0"

EXTERIOR FINISH SCHEDULE				
TAG	MATERIAL / DESCRIPTION	MFR. / STYLE / CAT. NO.	COLOR	NOTES
E1	EIFS / DEFS	SHERMAN WILLIAMS	SW7691 BILTMORE BUFF	SEE SPECIFICATION
E2	EIFS	SHERMAN WILLIAMS	SW7522 MEADOWLARK	SEE SPECIFICATION (CORNICHE)
E3	SPLIT FACE CMU	TRENWYTH ARCHITECTURAL MASONRY UNITS	PARCHMENT	TRENSTONE GROUND FACE MASONRY UNITS / MIDWEST COLORS
E4	SPLIT FACE CMU		IRVING CREAM	
E5	SPLIT FACE CMU		ROCKY ROAD	
E6	BOLLARD COVER	INNOPLAST BOLLARDGARD BC752 OR BC452	YELLOW	TYP FOR ALL PIPE BOLLARDS
E7	PREFINISHED METAL COPING		COLOR TO MATCH "E2" EIFS	
E8	ALUM STOREFRONT		CLEAR ANODIZED	
E9	ALUM AUTOMATIC DOOR	STANLEY DURAGLIDE 5300	CLEAR ANODIZED	
E10	VINYL AWNING	BURTON SIGNWORKS, INC.	WEBLON #2926 DEEP RED	SUPPLIED & INSTALLED BY GC
E11	ALUMINUM CANOPY	MAPES ARCHITECTURAL CANOPIES	CLASS II CLEAR ANODIZED	
E12	PAINT	BENJAMIN MOORE	2174-30 SEDONA CLAY	HOLLOW MTL DOORS/FRAMES, GUTTERS/DOWNSPOUTS

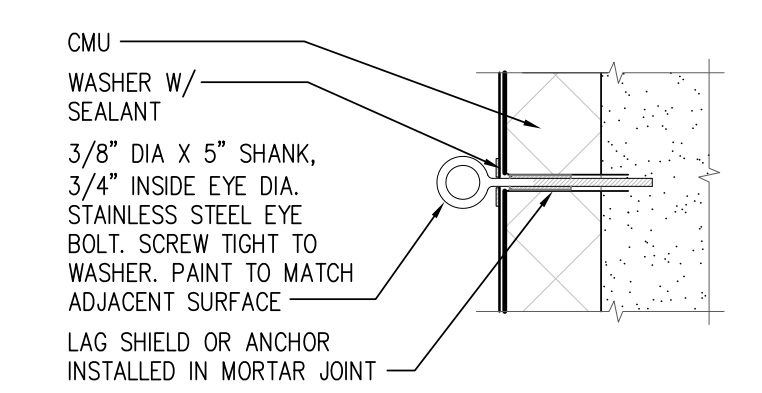
NOTE: SIGNAGE UNDER SEPARATE PERMIT. REFER TO APPROVED SIGNAGE PACKAGE FROM SIGNAGE VENDOR FOR SIZES AND LOCATIONS OF SIGNS. EXTERIOR SIGNAGE TO BE EXPANSION ANCHORED.
 PYLON SIGNAGE EIFS COLOR TO MATCH THE BUILDING EIFS COLOR. XX - RE: EXTERIOR FINISH SCHEDULE

ALTERNATE SPLIT FACE CMU SUPPLIER			
TAG	MATERIAL / DESCRIPTION	COLOR TO MATCH	NOTES
E3	SPLIT FACE CMU	JOHNSON CONCRETE JC-535R GARNET	HOLCIM ENVIROCORE MORTAR CORAL
E4	SPLIT FACE CMU ACCENT	JOHNSON CONCRETE JC-623R SOFT COTTON	HOLCIM ENVIROCORE MORTAR HARWOOD YELLOW
E3	SPLIT FACE CMU	CEMEX 45 TERRA COTTA	HOLCIM ENVIROCORE MORTAR CORAL
E4	SPLIT FACE CMU ACCENT	CEMEX 861 SOFT IVORY	HOLCIM ENVIROCORE MORTAR HARWOOD YELLOW

NOTE: SEE SPECIFICATIONS MANUAL FOR CONTACT INFORMATION



8 ENLARGED ENTRY DETAIL
A4 SCALE: 1/2" = 1'-0"



7 EYE-BOLT DETAIL
A4 SCALE: 3" = 1'-0"



TYPE B - STANDARD
13225-RIGHT CHAMFER DRIVE-THRU
STORE NUMBER: 10538
 SWC N. CLAIBORNE AVE. & FORSTALL ST. NEW ORLEANS, LA
PROJECT TYPE: NEW STORE
DEAL TYPE: FFS
CS PROJECT NUMBER: 70660

ARCHITECT OF RECORD

GENESIS DESIGN GROUP, APAC
 421 W HARWOOD ROAD SUITE 100
 HURST, TEXAS 76054
 TEL (817) 285-7444
 FAX (817) 285-7318

STRUCTURAL ENGINEER:

STEPHEN A. DIAL, P.E.
 CONSULTING ENGINEER
 1825 MARKET CENTER BLVD, STE 620 DALLAS, TEXAS 75207
 TEL (214) 760-7000
 FAX (214) 760-7050

MECHANICAL ENGINEER:

DON PENN
 635 WESTPORT PARKWAY, STE 300 GRAPEVINE, TX. 76051
 TEL (817) 410-2858
 FAX (817) 251-8411

DEVELOPER:

FIRST HARTFORD REALTY CORPORATION
 149 COLONIAL ROAD, PO BOX 1270 MANCHESTER, CT 06040
 TEL (860) 646-6555
 FAX (860) 646-8572

SEAL:



10/22/2014

REVISIONS:

NO.	DESCRIPTION

DRAWING BY: DW
 DATE: 22 OCTOBER 2014
 JOB NUMBER: 14-086
 TITLE:

EXTERIOR ELEVATIONS

SHEET NUMBER:

A4

COMMENTS: ISSUE FOR BID/PERMIT