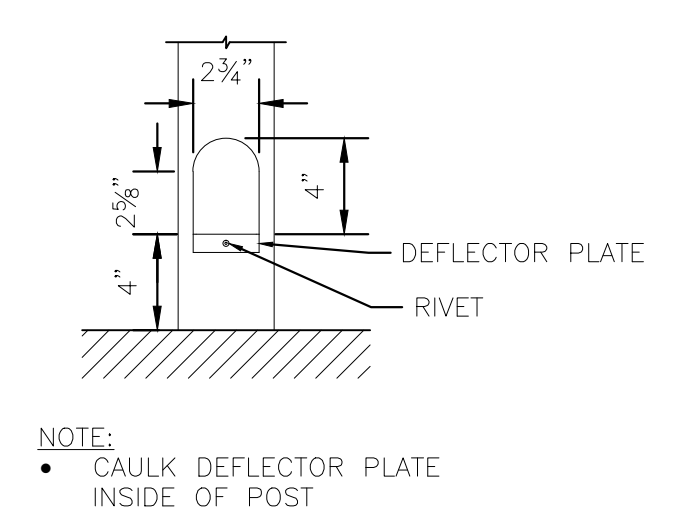
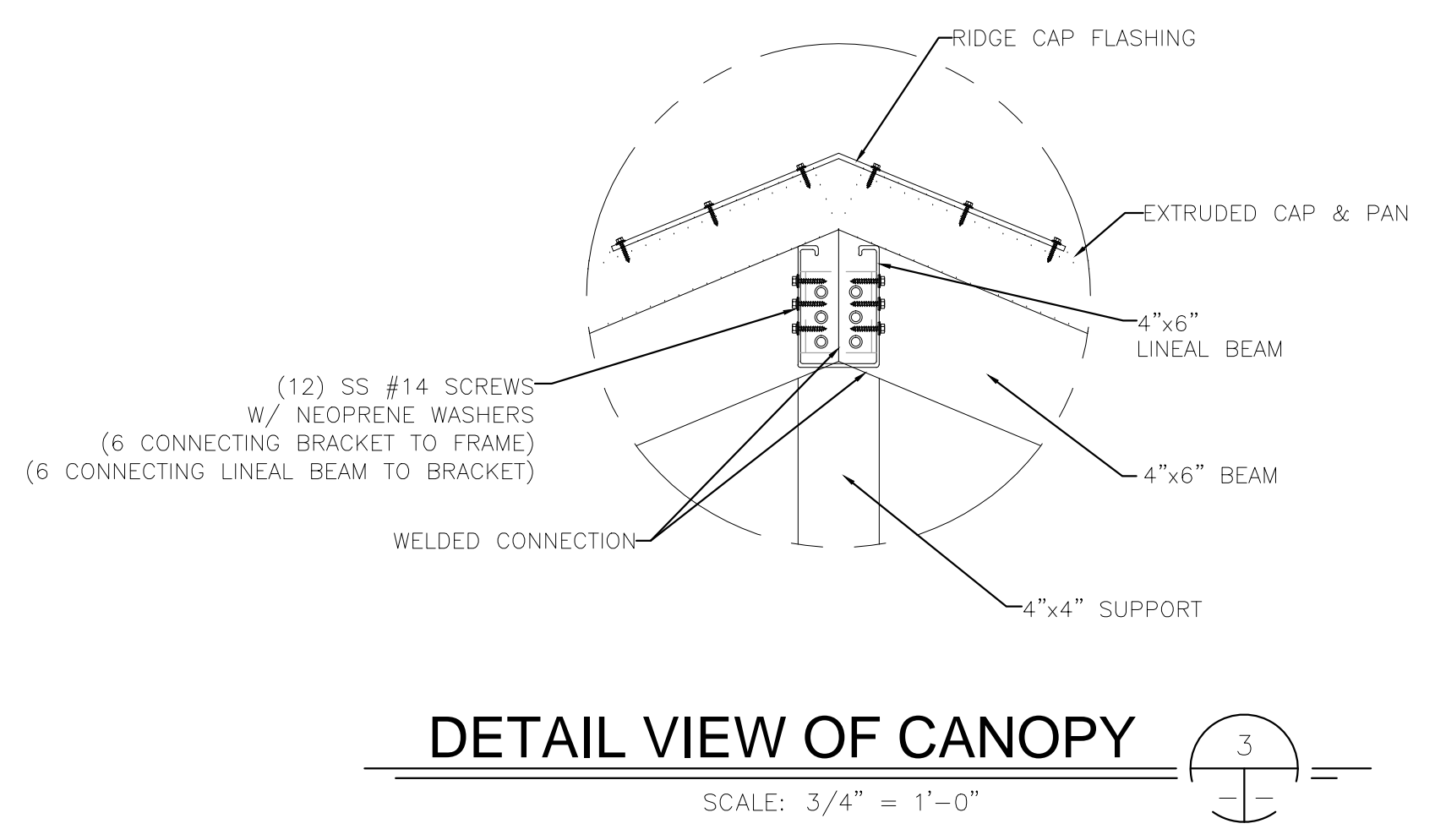
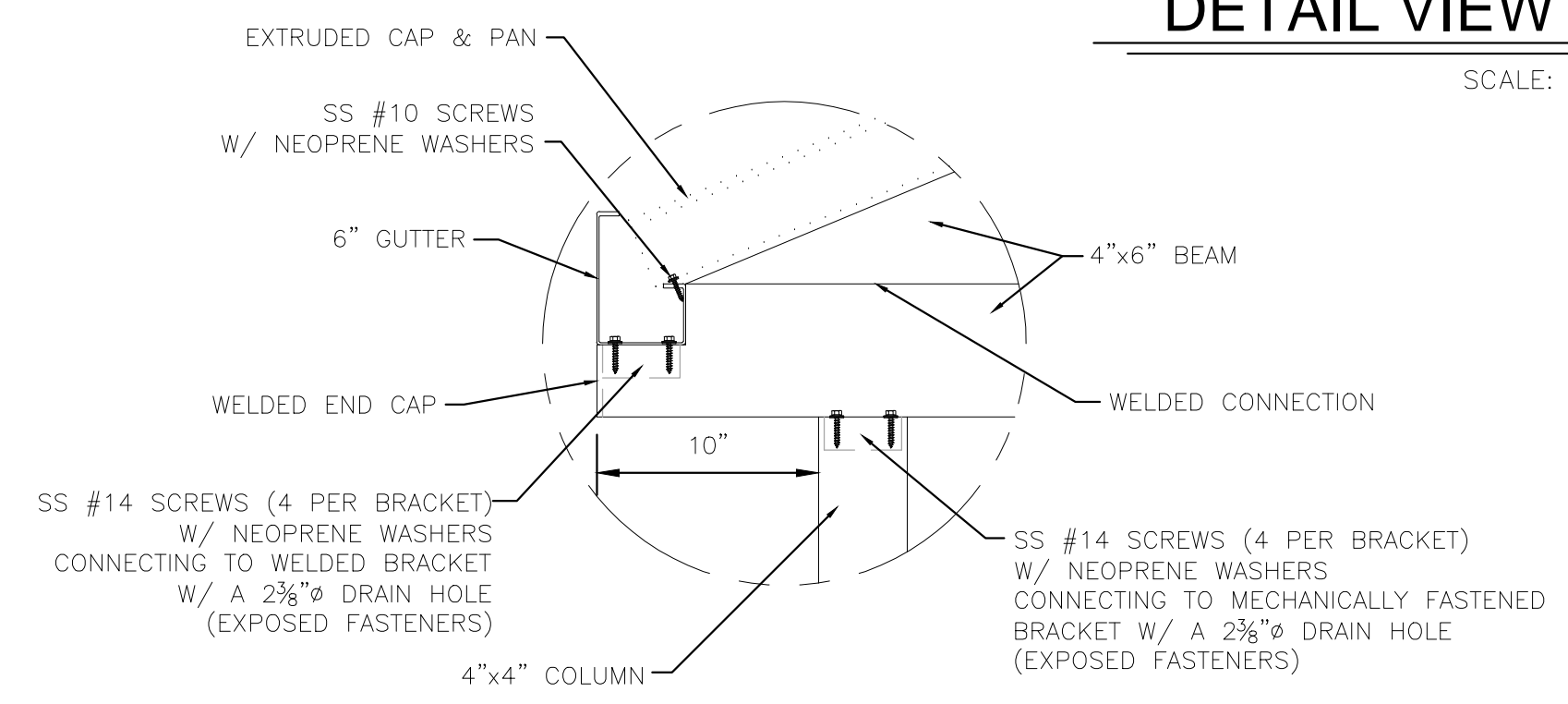
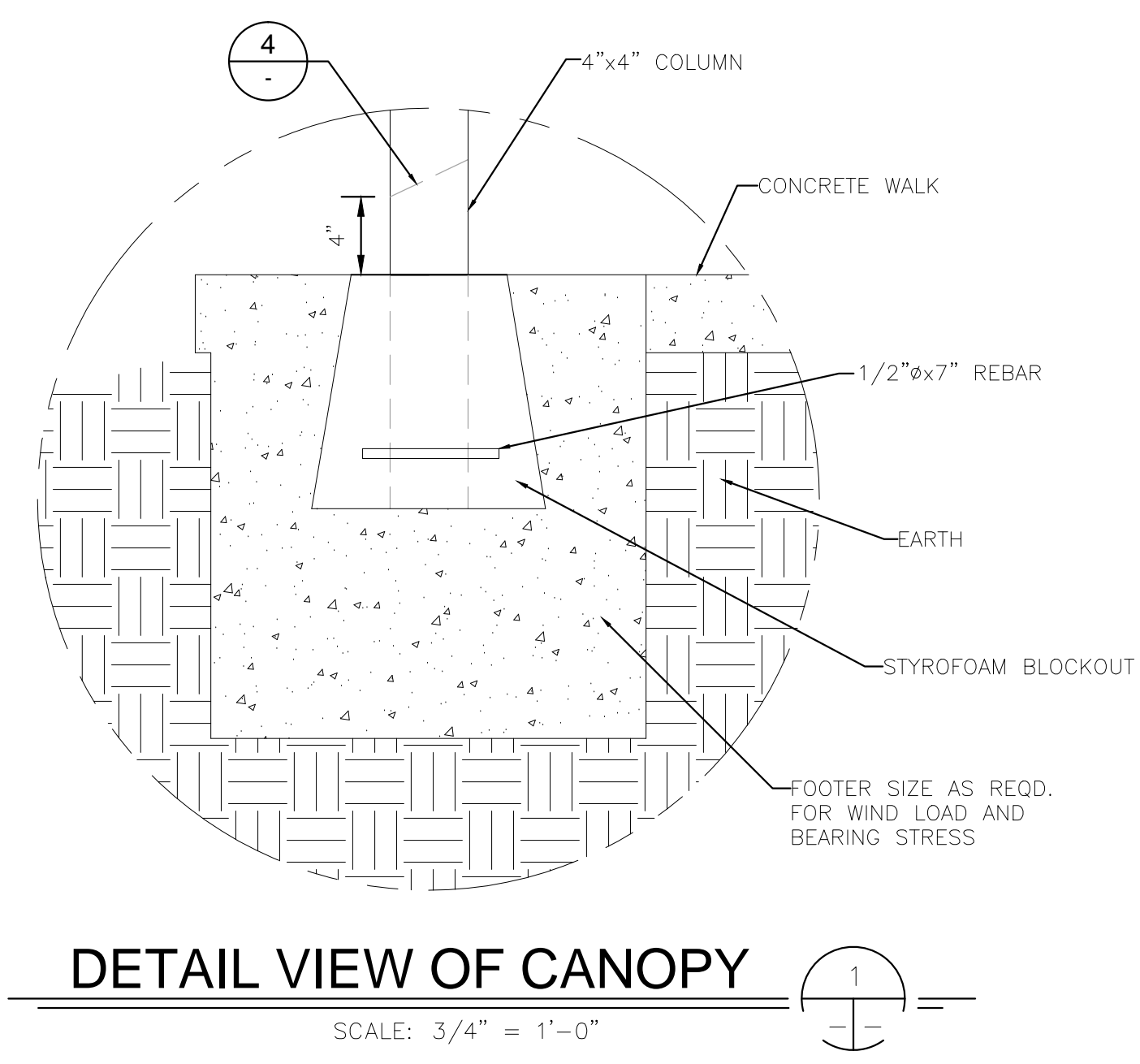
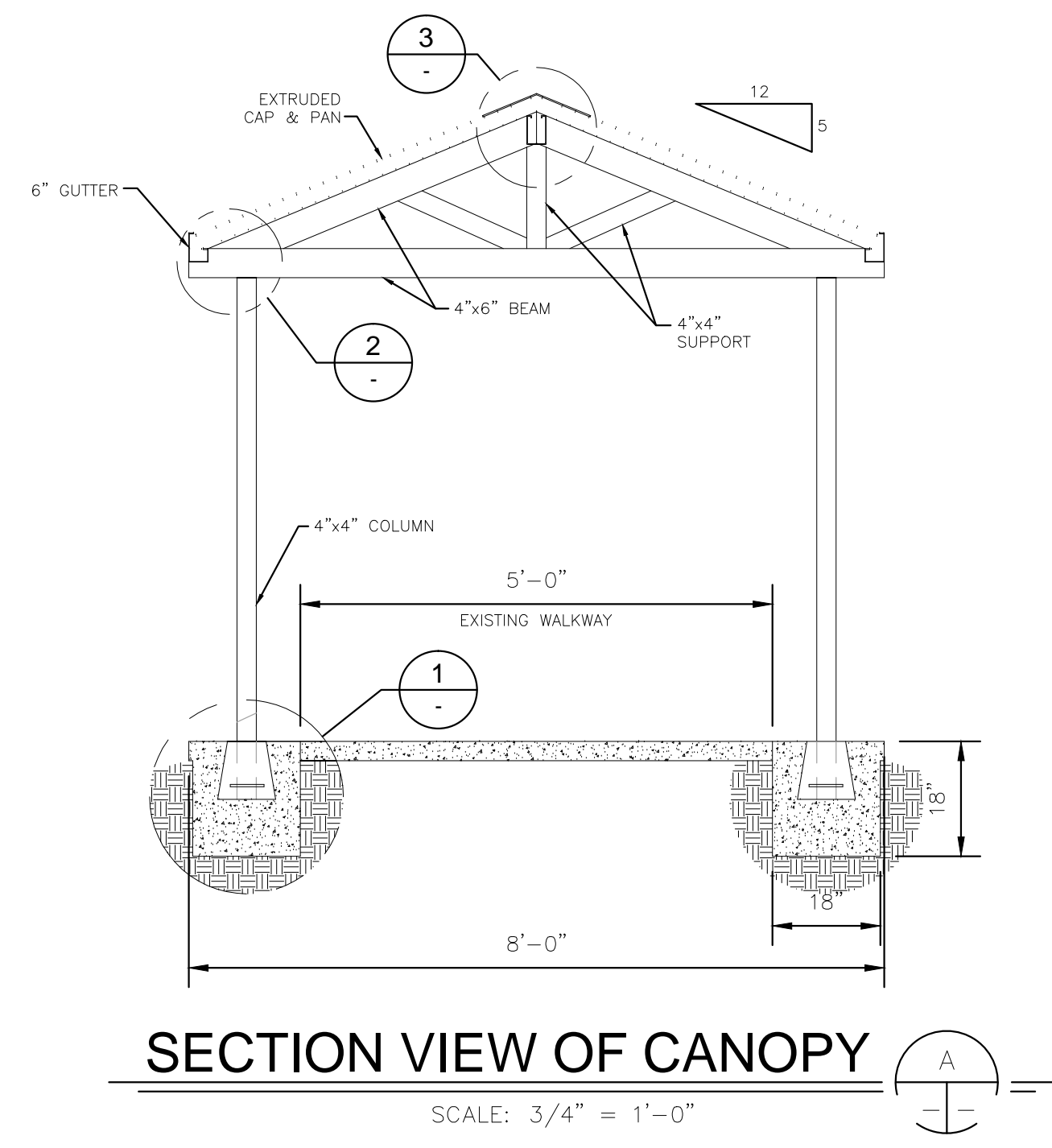



DRAWING NAME: P:\Projects\13-008 RTA - Canal Blvd. Terminal Drawings\Architectural\A-006.dwg PLOTTED: 02/11/15 - 5:50pm



REFERENCE DRAWINGS		REVISIONS				
NUMBER	Rev	DESCRIPTION	No	DATE	BY	DESCRIPTION

100% FOR REVIEW

REGIONAL TRANSIT AUTHORITY




CIVIL
STRUCTURAL
MECHANICAL
ELECTRICAL
MARINE
Engineering Consultants, LLC
NEW ORLEANS, LA 504-304-0548 IEC JOB No. 13-008

DESIGNED	M.R.R.	8-1-2014
DRAWN	E.M.B.	8-1-2014
CHECKED	M.R.R.	8-1-2014
APPROVED	W.J.T.	8-1-2014
SCALE		

**CEMETERIES TRANSIT CENTER
(CANAL BLVD. BUS & STREETCAR TERMINAL)
RTA PROJECT No. 2012-18**

**WALKWAY CANOPY ELEVATIONS
AND DETAILS**



DRAWING NO. A-006 SHEET -