

PRATT PLAYGROUND



City of New Orleans
Mayor LaToya Cantrell



PRATT PLAYGROUND: Existing Conditions



PRATT PLAYGROUND: Existing Conditions



Play Structure



Swing Set



Pathway and Benches



Entrance from Pressburg Street



Existing Mature Live Oak Trees

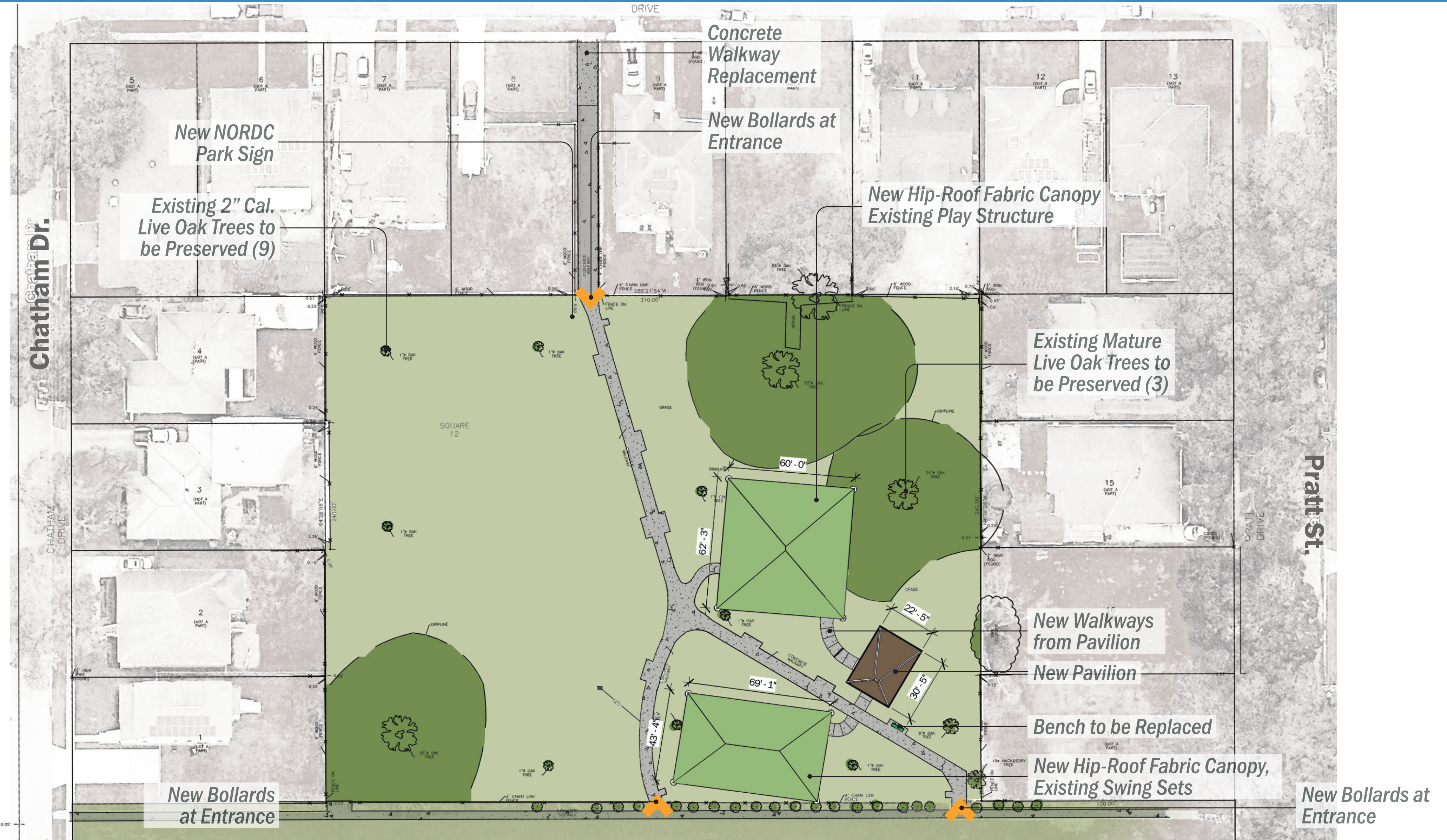


Bollard Footings at Entry Points



Existing Picnic Table

PRATT PLAYGROUND: Site Improvements Plan



PRATT PLAYGROUND: Impervious Surfaces



- Existing Impervious Surfaces
- New Impervious Surfaces

Permeable Surfaces: 63,525 SF

Total of Existing and Proposed Impervious Surfaces: 10,833 SF

North



PRATT PLAYGROUND: Materials



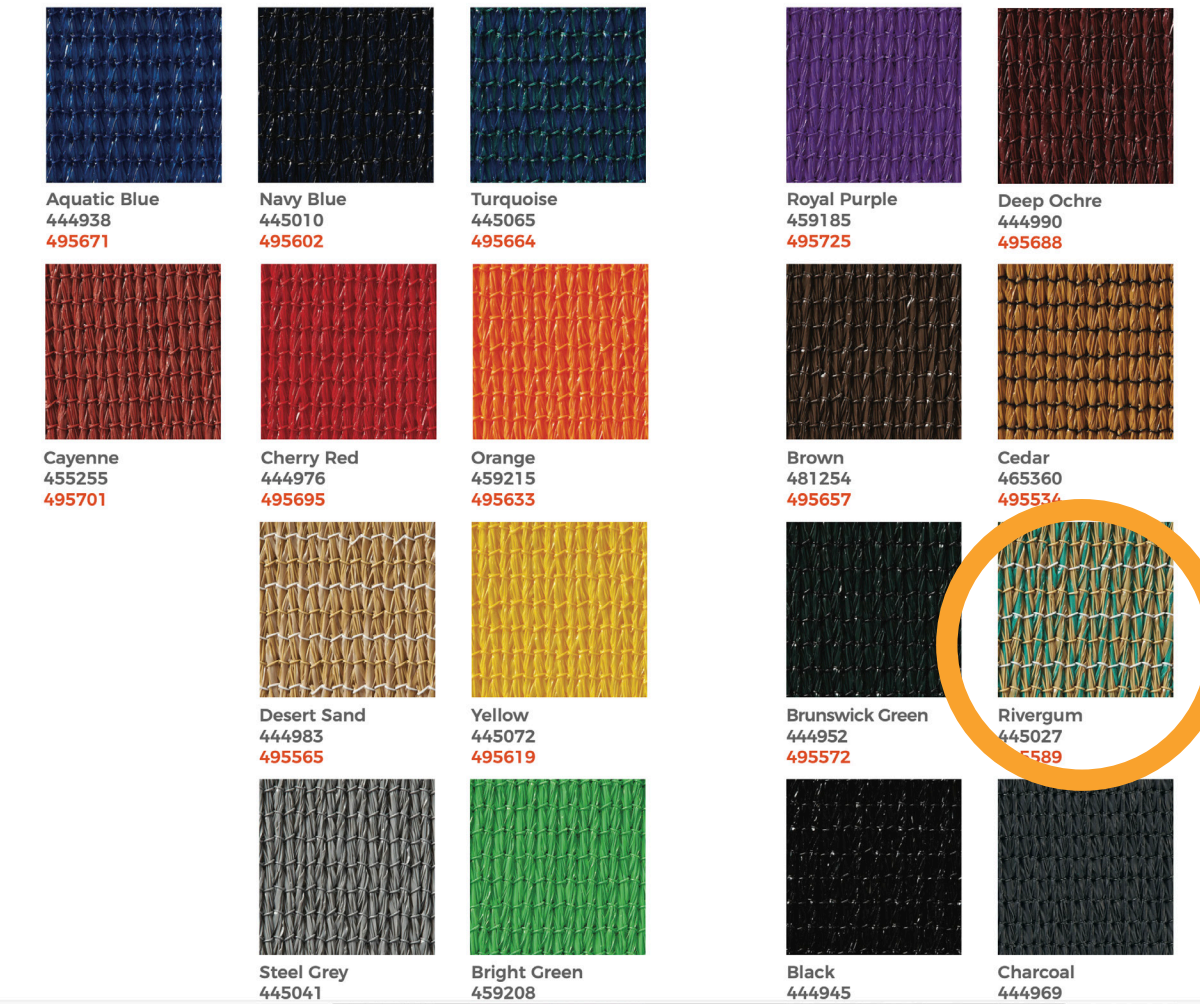
Existing Play Structure



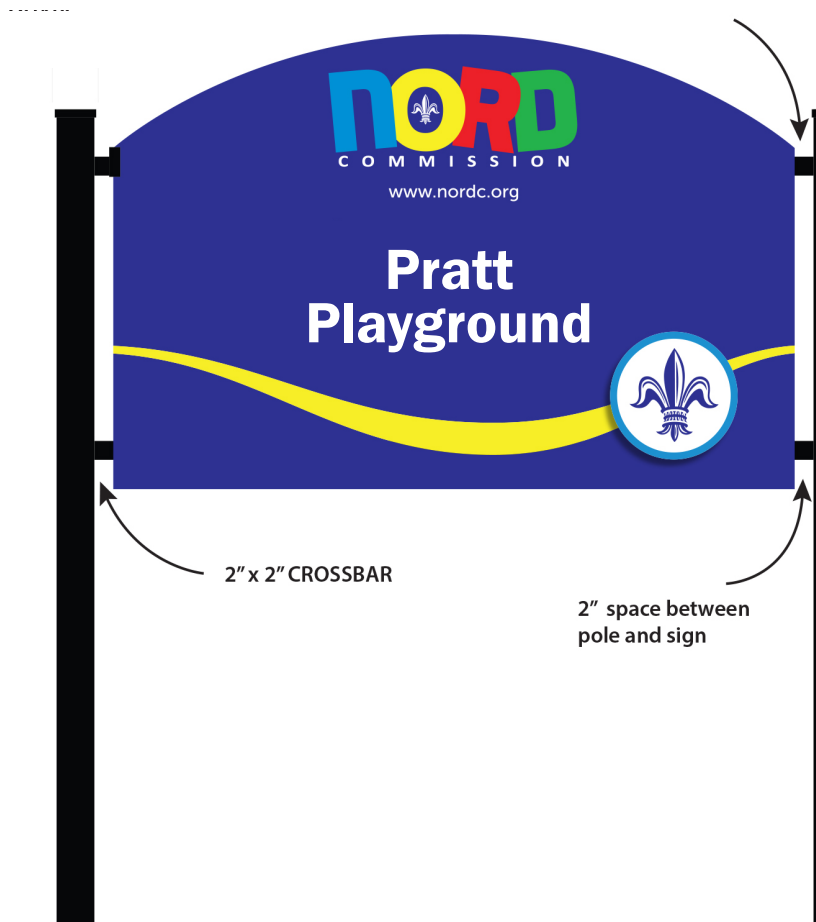
Rendering of Proposed Shade Sails and Pavilion



Shade Sail Post Color

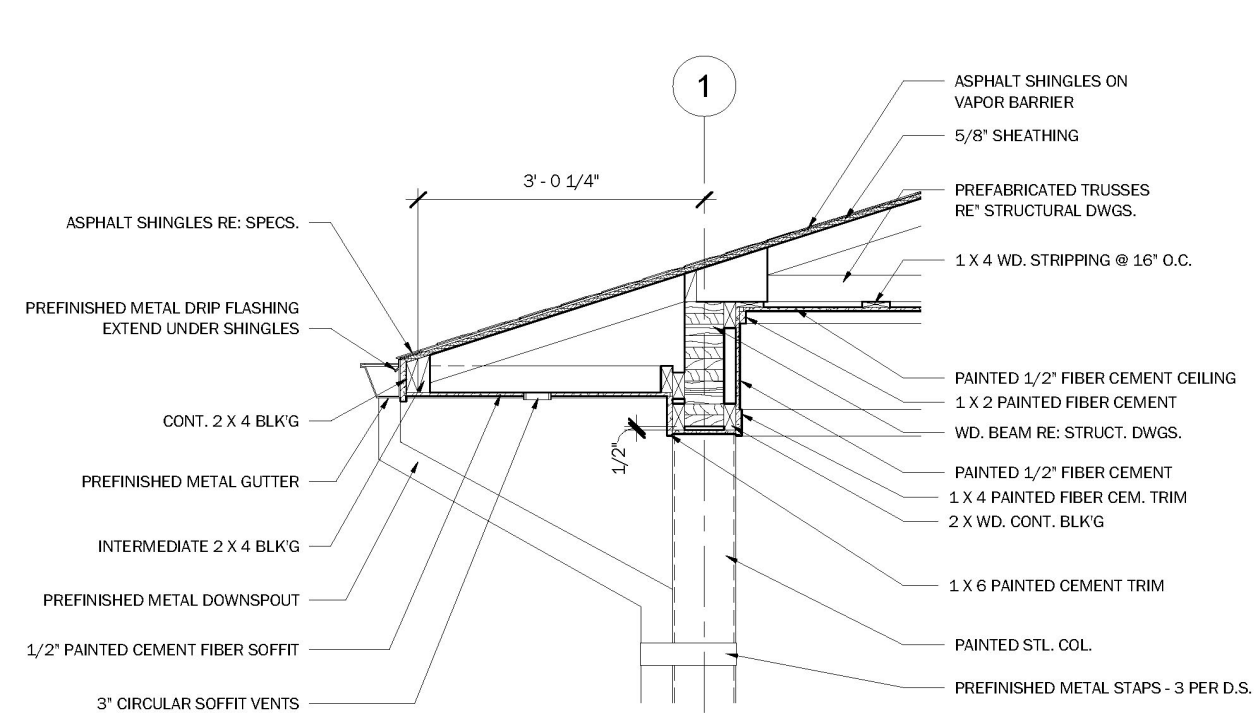


Shade Sail Fabric Color

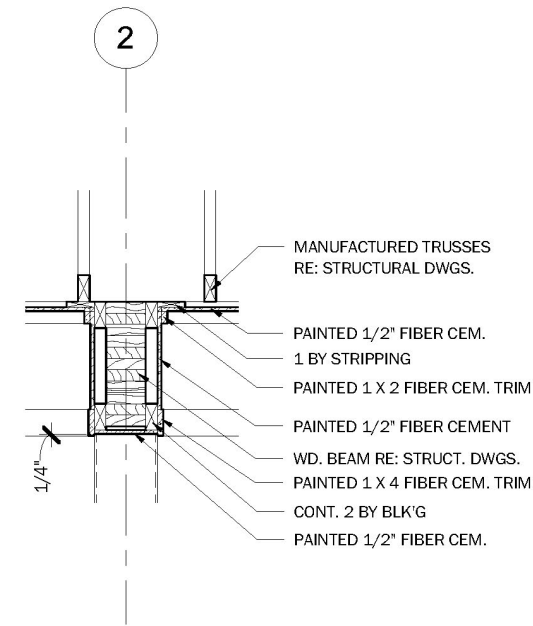


New NORDC Playground Sign

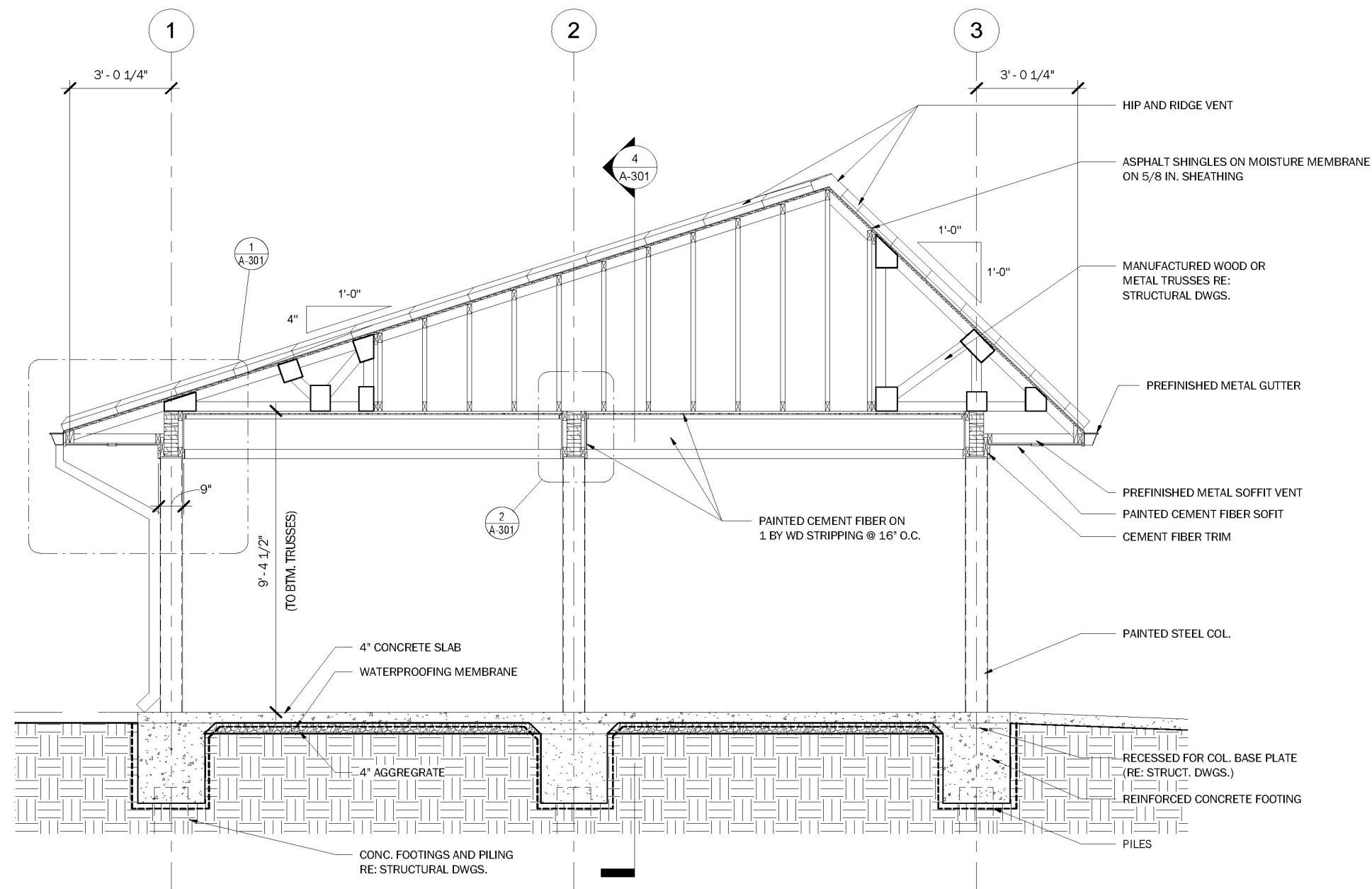
PRATT PLAYGROUND: Pavilion Details



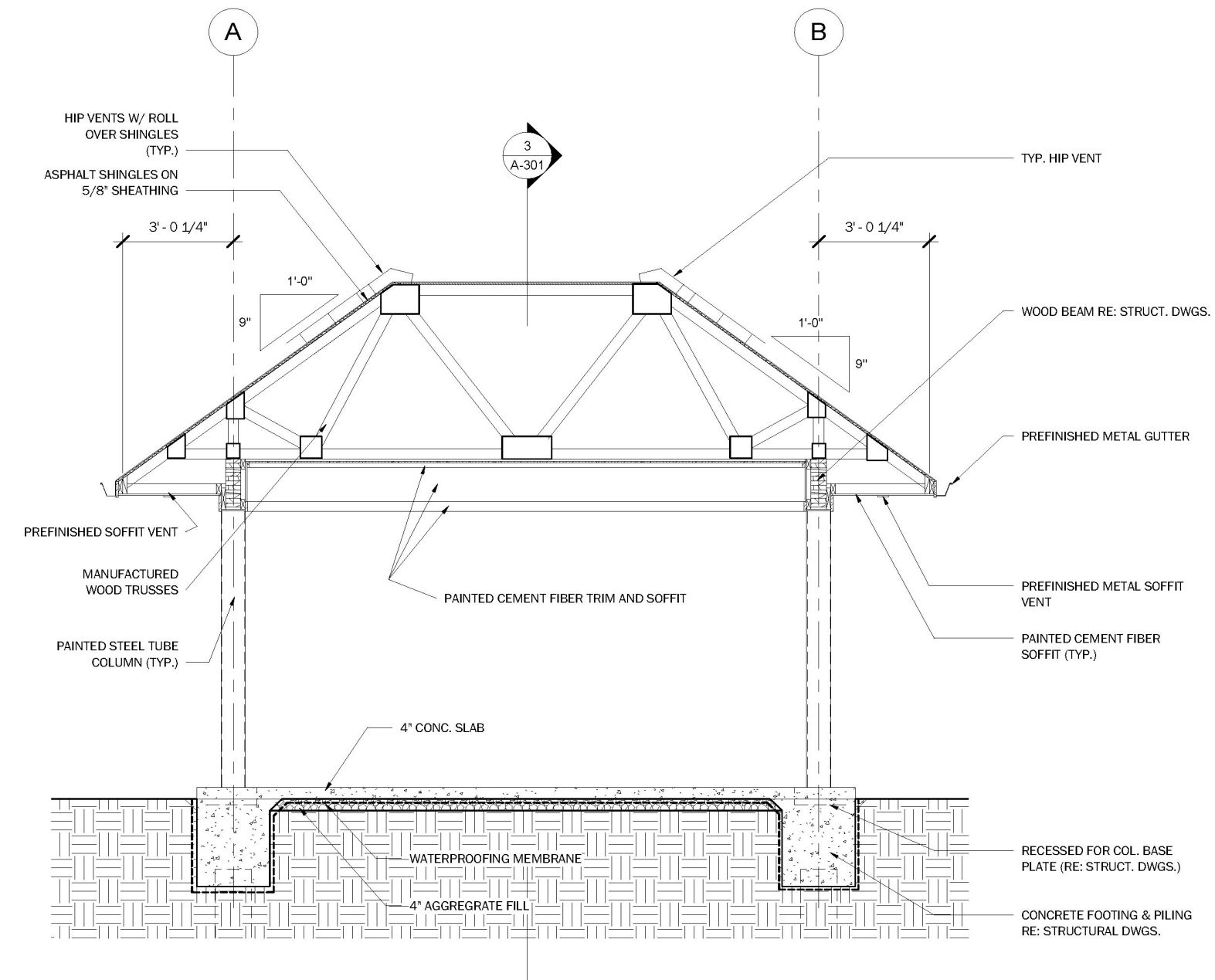
1 ROOF OVERHANG DETAIL 1
scale: 3/4" = 1'-0"



2 TYP. INTERIOR BEAM
scale: 3/4" = 1'-0"



3 Section 2
scale: 3/8" = 1'-0"



4 Section 1
scale: 3/8" = 1'-0"