

**PRELIMINARY**  
**NOT FOR CONSTRUCTION**  
 DATE: 7-1-21

REVISIONS	
DATE	REMARKS
6/29/21	POINT BREAKWATER DRIVE AND POINT UPGRADES

APPD  
MIS

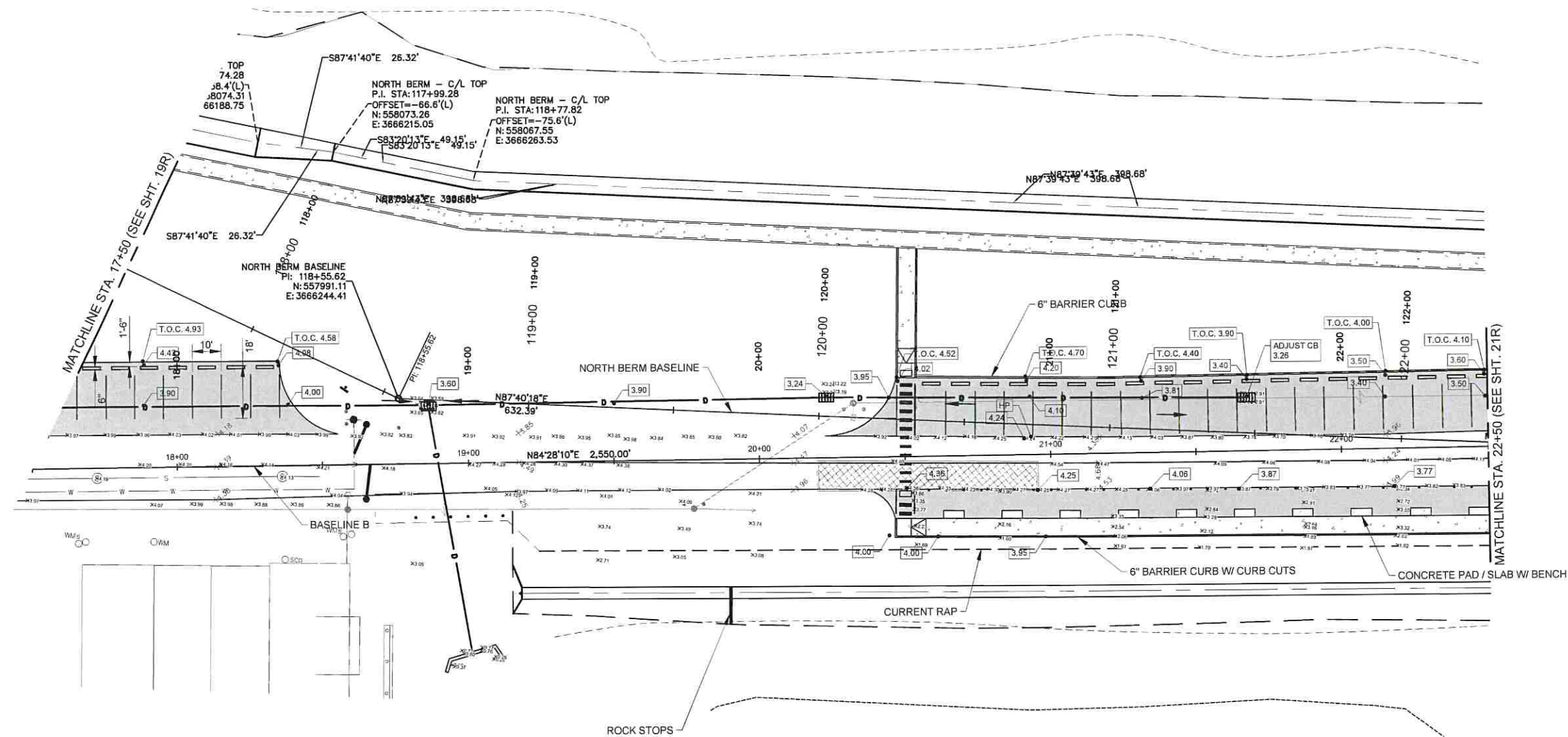
**ALL SOUTH CONSULTING ENGINEERS, L.L.C.**  
 652 PAPERWORTH AVENUE  
 MOBILE, AL 36688  
 (850) 322-2753

DESIGNED BY:	MBS
DATE:	07/01/2021
DRAWN BY:	JNS
SCALE:	AS SHOWN
CHECKED BY:	SCB
JOB NO.:	015-010-01

BREAKWATER DRIVE IMPROVEMENTS  
 CITY OF NEW ORLEANS  
 ORLEANS PARISH, LOUISIANA

BREAKWATER STA 12+50 TO STA 17+50

SHEET NO.  
**19R**



**PRELIMINARY**  
**NOT FOR CONSTRUCTION**  
 DATE: 7-1-21

REVISIONS	
DATE	REMARKS
6/29/21	POINT BREAKWATER DRIVE AND POINT UPGRADES

DESIGNED BY: MBS  
 DATE: 07/01/2021  
 SCALE: AS SHOWN

**AS**  
**ALL SOUTH CONSULTING ENGINEERS, L.L.C.**  
 652 PAPERWORTH AVENUE  
 METairie, LA 70005  
 (504) 322-2783

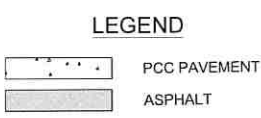
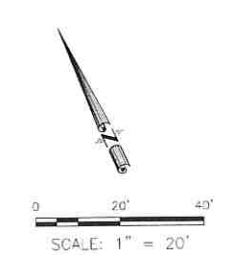
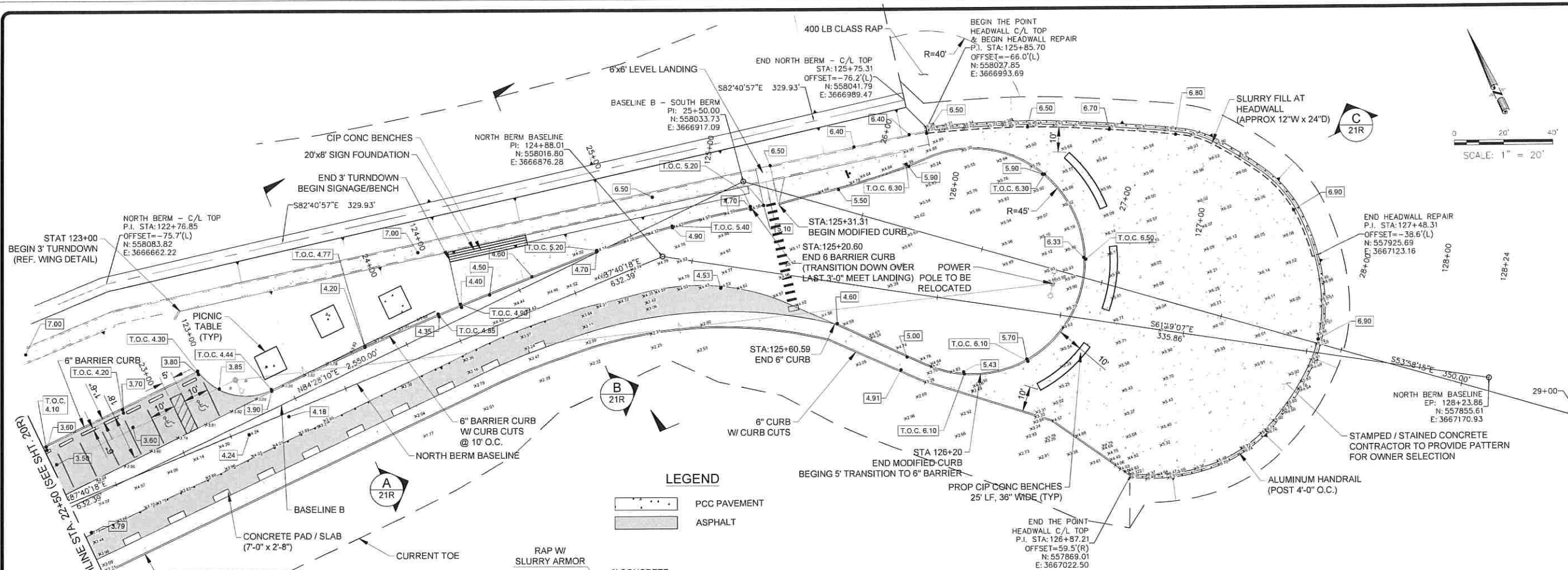
DESIGNED BY:	MBS
DATE:	07/01/2021
DRAWN BY:	JNS
CHECKED BY:	SCB
SCALE:	AS SHOWN
JOB NO.:	015-010-01

BREAKWATER DRIVE IMPROVEMENTS  
 CITY OF NEW ORLEANS  
 ORLEANS PARISH, LOUISIANA

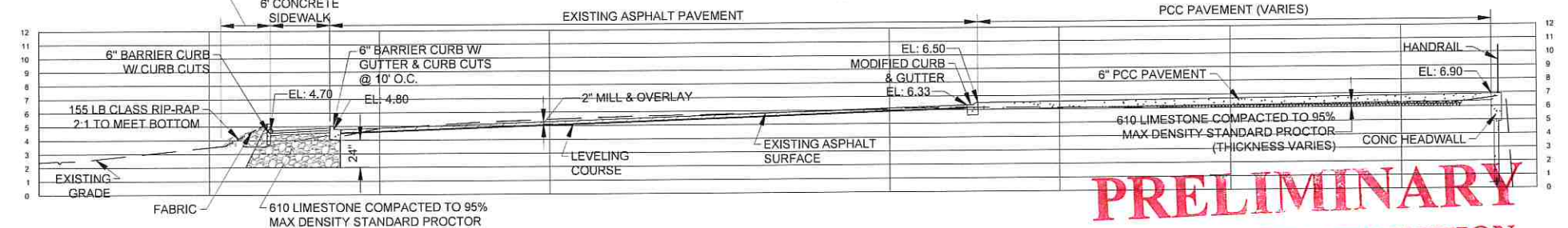
BREAKWATER STA 17+50 TO STA 22+50

SHEET NO.  
**20R**

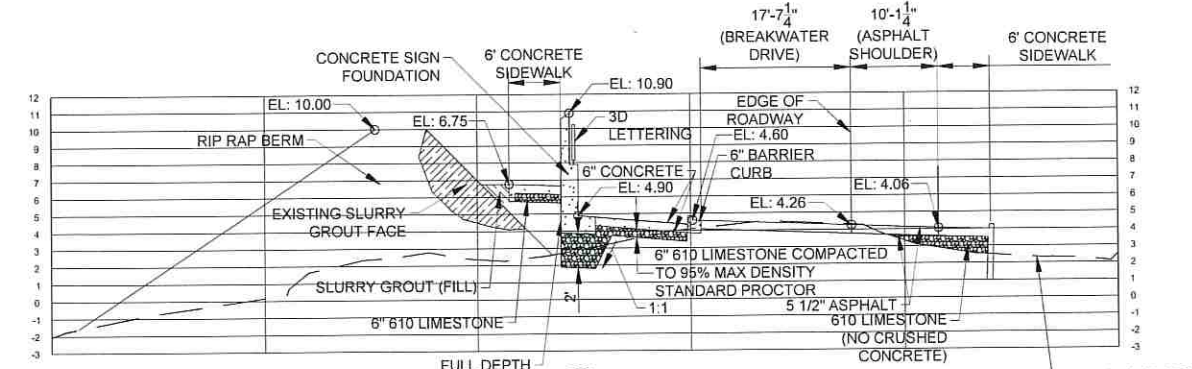
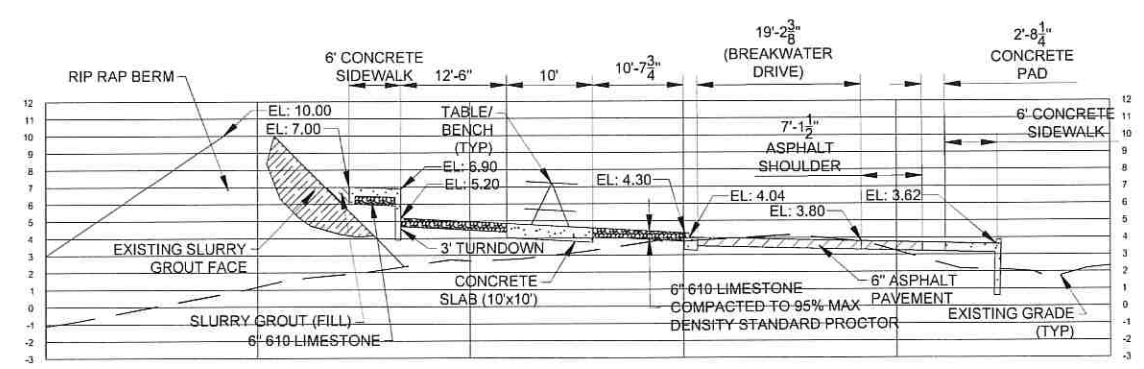




NOTE: PROVIDE 610 LIMESTONE CRUSHED CONCRETE NOT ALLOWED.



**PRELIMINARY**  
**NOT FOR CONSTRUCTION**  
DATE: 7-1-21



REVISIONS	
APPD	MIS
REMARKS:	POINT BREAKWATER DRIVE AND POINT UPGRADES
DATE:	6/7/21

DESIGNED BY:	MBS	DRAWN BY:	JNS	CHECKED BY:	SCB
DATE:	07/01/2021	SCALE:	AS SHOWN	SHEET NO.:	015-010-01

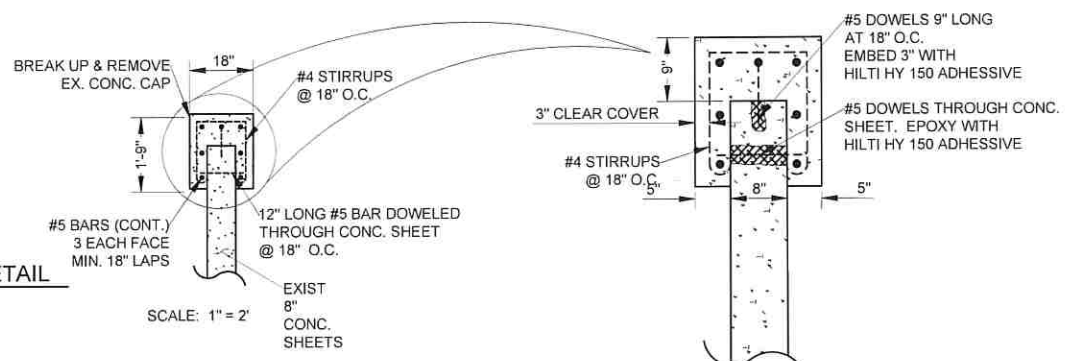
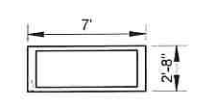
BREAKWATER DRIVE IMPROVEMENTS	
CITY OF NEW ORLEANS	
ORLEANS PARISH, LOUISIANA	
BREAKWATER STA 22+50 TO STA 28+00	

SHEET NO. **21R**



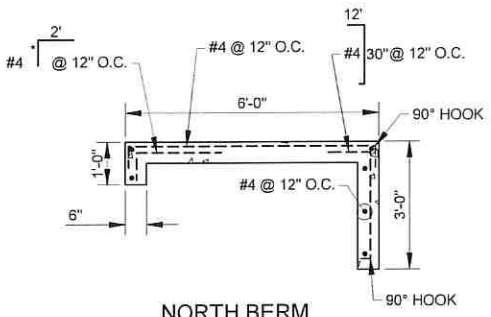
TYPICAL BENCH FOUNDATION DETAIL  
SCALE: 1" = 5'



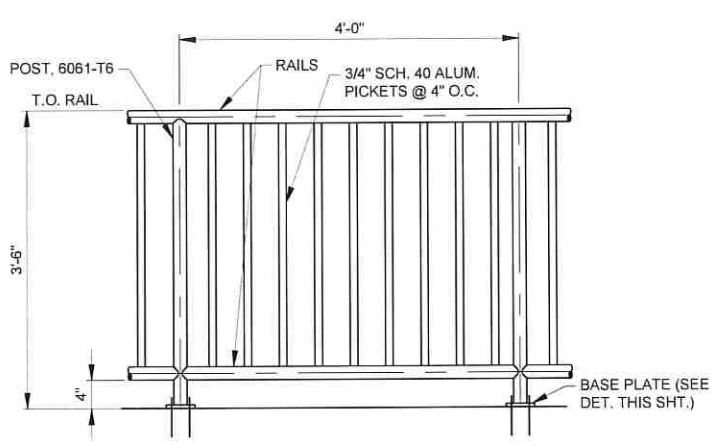
SCALE: 1" = 2'

SCALE: 1" = 1'

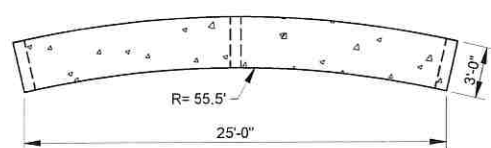
5 THE POINT-TYPICAL HEADWALL REPAIR DETAILS  
SCALE: AS SHOWN



NORTH BERM SIDEWALK SECTION  
SCALE: 1" = 2'

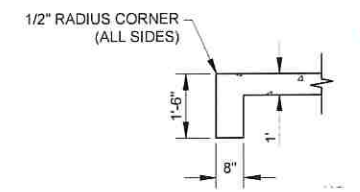


TYPICAL HANDRAIL DETAIL  
SCALE: 1" = 1'-0"

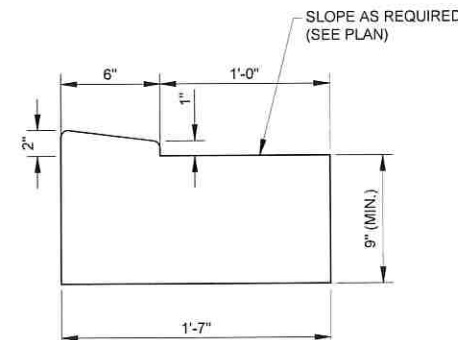


TYPICAL C.I.P. CONCRETE BENCH DETAIL  
SCALE: 1" = 5'

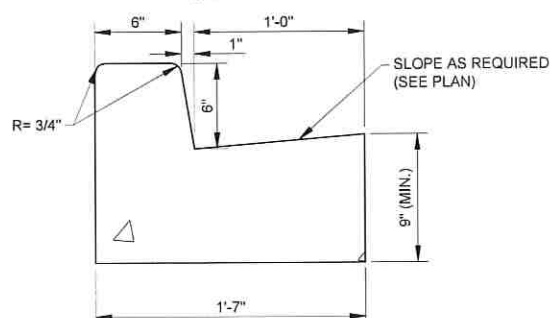
**PRELIMINARY**  
**NOT FOR CONSTRUCTION**  
DATE: 7-1-21



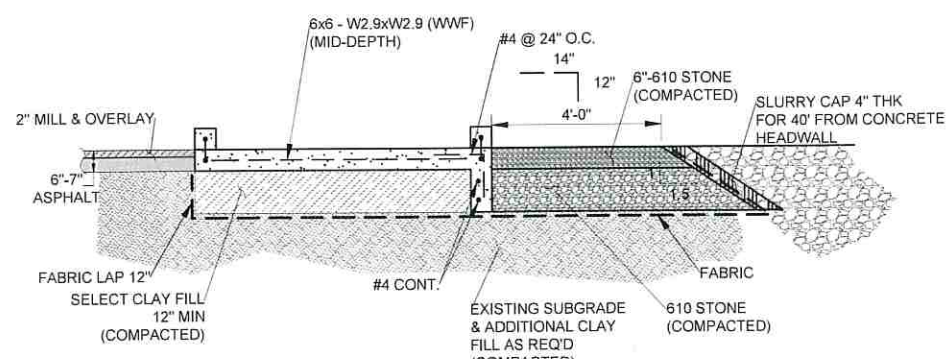
TYPICAL C.I.P. CONCRETE BENCH SECTION  
SCALE: 1" = 2'



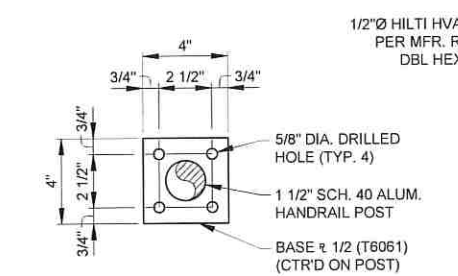
TYPICAL MODIFIED BARRIER CURB AND GUTTER DETAIL  
SCALE: 1" = 6"



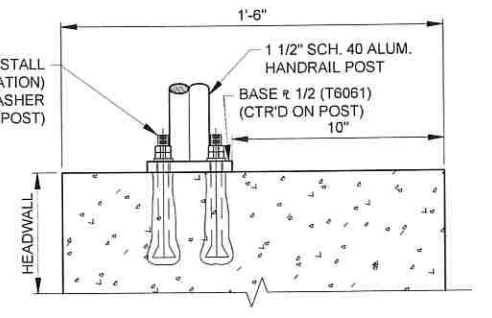
6" HIGH BARRIER TYPE CURB AND GUTTER  
SCALE: 1" = 6"



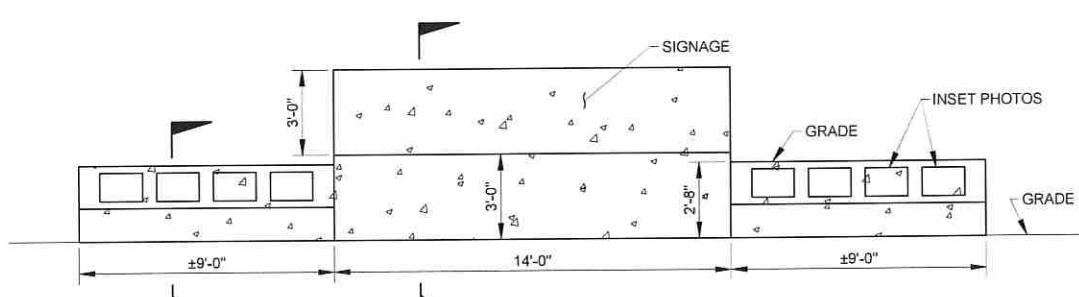
4 THE POINT-SHOULDER REPAIR DETAIL  
SCALE: 1:2



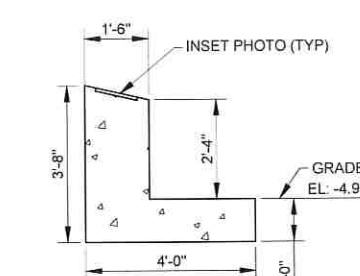
TYP. HANDRAIL BASE PLATE  
SCALE: 3" = 1'-0"



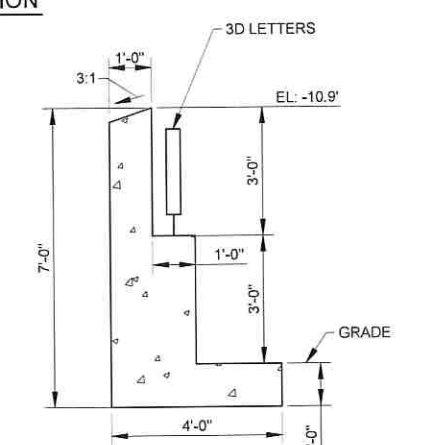
TYP. HANDRAIL BASE PLATE SECTION  
SCALE: 3" = 1'-0"



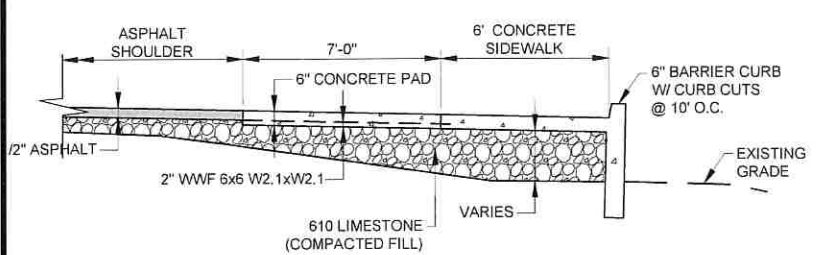
CONCRETE SIGN ELEVATION  
SCALE: 1" = 3'



A SECTION - CONCRETE SIGN  
SCALE: 1" = 2'



B SECTION - CONCRETE SIGN  
SCALE: 1" = 2'



TYPICAL BENCH FOUNDATION DETAIL  
SCALE: 1" = 3'

REVISIONS	DATE	REMARKS	APPD
	6/29/21	POINT BREAKWATER DRIVE AND POINT UPGRADES	MBS

ALL SOUTH CONSULTING ENGINEERS, L.L.C.  
852 PINEWORTH AVENUE  
METairie, LA 70008  
(504) 322-2783

DESIGNED BY	DRAWN BY	CHECKED BY
MBS	JNS	SCB

DATE	SCALE	JOB NO.
07/01/2021	AS SHOWN	015-010-01

BREAKWATER DRIVE IMPROVEMENTS  
CITY OF NEW ORLEANS  
ORLEANS PARISH, LOUISIANA

NORTH BERM & THE POINT DETAILS

SHEET NO. 33.0

ARAGAN - 7/1/2021 2:58:37 PM