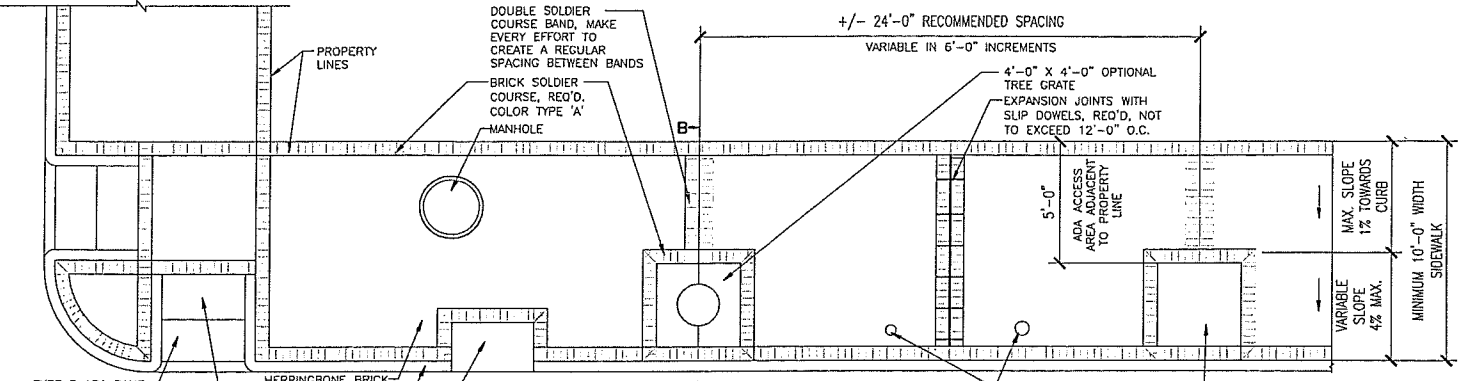
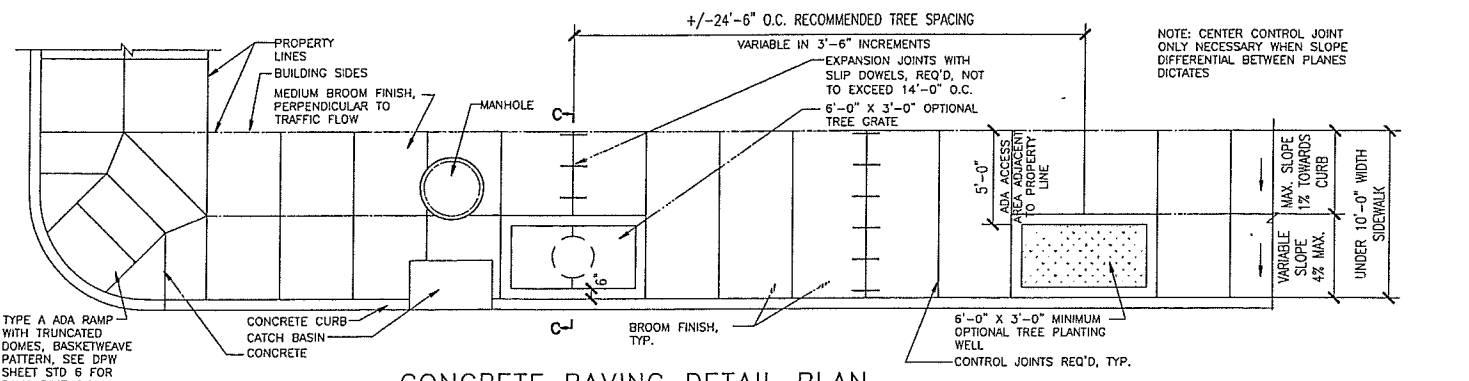


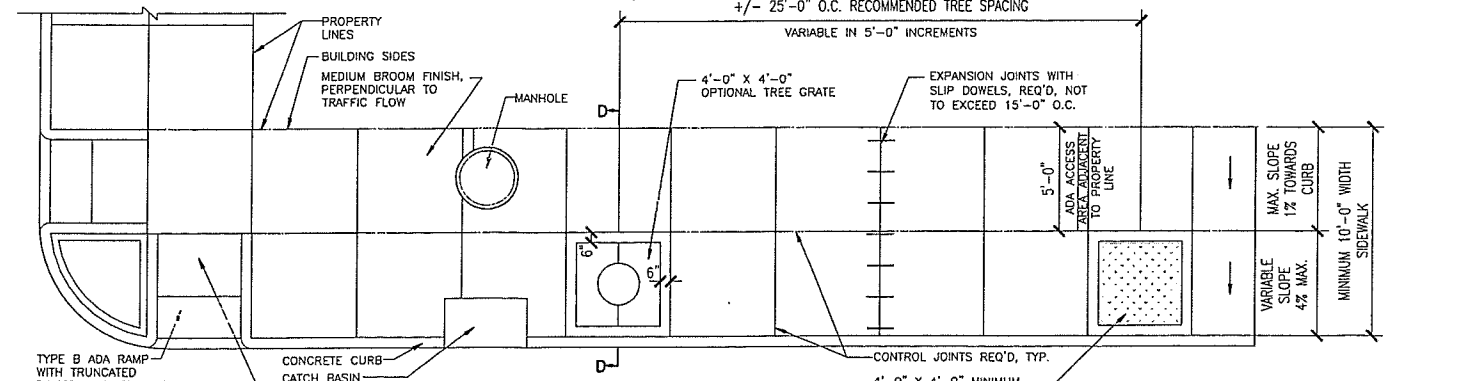
BRICK PAVING DETAIL PLAN
CATEGORY "A" SIDEWALK- UNDER 10' WIDTH
 SCALE 1/4"=1'-0"



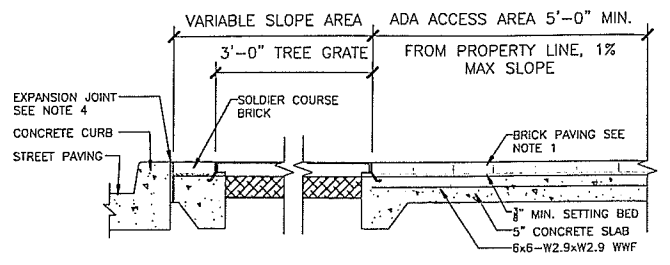
BRICK PAVING DETAIL PLAN
CATEGORY "A" SIDEWALK- MIN. 10' WIDTH
 SCALE 1/4"=1'-0"



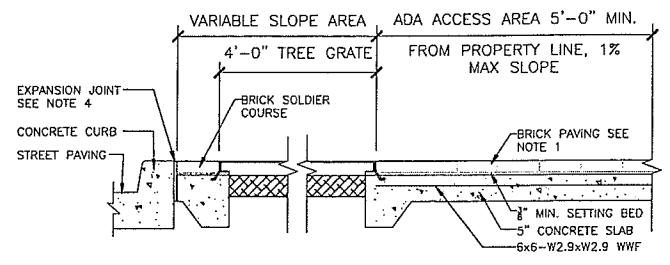
CONCRETE PAVING DETAIL PLAN
CATEGORY "B" SIDEWALK- UNDER 10' WIDTH
 SCALE 1/4"=1'-0"



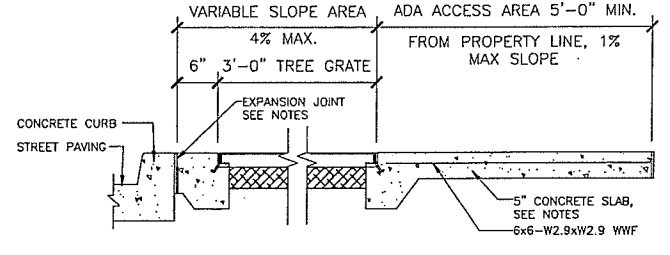
CONCRETE PAVING DETAIL PLAN
CATEGORY "B" SIDEWALK- MIN. 10' WIDTH
 SCALE 1/4"=1'-0"



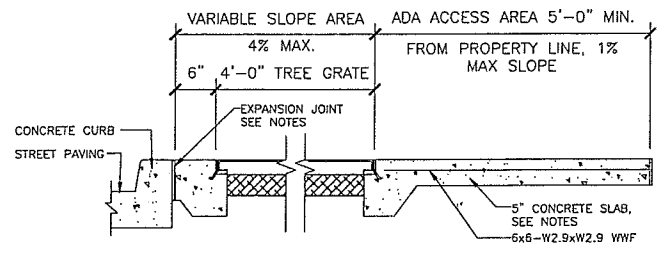
SECTION A-A
 SCALE 3/4"=1'-0"



SECTION B-B
 SCALE 3/4"=1'-0"





SECTION C-C
 SCALE 3/4"=1'-0"



SECTION D-D
 SCALE 3/4"=1'-0"

GENERAL NOTES:

- BRICK PAVING SHALL BE HERRINGBONE PATTERN. BRICKS SHALL BE HARD FIRED WITH A NON-SLIP FINISH. BRICKS USED SHALL HAVE A WIDTH THAT IS HALF OF ITS LENGTH AND LAYED WITH MORTARED JOINTS.
- ALL CONCRETE SIDEWALKS TO BE 5" THICK AND SHALL RECEIVE BROOM FINISH 90° TO DIRECTION OF PEDESTRIAN TRAFFIC AND RECEIVE CONTROL JOINTS AS INDICATED.
- EXPANSION JOINTS IN BRICK PAVING TO BE FULL DEPTH OF CONCRETE SLAB AND SETTING BED. TOP THICKNESS OF BRICK TO BE CAULKED WITH SILICONE FILLER TO MATCH COLOR OF BRICK AT EXPANSION JOINTS.
- EXPANSION JOINTS IN CONCRETE PAVING TO BE 1" PREMOULDED BITUMINOUS COMPOSITION STRIPS. TOP 1/2" OF JOINT TO BE CAULKED WITH SILICONE FILLER, LIGHT GRAY IN COLOR, EXPANSION JOINT TO BE DEPTH OF CONCRETE SLAB.
- SIDEWALK TO DRAIN AWAY FROM BUILDINGS TOWARDS CURB WITH SUFFICIENT SLOPE TO CREATE POSITIVE DRAINAGE.
- EITHER OF THE ACCESSIBLE RAMPS (TYPE 'A' OR 'B') SHOWN MAY BE USED, DEPENDANT ON EXISTING CONDITIONS, UTILITIES AND OTHER RAMPS AT THE CORNER.
- ALL HANDICAP RAMPS SHOULD INCLUDE DETECTABLE WARNING AND BE CONSTRUCTED IN ACCORDANCE WITH THE DEPARTMENT OF PUBLIC WORKS STANDARD PLAN AND THE LATEST ADA REQUIREMENTS.
- DETECTABLE WARNINGS SHALL BE HARD FIRED CLAY BRICKS WITH TRUNCATED DOMES THAT VISUALLY CONTRAST IN COLOR WITH SURROUNDING AREA AS PER DDD STANDARDS.
- IF REPAIRS MUST BE MADE CONTRACTOR TO REMOVE CONCRETE WITHIN CONTROL JOINT LINES TO MAINTAIN THE PATTERNING ON THE WALK.
- STONE PAVING (AS SHOWN ON STD18) SHALL BE LAYED IN CONTINENTAL PAVING PATTERN. A MINIMUM OF THREE WIDTHS OF STONE, VARYING BY 4" IN WIDTH REQUIRED. NO STONES OF THE SAME WIDTH ALLOWED SIDE BY SIDE. STONE SHALL BE A MINIMUM OF 1" THICKNESS AND HAVE A NON-SLIP FINISH. MORTAR JOINTS SHALL BE 1/4" TO 1/2" FLUSH WITH SURFACE.

	<p>CITY OF NEW ORLEANS DEPARTMENT OF PUBLIC WORKS ENGINEERING DIVISION</p>	
<p>BRICK, STONE & CONCRETE SIDEWALK & MISCELLANEOUS DETAILS FOR CONSTRUCTION IN THE DOWNTOWN DEVELOPMENT DISTRICT</p>		
<p>THE SELECTION AND USE OF THESE DETAILS, WHILE DESIGNED IN ACCORDANCE WITH GENERALLY ACCEPTED ENGINEERING PRINCIPLES AND PRACTICES, IS THE SOLE RESPONSIBILITY OF THE USER AND SHOULD NOT BE USED WITHOUT CONSULTING A LOUISIANA REGISTERED PROFESSIONAL ENGINEER.</p>	<p>DESIGNED BY: R. PERDUE</p> <p>CHECKED BY: M.T. BY, R.S. H.H. AY.</p> <p>DATE: 12-18-2008</p>	<p>RECOMMENDED BY: NGUYEN D. PHAN, CHIEF ENGINEER</p> <p>APPROVED: ROBERT C. MENDOZA, DIRECTOR</p>
<p>DRAWING No. STD17</p>		<p>DATE: _____</p>