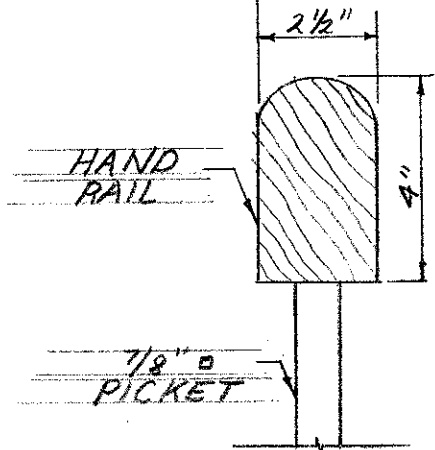
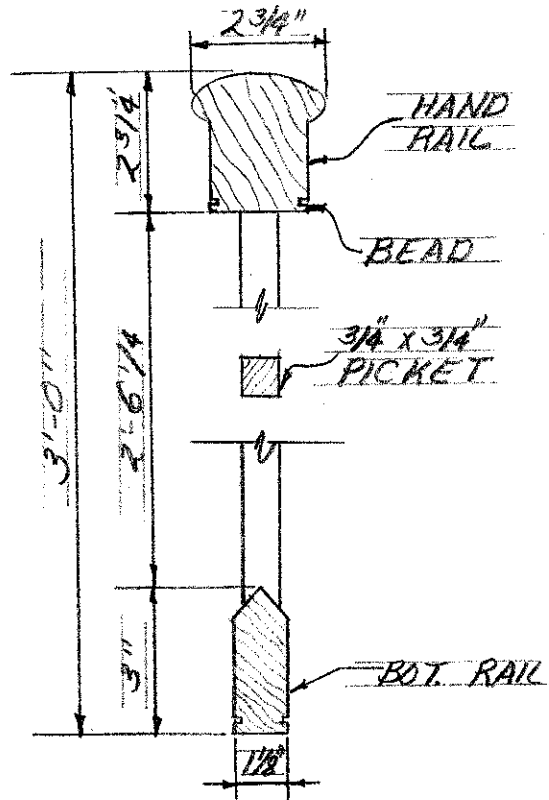


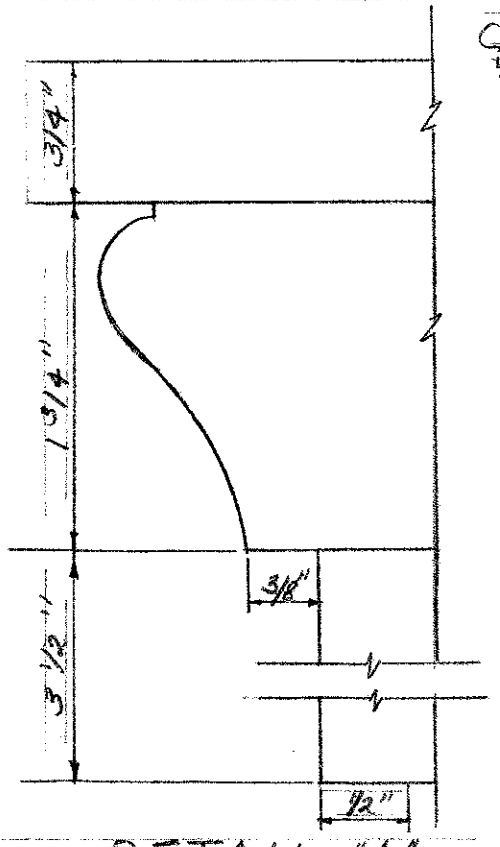
HAND RAIL N^o1
SCALE: 3/4" = 1'-0"



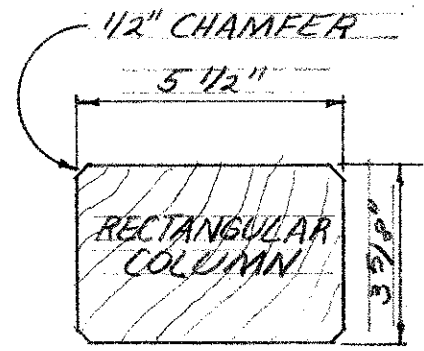
HAND RAIL N^o2
SCALE: 3/4" = 1'-0"



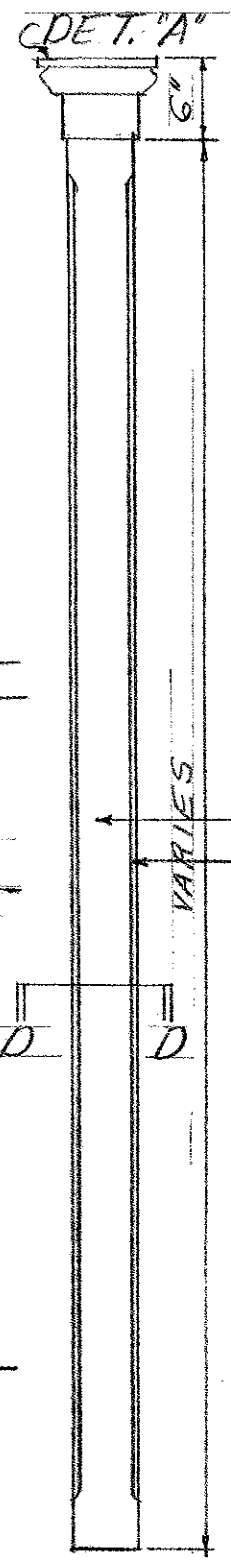
HAND RAIL N^o3
SCALE: 3/4" = 1'-0"



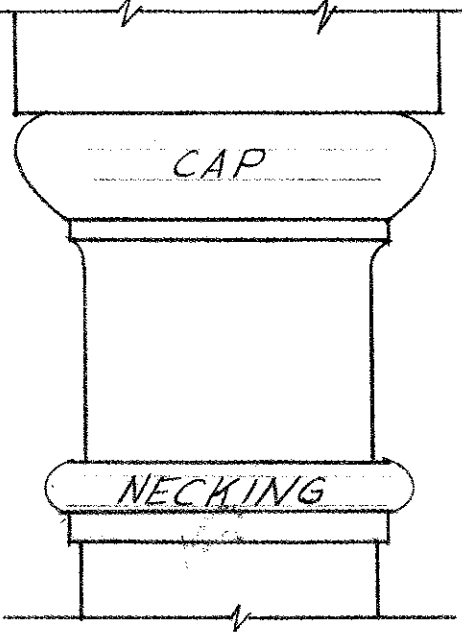
DETAIL "A"
FULL SIZE



SECTION D-D
SCALE: 3/4" = 1'-0"

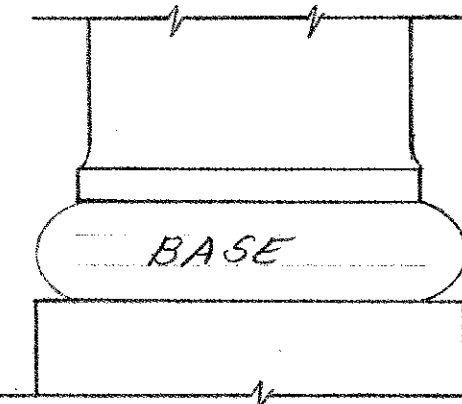


COLUMN #1
SCALE: 3/4" = 1'-0"

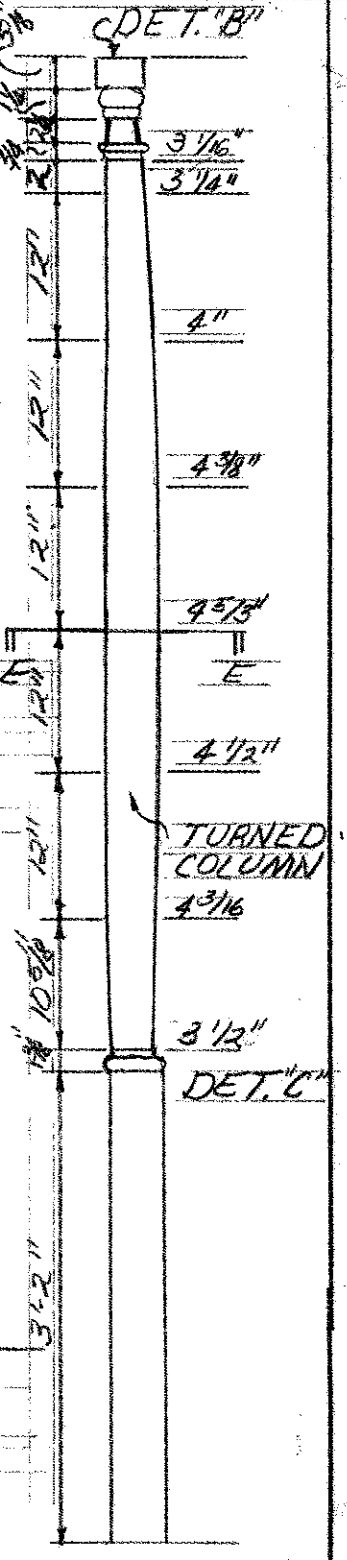


DETAIL "B"
SCALE: 1/2" FULL SIZE

4" x 6" RECTANGULAR COL.
CHAMFER CORNERS

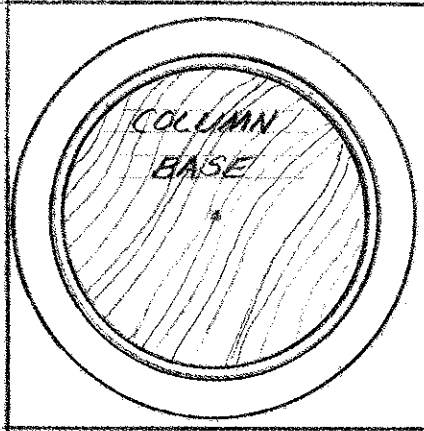


DETAIL "C"
SCALE: 1/2" FULL SIZE

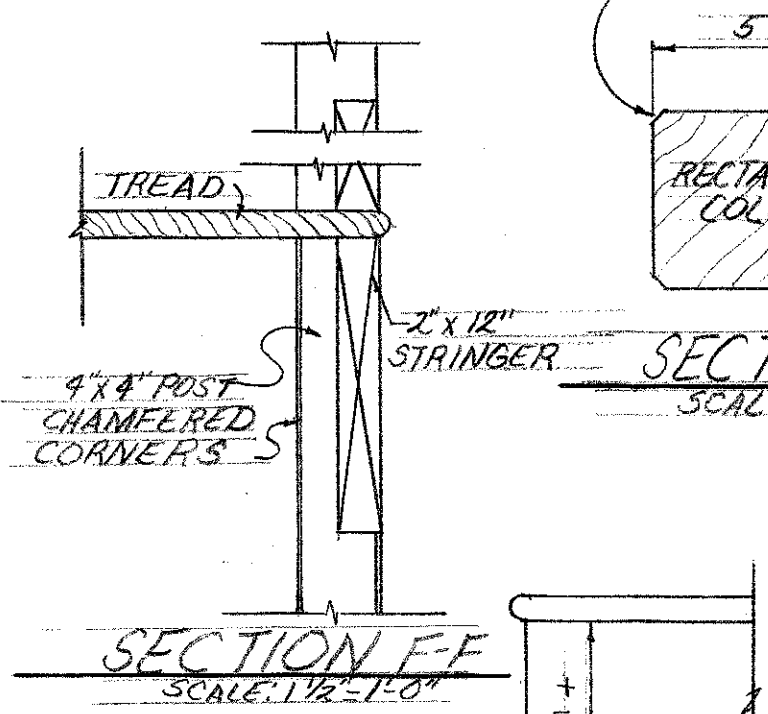
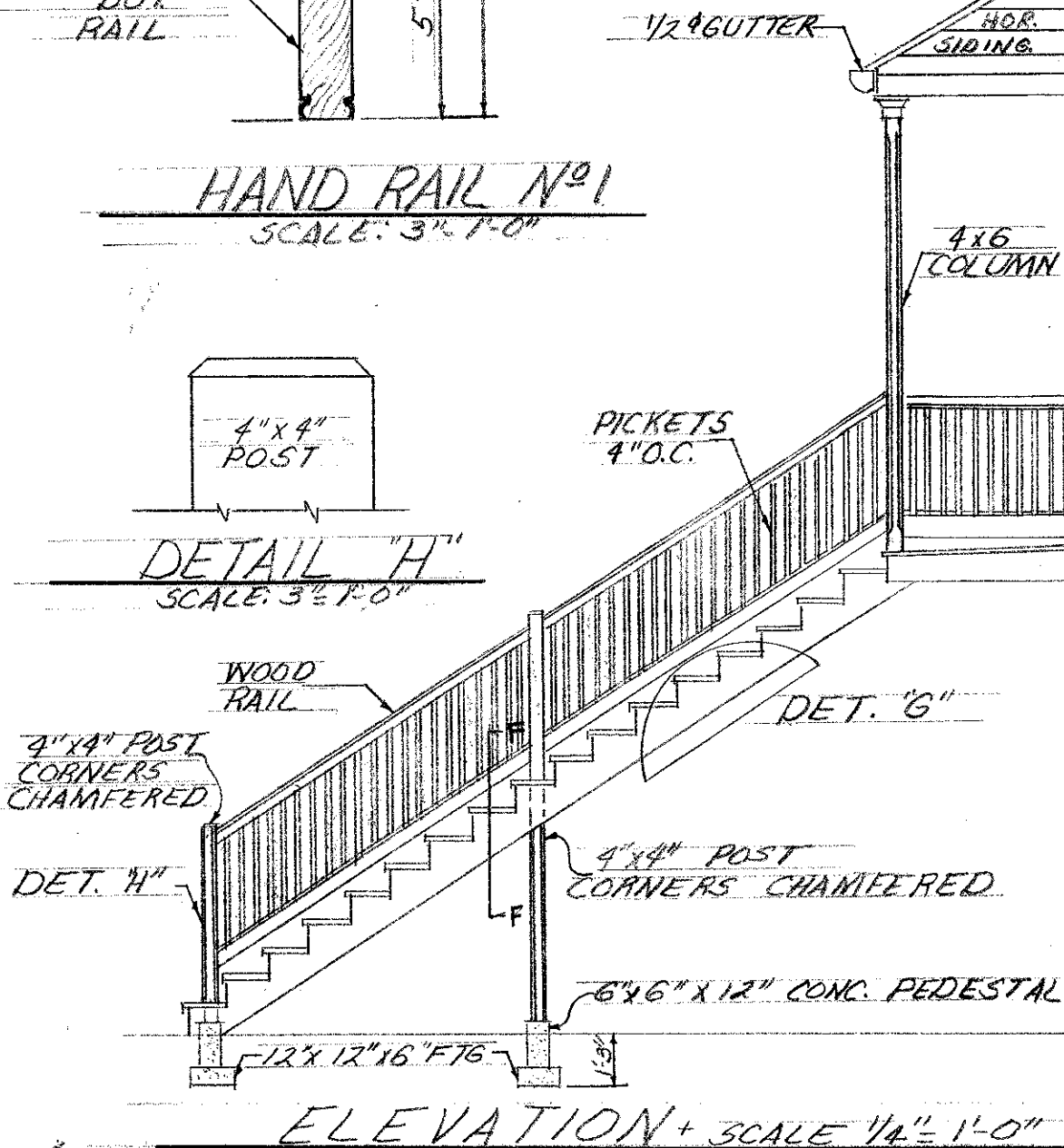


COLUMN #2
SCALE: 3/4" = 1'-0"

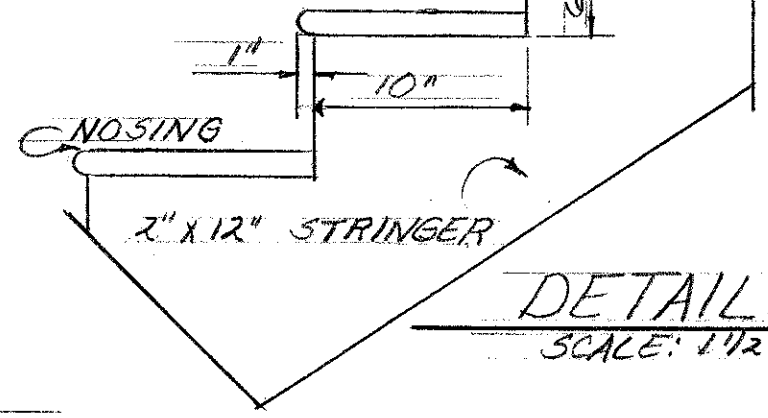
SECTION E-E
SCALE: 1/2" FULL SIZE



WOOD GALLERY DETAILS
SHEET N^o 11
VIEUX CARRÉ COMMISSION



SECTION F-F
SCALE: 1 1/2" = 1'-0"



DETAIL "G"
SCALE: 1 1/2" = 1'-0"