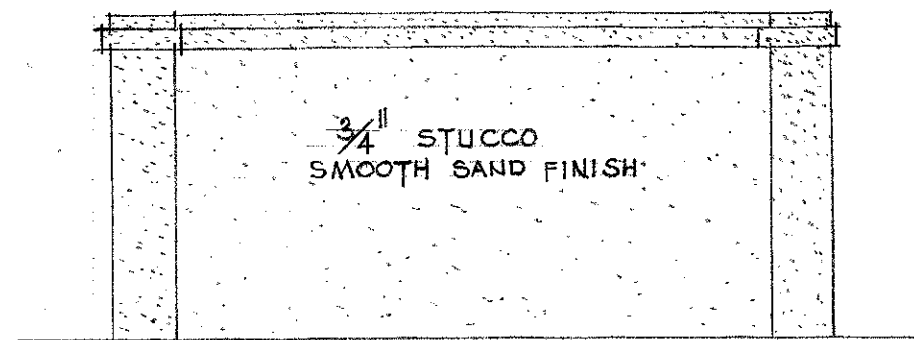
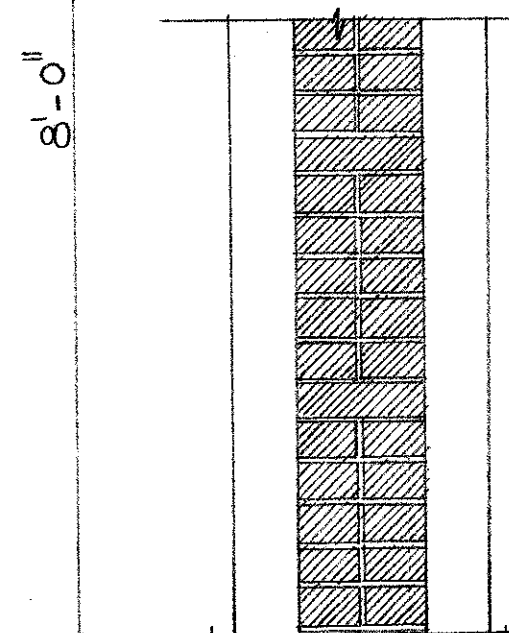
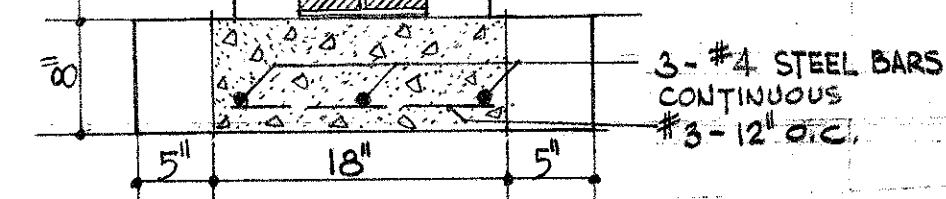


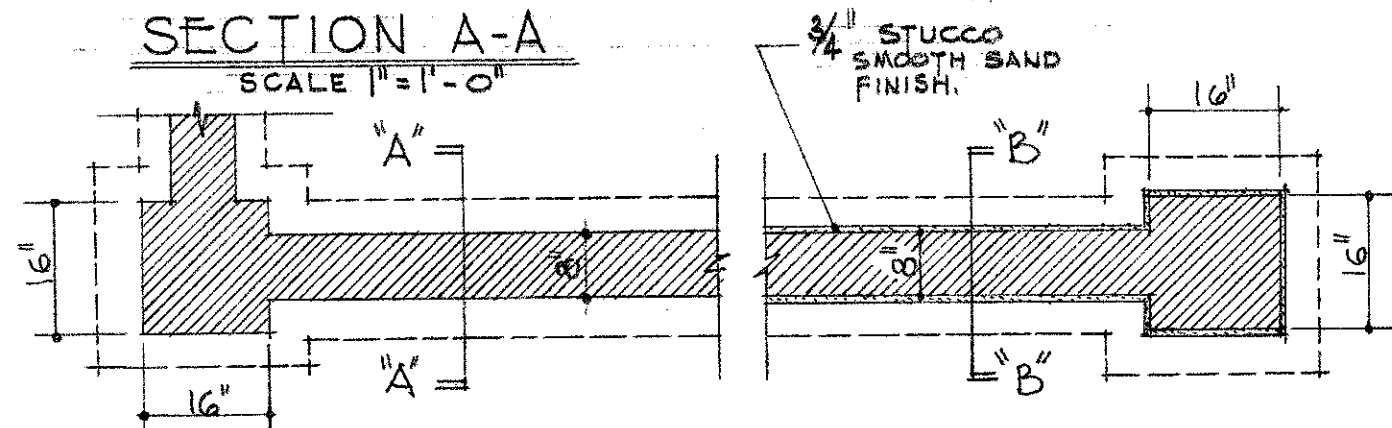
ELEVATION BRICK WALL
SCALE: 1/4" = 1'-0"



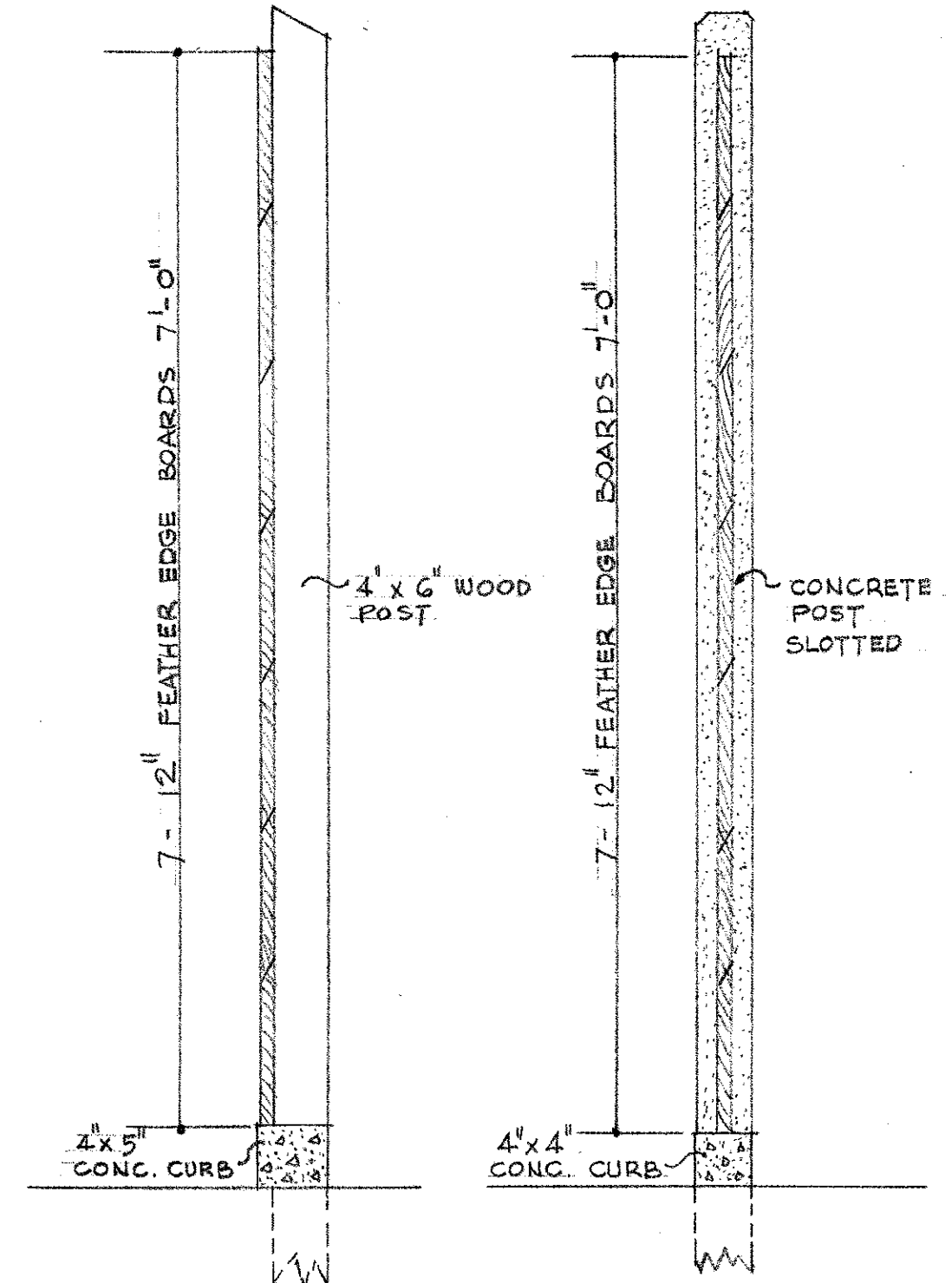
ELEVATION STUCCO WALL
SCALE: 1/4" = 1'-0"



SECTION A-A
SCALE: 1" = 1'-0"

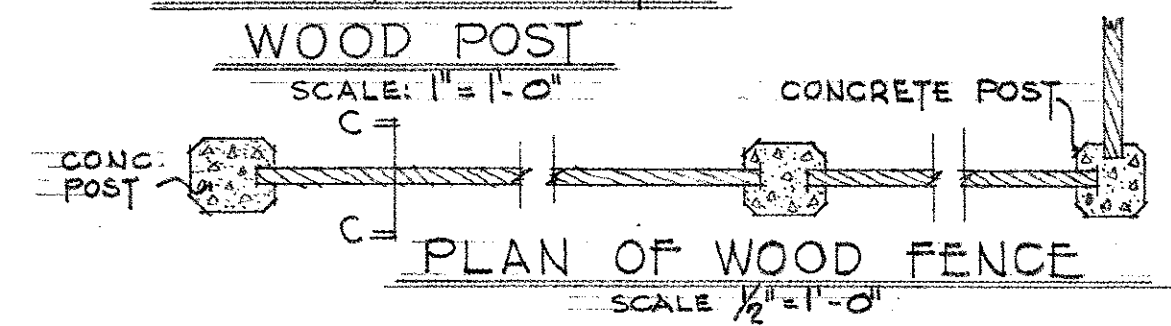


PLAN OF BRICK & STUCCOED BRICK WALL
SCALE: 1/2" = 1'-0"



SECTION THRU WOOD FENCE WITH WOOD POST
SCALE: 1" = 1'-0"

SECTION C-C
SCALE: 1" = 1'-0"



FENCE DETAILS
SHEET NO 20
VIEUX CARRE COMMISSION 1/12/63